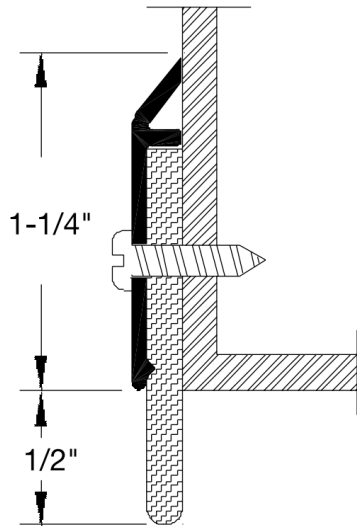


DOOR BOTTOMS- DOOR BOTTOM SWEEP/WEATHERSTRIP - WT-323

Used as a door bottom sweep or weatherstrip to seal the perimeter of doors. The WT-323 has a black neoprene insert.



SPECIFICATIONS:

Material: 6063-T5 Aluminum

Standard Finish: Mill

Insert: Black neoprene

Fasteners: Zinc-plated steel #6 x 5/8" Phillips pan head self-tapping sheet metal screws, use 7/64" drill bit (6" hole spacing)

Sizes:

Minimum: 6"

Maximum: 184"

Order size listed is exact cut size

TESTING:

Fire Rated: UL Classified per UL10B, CAN/ULC-S104, UL10C for use on listed steel frames and/or classified hollow metal and steel covered composite type fire doors rated 3 hours, wood composite to 1-1/2 hours, wood core type rated 20 min without hose stream.

Smoke and Draft Control: UL classified UL10C and UL 1784 Air Leakage

OPTIONS:

Material Finishes: Black anodized aluminum, clear anodized aluminum, dark bronze anodized aluminum, stainless steel

Fasteners: #6 Tek screws (self-drilling, self-tapping)

Interpretation of fire and building codes may vary. Consult with the local authority having jurisdiction (AHJ) to determine appropriate standards.


MADE-TO-ORDER DOOR BOTTOM SWEEP/WEATHERSTRIP EXAMPLE: WT-323A-36

QTY	MODEL	SERIES	MATERIAL	SIZES	OPTIONS																			
	WT-323	Door bottom sweep/weatherstrip	<table border="1"> <tr><td>A</td><td>Mill aluminum - Std.</td></tr> <tr><td>BLK</td><td>Black anodized alum</td></tr> <tr><td>C</td><td>Clear anodized alum</td></tr> <tr><td>D</td><td>Dark bronze anodized alum</td></tr> <tr><td>SS</td><td>Stainless steel</td></tr> </table>	A	Mill aluminum - Std.	BLK	Black anodized alum	C	Clear anodized alum	D	Dark bronze anodized alum	SS	Stainless steel	<table border="1"> <tr><td>36</td><td>36"</td></tr> <tr><td>42</td><td>42"</td></tr> <tr><td>48</td><td>48"</td></tr> </table>	36	36"	42	42"	48	48"	<table border="1"> <tr><td>(None)</td></tr> <tr><td>TK</td><td>TEK screws</td></tr> </table>	(None)	TK	TEK screws
A	Mill aluminum - Std.																							
BLK	Black anodized alum																							
C	Clear anodized alum																							
D	Dark bronze anodized alum																							
SS	Stainless steel																							
36	36"																							
42	42"																							
48	48"																							
(None)																								
TK	TEK screws																							

COMMON MODELS

Qty	Model	Description
	WT-323A-36	36" alum mill
	WT-323C-36	36" clear anodized
	OTHER	Specify below:

It is the responsibility of the customer to communicate specifications and product performance requirements that are needed for their application. This document is intended to convey potential product configurations and offerings. It is not to be used to imply or represent a specification or rating of finished products shipped. Detailed, specific submittals can be created upon request. It is the responsibility of the customer to specify product accordingly to comply with local laws, codes, and ordinances.

 <p>AIR LOUVERS</p> <p>9702 Newton Ave S. Bloomington, MN 55431 Many Locations Nationwide</p>	<p>800-554-6077</p> <p>sales@activarcpg.com</p> <p>www.activarcpg.com</p>	<p>Distributor:</p>	<p>Project:</p>
		<p>Contractor:</p>	<p>Approved By:</p>
		<p>Date:</p>	<p>Architect:</p>
	<p>Scale: N/A</p>	<p>Pages: 1 of 1</p>	<p>Item #:</p>