

# SUBMITTAL: 1400 LIFESTART® SERIES AED CABINET—BRONZE & BRASS

Our 1400 Series in Bronze and Brass Complements your Building Décor. Protect valuable Automated External Defibrillators (AED's) with durable Lifestart cabinets. Each cabinet is equipped with a 85 dB door alarm to deter tampering.

**Trim Construction:** Bronze (US10 Satin or US10B Satin Oil-Rubbed), Brass (US3 Polished).

**Door:** Bronze or brass formed door, mounted in a 5/8" door stop with pull handle of material matching the finish, roller catch and continuous hinge. Theft-deterrent SAF-T-LOK™ available.

**Alarm:** 85 db Commander (audible) alarm standard with keyed on/off switch on the door.

**Trim Style & Depth:** *Recessed* – 3/8" flat trim, *Semi-Recessed* – 1-1/2" square edge, *Surface-Mount* square edge.

**Tub:** White powder-coated CRS, or matching material for surface-mount models. Fire-rated available - See Separate Submittal



**1486F12 Semi-Recessed Cabinet  
US10B Finish and  
Silkscreen Graphic**

**STEP 1: SELECT MODEL NUMBER AND QUANTITY ON CHART** (refer to chart on page 2)

A. Determine Trim Style according to wall depth.      B. Determine Tub I.D. according to size most suited for AED and wall opening.

**STEP 2: SELECT DOOR STYLE** Check one box below

- |   |   |
|---|---|
| <input type="checkbox"/> <b>F</b> Full Glazing                | <input type="checkbox"/> <b>W</b> Vertical Duo with SAF-T-LOK |
| <input type="checkbox"/> <b>G</b> Full Glazing with SAF-T-LOK | <input type="checkbox"/> <b>S21</b> Solid Door                |
| <input type="checkbox"/> <b>V</b> Vertical Duo                | <input type="checkbox"/> <b>L22</b> Solid Door with SAF-T-LOK |

**STEP 3: SELECT GLAZING** Check one box below

- |  |   |
|--|---|
| <input type="checkbox"/> <b>12</b> Acrylic | <input type="checkbox"/> <b>17</b> Tempered |
|--|---|

**Note:** Only F12 and G12 Combinations have Large AED Heart Silk Screen Graphics - All Others Include Lettering as Shown on Page 2




**1445F12 Recessed Cabinet  
US10 Satin Bronze Finish and  
Silkscreen Graphic**

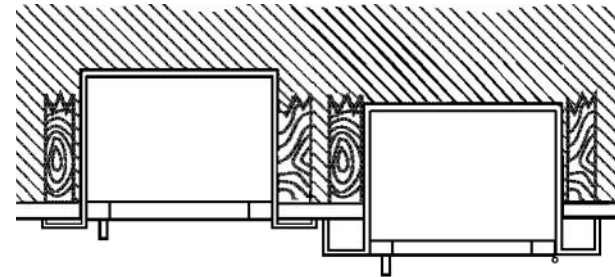
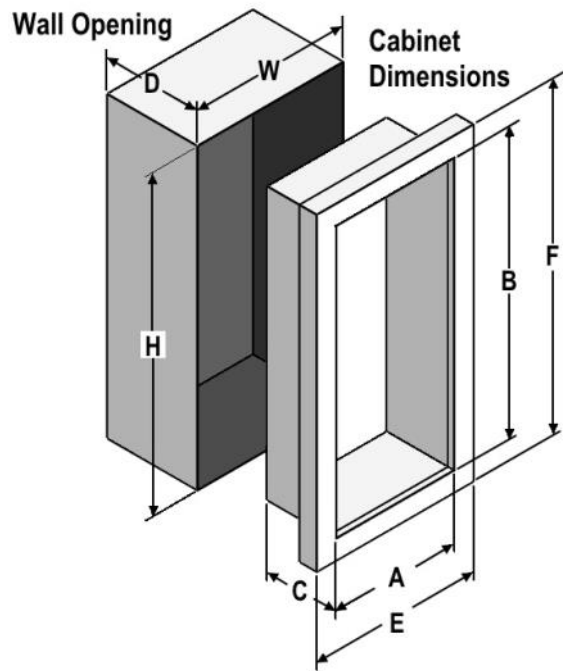
**STEP 4: SELECT OPTIONAL FEATURES AT ADDITIONAL COST:**

- |   |   |
|---|---|
| <input type="checkbox"/> <b>(SA)</b> Siren Strobe Alarm and 110 dB Alarm (3" Trim Models Only)      | <input type="checkbox"/> Wall Signs: __ Flat __ Tent __ Rt Angle __ Bi-Lingual __ Directional<br>(See separate submittal for more details on these plastic signs) |
| <input type="checkbox"/> <b>(STC)</b> Saf-T-Clasp for Visual Notification When Door has been opened | <input type="checkbox"/> Lettering: Etched or Silkscreen on Glass, Custom Vinyl   |
| <input type="checkbox"/> <b>(14MAG)</b> Magnetic Door Contact for Existing Alarm Systems            | Check above box and attach separate submittal to order  |
| <input type="checkbox"/> <b>(14RR)</b> Roller Reed Ball Contact for Existing Alarm Systems          | Custom Door Graphics - company logos, photos, etc. Contact C.S  |
| <input type="checkbox"/> US9 Bright Polished Door & Trim. (Pull of Matching Material)               | Automated External Defibrillator sold separately - see website  |
| <input type="checkbox"/> US4 Satin Brass Door & Trim (Pull of Matching Material)                    |   |

Examples of Brass & Bronze Finishes can be Viewed on our Website

It is the responsibility of the customer to communicate specifications and product performance requirements that are needed for their application. This document is intended to convey potential product configurations and offerings. It is not to be used to imply or represent a specification or rating, of finished products shipped. Detailed, specific submittals can be created upon request. It is the responsibility of the customer to specify product accordingly to comply with local laws, codes, and ordinances.

 <b>JL INDUSTRIES</b>  9702 Newton Av S. Bloomington, MN 55431   Many Locations Nationwide	800-554-6077 sales@activarcpg.com www.activarcpg.com	Distributor:	Project:
		Contractor:	Approved By:
	Date:	Quantity:	Architect:
	Scale: N/A	Pages: 1 of 2	Item #



**3/8"**  
**Flat Trim**

**1-1/2"**  
**Square Trim**

AED die cut (1-1/4" x 5-3/8") and Warning decal (3/4" x 3-1/2") included with all cabinets except F12 and G12



TRIM & DOOR MATERIAL & SERIES #							TUB I.D.			FRAME O.D.		WALL OPENING NON-RATED		
QTY	BRONZE US10	QTY	BRONZE US10B	QTY	BRASS US3	TRIM STYLE	A	B	C	E	F	W	H	D
	1445		1485		1455	Flat Trim	14"	14"	6-3/4"	17-3/8"	17-3/8"	15-1/4"	15-1/4"	6-5/8"
	1446		1486		1456	1-1/2" Square Trim	14"	14"	6-3/4"	17-3/8"	17-3/8"	15-1/4"	15-1/4"	5-3/8"
	1443		1483		1453	Surface-Mount Sq.	17-3/16"	17-3/16"	7"	17-3/8"	17-3/8"	—	—	—