

SUBMITTAL: 1400 FIRE-FX2™ LIFESTART™ FIRE-RATED AED CABINET

Protect valuable Automated External Defibrillators (AED's) with durable Lifestart cabinets. Each cabinet is equipped with a 85 dB door alarm to deter tampering. This series in steel, stainless steel or aluminum fits most AED's on the market

Frame, Trim and Door: #4 brushed stainless steel, clear anodized aluminum or steel with white powder-coat finish. 5/8" door stop and continuous hinge.

Trim Style & Depth: Recessed – 3/8" flat trim; Semi-Recessed – 1-1/2" square edge; 3 or 4" rolled edge (4" has recessed pull).

Door: Formed door with zinc-plated handle and roller catch for F and S21 models. Theft-deterrent SAF-T-LOK™ available on G and L22 models.

Tub: White powder-coated steel. Fire-resistant material is attached to the exterior of the tub.

Alarm: 85 dB Commander (audible) alarm standard with keyed on/off switch on the door.

Fire Rating: Fire-FX2™ cabinets are UL listed and labeled as an approved membrane penetration firestop system for up to 2 hours in accordance with UL 1479 (ASTM-E814) and CAN/ULC-S115, when properly installed in a wall assembly according to installation instructions.



1417F12FX2 Semi-Recessed Cabinet with 3" Rolled Trim & Silkscreen AED Graphic



1435F12FX2 Fully-Recessed Stainless Steel Cabinet with Flat Trim & Silkscreen AED Graphic

STEP 1: SELECT MODEL NUMBER AND QUANTITY ON CHART (refer to chart on page 2)

A. Determine Trim Style according to wall depth. B. Determine Tub I.D. according to size most suited for contents and wall opening.

STEP 2: SELECT DOOR STYLE Check one box below

- | | |
|---|---|
| <input type="checkbox"/> F Full Glazing | <input type="checkbox"/> W Vertical Duo with SAF-T-LOK |
| <input type="checkbox"/> G Full Glazing with SAF-T-LOK | <input type="checkbox"/> S21 Solid Door |
| <input type="checkbox"/> V Vertical Duo | <input type="checkbox"/> L22 Solid Door with SAF-T-LOK |

STEP 3: SELECT GLAZING Check one box below

- | | |
|--|---|
| <input type="checkbox"/> 12 Acrylic | <input type="checkbox"/> 17 Tempered |
|--|---|

Note: Only F12 and G12 combinations have large AED heart silk screen graphics - All others include AED diecut lettering as shown below

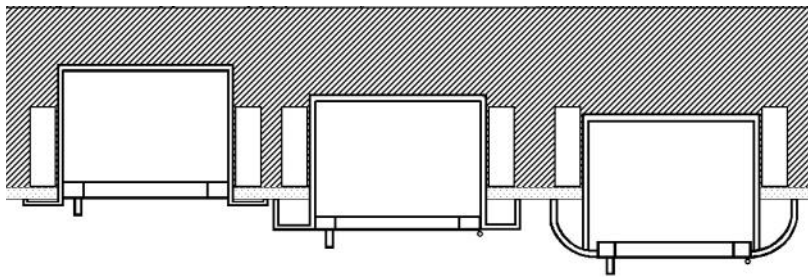
STEP 4: SELECT OPTIONAL FEATURES AT ADDITIONAL COST

- | | |
|--|---|
| <input type="checkbox"/> (SA) Siren Strobe Alarm 110 dB Alarm (3" & 4" Trim Models Only) | <input type="checkbox"/> Optional Color: _____ See page 2 for colors. |
| <input type="checkbox"/> (STC) Saf-T-Clasp for Visual Notification When Door has been opened | <input type="checkbox"/> Wall Signs: __ Flat __ Tent __ Rt Angle __ Bi-Lingual __ Directional
(See separate submittal for more details on these plastic signs) |
| <input type="checkbox"/> (14MAG) Magnetic Door Contact for Existing Alarm Systems | <input type="checkbox"/> Etched, Silkscreen or Engraved Lettering - Check here and attach separate submittal |
| <input type="checkbox"/> (14RR) Roller Reed Ball Contact for Existing Alarm Systems | Custom Door Graphics - company logos, photos - Contact Cust. Service |
| <input type="checkbox"/> Optional Dark Bronze Anodized Aluminum Finish (Pulls painted to match) | Bronze or Brass Finish - See separate submittal on website. |
| <input type="checkbox"/> Optional Stainless Steel Finishes __ #6 __ #7 View Finishes Online | Automated External Defibrillator sold separately - see website |
| <input type="checkbox"/> Optional Tub Color: __ Black __ Red | See website for more information on the above options. |
| <input type="checkbox"/> Optional Stainless Tub for Stainless Trim Models | |
| <input type="checkbox"/> (PRH) Flush Pull Handle (Includes AED die cut and decal shown below) | |
| <input type="checkbox"/> (PUCH) Polished Chrome Handle | |

AED die cut (1-1/4" x 5-3/8") and Warning decal (3/4" x 3-1/2") included with all cabinets except F12 and G12



	Distributor:	Quantity:
	Contractor:	Approved By:
	Model #:	Architect:
	Project:	Date: © 2023 Activar Construction Products Group, Inc
HEADQUARTERS: 9702 NEWTON AV S, BLOOMINGTON, MN 55431 PH: 800-554-6077 EMAIL: SALES@ACTIVARCPG.COM WWW.ACTIVARCPG.COM MANUFACTURING: COMMERCE, CA & BLOOMINGTON MN • WAREHOUSES: SEE MULTIPLE US WAREHOUSE LOCATIONS ON WEBSITE 8/1/2023		



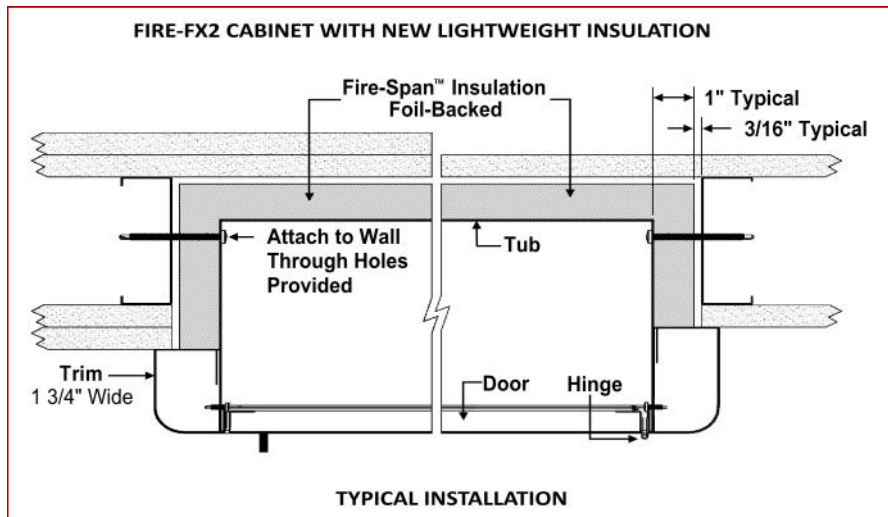
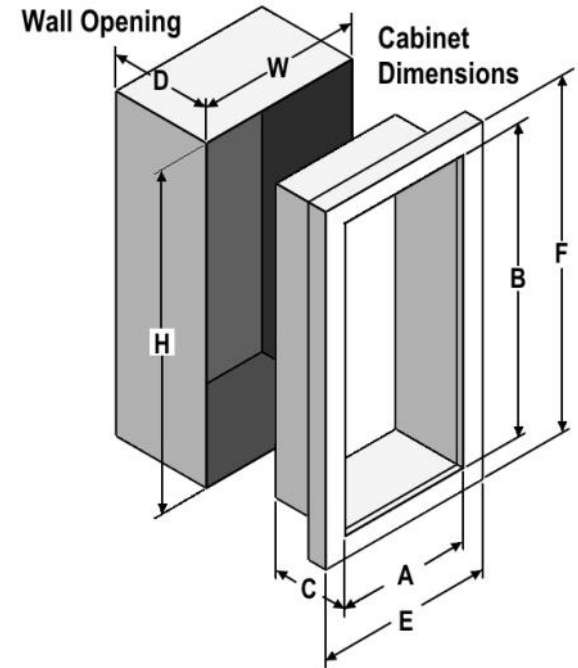
3/8" Flat Trim

1-1/2" Square

2-1/2, 3" or 4"
Rolled Edge



Lightweight
Insulation



Optional Colors at Additional Cost - Samples Available			
Gray	Red	Black/Flat Black	Silver
Sand	AMS Beige	SC Flat Beige	Bronze

Double Wall Construction with Fire-Resistant Liner Shown Above

It is the responsibility of the customer to communicate specifications and product performance requirements that are needed for their application. This document is intended to convey potential product configurations and offerings. It is not to be used to imply or represent a specification or rating, of finished products shipped. Detailed, specific submittals can be created upon request. It is the responsibility of the customer to specify product accordingly to comply with local laws, codes, and ordinances.

TRIM & DOOR MATERIAL & SERIES #						TUB I.D.			FRAME O.D.			FIRE-RATED WALL OPENING		
QTY	STEEL	QTY	ALUMINUM	QTY	STAINLESS STEEL	TRIM STYLE	A	B	C	E	F	W	H	D
	1415_FX2		1425_FX2		1435_FX2	3/8" Flat Trim	14"	14"	6-3/4"	17-3/8"	17-3/8"	16-5/16"	16-5/16"	7-3/4
	1416_FX2		1426_FX2		1436_FX2	1-1/2" Square Trim	14"	14"	6-3/4"	17-3/8"	17-3/8"	16-5/16"	16-5/16"	7-1/8
	1417_FX2		--		1437_FX2	3" Rolled Trim	14"	14"	6-3/4"	17-3/8"	17-3/8"	16-5/16"	16-5/16"	5
	--		1427_FX2		--	2 1/2" Rolled Trim	14"	14"	6-3/4"	17-3/8"	17-3/8"	16-5/16"	16-5/16"	6-1/8
	1412_FX2		--		1432_FX2	4" Rolled Trim/Recessed Pull	14"	14"	6-3/4"	17-3/8"	17-3/8"	16-5/16"	16-5/16"	4-1/8
	--		1422_FX2		--	4" Rolled Trim/Recessed Pull	14"	14"	6-3/4"	17-3/8"	17-3/8"	16-5/16"	16-5/16"	5-7/8