

SUBMITTAL: 1900 SERIES FIRE-FX2™ OLYMPUS™ SERIES AED & OXYGEN CABINET

Protect valuable Automated External Defibrillators (AED's) in this cabinet that provides room for an emergency oxygen tank. Each cabinet is equipped with a 85 dB door alarm to deter tampering. This series in steel, stainless steel or aluminum fits most AED's on the market including those offered by JL Industries. All cabinets meet the 4" maximum ADA projection requirement.

- Trim Construction:** CRS with white powder-coat finish, #4 brushed stainless steel or clear anodized aluminum.
- Trim Style & Depth:** Recessed – 3/8" flat trim, Semi-Recessed – 1½" square edge or 2-1/2", 3" or 4" rolled edge. (4" has recessed pull)
- Door:** Formed door with 1-3/4" trim, mounted in a 5/8" door stop with zinc-plated handle and roller catch and continuous hinge. "AED", "Emergency Oxygen" and "Warning" graphics are enclosed for application in the field.
- Alarm:** 85 dB Commander (audible) alarm standard with keyed on/off switch on the door..
- Tab:** White powder-coated cold rolled steel. Fire-resistant material is attached to the exterior of the tub.
- Oxygen:** Accommodates up to "D" size cylinder. See options below.

Fire Rating: Fire-FX2™ cabinets are UL listed and labeled as an approved membrane penetration firestop system for up to 2 hours in accordance with UL 1479 (ASTM-E814) and CAN/ULC-S115, when properly installed in a wall assembly according to installation instructions.



1915F12FX2
Cabinet with 3/8" Flat Trim
Shown with Optional
Oxygen System and AED

STEP 1: SELECT MODEL NUMBER AND QUANTITY ON CHART (refer to chart on page 2)

- A. Determine Trim Style according to wall depth. B. Determine Tub I.D. according to size most suited for contents and wall opening.

STEP 2: SELECT DOOR STYLE Check one box below

- | | |
|---|---|
| <input type="checkbox"/> F Full Glazing | <input type="checkbox"/> W Vertical Duo with SAF-T-LOK |
| <input type="checkbox"/> G Full Glazing with SAF-T-LOK | <input type="checkbox"/> S21 Solid Door |
| <input type="checkbox"/> V Vertical Duo | <input type="checkbox"/> L22 Solid Door with SAF-T-LOK |

STEP 3: SELECT GLAZING Check one box below

- | | |
|--|---|
| <input type="checkbox"/> 12 Acrylic | <input type="checkbox"/> 17 Tempered |
|--|---|

Graphics at Right are
Included with Cabinet:
AED Diecut (4-1/2" x 1")

STEP 4: SELECT OPTIONAL FEATURES AT ADDITIONAL COST

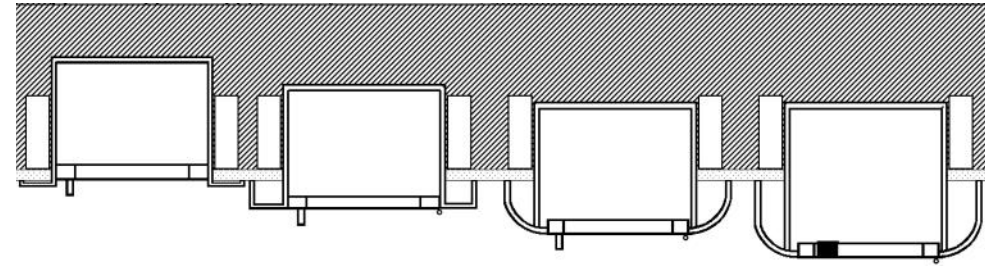
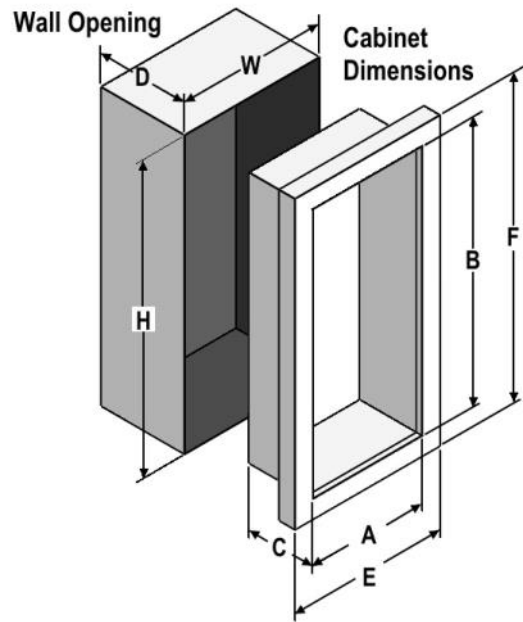
- | | |
|---|---|
| <input type="checkbox"/> (SA) Siren Strobe Alarm 110 dB Alarm (3" or 4" Trim Models Only) | <input type="checkbox"/> Polished Chrome Handle (PUCH) |
| <input type="checkbox"/> (STC) Saf-T-Clasp for Visual Notification When Door has been opened | <input type="checkbox"/> Optional Color: _____ See page 2 for colors. |
| <input type="checkbox"/> (14MAG) Magnetic Door Contact for Existing Alarm Systems | <input type="checkbox"/> Wall Signs: __ Flat __ Tent __ Rt Angle __ Bi-Lingual __ Directional
(See separate submittal for more details on these plastic signs) |
| <input type="checkbox"/> (14RR) Roller Reed Ball Contact for Existing Alarm Systems | <input type="checkbox"/> Etched, Silkscreen or Engraved Lettering - Check here and attach separate submittal |
| <input type="checkbox"/> Optional Dark Bronze Anodized Aluminum Finish (Pulls painted to match) | Custom Door Graphics - company logos, photos, etc. Contact customer service. |
| <input type="checkbox"/> Optional Stainless Steel Finishes __ #6 __ #7 | Automated External Defibrillator sold separately - see website |
| <input type="checkbox"/> Optional Tub Color: __ Black __ Red | See website for more information on the above options. |
| <input type="checkbox"/> Flush Pull Handle (PRH) | |



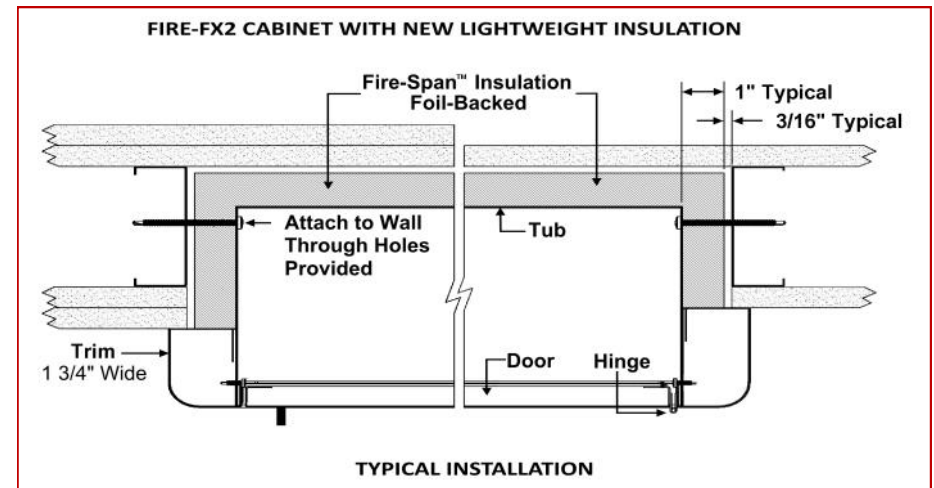
**WARNING
ALARM SYSTEM**

**Emergency
Oxygen**

JL INDUSTRIES	Distributor:	Quantity:
	Contractor:	Approved By:
	Model #:	Architect:
	Project:	Date: © 2023 Activar Construction Products Inc
HEADQUARTERS: 9702 NEWTON AVE S, BLOOMINGTON, MN 55431 PH: 800-554-6077 EMAIL: SALES@ACTIVARCPG.COM WWW.ACTIVARCPG.COM MANUFACTURING: BLOOMINGTON, MN & COMMERCE, CA WAREHOUSES: SEE WEBSITE FOR LOCATIONS 8/1/2023		



3/8" Flat Trim 1-1/2" Square Trim 2-1/2", 3" Rolled Edge 4" Rolled Edge with



Optional Colors at Additional Cost - Samples Available			
Gray	Red	Black/Flat Black	Silver
Sand	AMS Beige	SC Flat Beige	Bronze

It is the responsibility of the customer to communicate specifications and product performance requirements that are needed for their application. This document is intended to convey potential product configurations and offerings. It is not to be used to imply or represent a specification or rating, of finished products shipped. Detailed, specific submittals can be created upon request. It is the responsibility of the customer to specify product accordingly to comply with local laws, codes, and ordinances.

TRIM & DOOR MATERIAL & SERIES #							TUB I.D.			FRAME O.D.		FX Wall Opening		
QTY	STEEL	QTY	ALUMINUM	QTY	STAINLESS STEEL	TRIM STYLE	A	B	C	E	F	W	H	D
	1915_FX2		1925_FX2		1935FX2	3/8" Flat Trim	18"	18"	8"	21-3/8"	21-3/8"	20 5/16"	20 5/16"	9"
	1916_FX2		1926_FX2		1936FX2	1-1/2" Square Trim	18"	18"	8"	21-3/8"	21-3/8"	20 5/16"	20 5/16"	8"
	1917_FX2	--	--		1937FX2	3" Rolled Trim	18"	18"	8"	21-3/8"	21-3/8"	20 5/16"	20 5/16"	6-1/4"
--	--		1927_FX2	--	--	2-1/2" Rolled Trim	18"	18"	8"	21-3/8"	21-3/8"	20 5/16"	20 5/16"	7-3/8"
	1912_FX2	--	--		1932FX2	4" Rolled Trim w/Recessed Pull	18"	18"	8"	21-3/8"	21-3/8"	20 5/16"	20 5/16"	5-1/2"
--	--		1922_FX2	--	--	4" Rolled Trim w/Recessed Pull	18"	18"	8"	21-3/8"	21-3/8"	20 5/16"	20 5/16"	6-1/8"