

SUBMITTAL: 7900 SERIES OLYMPUS AED & OXYGEN CABINET

Protect valuable Automated External Defibrillators (AED's) in this cabinet that provides room for an emergency oxygen tank. Each cabinet is equipped with a 85 dB door alarm to deter tampering. This series in steel, stainless steel or aluminum fits most AED's on the market including those offered by JL Industries.

Trim Construction: CRS with white powder-coat finish, #4 brushed stainless steel or clear anodized aluminum.

Trim Style & Depth: Recessed – 3/8" flat trim, Semi-Recessed – 1 1/2" square edge or 2 1/2, 3 1/2" or 4" rolled edge. Surface-mount models have either square or rolled edge.

Door: Formed door mounted in a 5/8" door stop with zinc-plated handle, roller catch and continuous hinge. All models feature a clear acrylic window with "AED", "Emergency Oxygen" and "Warning" die cut graphics enclosed for application in the field. See page 2.

Alarm: 85 dB Commander (audible) alarm standard with keyed on/off switch on the door.

Tub: White powder-coated cold rolled steel. Shelf located 15-1/2" from top. Fire-rated available - See Separate Submittal

Oxygen: Accommodates up to "D" size cylinder.



7916F12 Semi-Recessed Cabinet

STEP 1: SELECT MODEL NUMBER AND QUANTITY ON CHART (refer to chart on page 2)

A. Determine Trim Style according to wall depth.

B. Determine Tub I.D. according to size most suited for contents and wall opening.

STEP 2: SELECT DOOR STYLE Check one box below

F Full Glazing

G Full Glazing with SAF-T-LOK

V Vertical Duo

W Vertical Duo with SAF-T-LOK

S21 Solid Door

L22 Solid Door with SAF-T-LOK

STEP 3: SELECT GLAZING Check one box below

12 Acrylic

17 Tempered

See Page 2 for Examples of Graphics that are Included with Cabinet

STEP 4: SELECT OPTIONAL FEATURES AT ADDITIONAL COST

(SA) Siren Strobe Alarm 110 dB Alarm (3-4" Trim & Surface-Mount Models Only)

(STC) Saf-T-Clasp for Visual Notification When Door has been opened

(14MAG) Magnetic Door Contact for Existing Alarm Systems

(14RR) Roller Reed Ball Contact for Existing Alarm Systems

Optional Dark Bronze Anodized Aluminum Finish (Pulls painted to match)

Optional Stainless Steel Finishes ___ #6 ___ #7

Optional Tub Color: ___ Black ___ Red

Optional Tub Material ___ Stainless ___ Aluminum

Flush Pull Handle (PRH)


Polished Chrome Handle (PUCH)

Optional Color: _____ See page 2 for colors.

Wall Signs: ___ Flat ___ Tent ___ Rt Angle ___ Bi-Lingual ___ Directional
(See separate submittal for more details on these plastic signs)

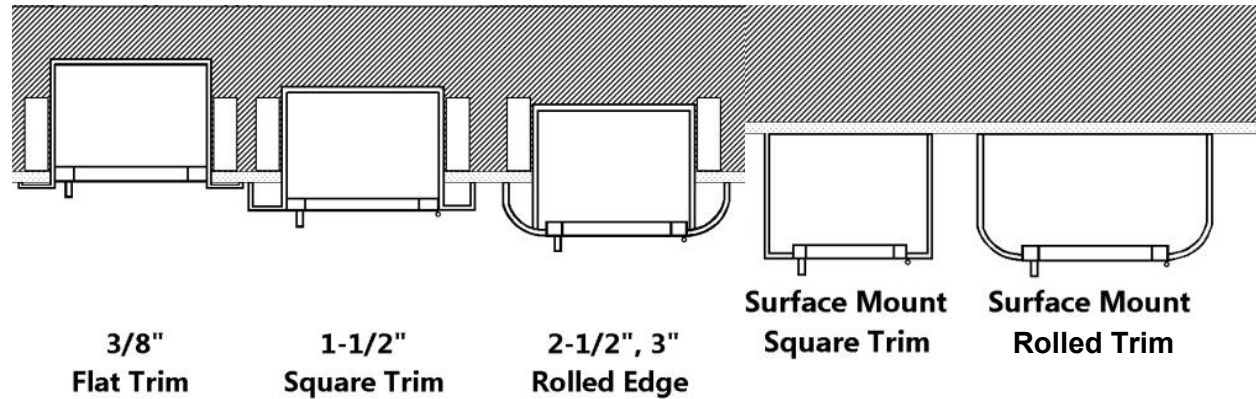
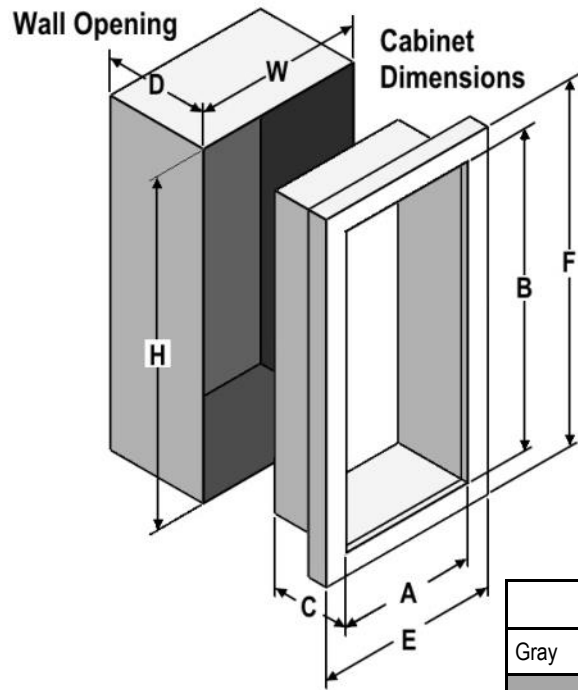
Etched, Silkscreen or Engraved Lettering - Check here and attach separate submittal to order.
Custom Door Graphics - company logos, photos, etc. Contact customer service.
Automated External Defibrillator sold separately - see website

See website for more information on the above options.

 JL INDUSTRIES	Distributor:	Quantity:
	Contractor:	Approved By:
	Model #:	Architect:
	Project:	Date: © 2023 Activar Construction Products Group, Inc.

HEADQUARTERS: 9702 NEWTON AV S, BLOOMINGTON, MN 55431 PH: 800-554-6077 EMAIL: SALES@ACTIVARCPG.COM WWW.ACTIVARCPG.COM

MANUFACTURING: COMMERCE, CA & BLOOMINGTON MN • WAREHOUSES: SEE WEBSITE FOR LOCATIONS 6/6/2023



Graphics Below are Included with Cabinet:
 AED Diecut (4-1/2" x 1"), Warning Decal (3/4" x 3-1/2") and
 Emergency Oxygen Diecut (10" x 2-3/4")



Optional Colors at Additional Cost - Samples Available			
Gray	Red	Black/Flat Black	Silver
Sand	AMS Beige	SC Flat Beige	Bronze

TRIM & DOOR MATERIAL & SERIES #						TUB I.D.			FRAME O.D.		WALL OPENING NON-RATED					
QTY	STEEL	QTY	ALUMINUM	QTY	STAINLESS STEEL	TRIM STYLE			A	B	C	E	F	W	H	D
	7915		7925		7935	Flat Trim●			14"	37"	7"	17-1/2"	41-3/8"	15"	38"	6-7/8"
	7916		7926		7936	1-1/2" Square Trim●			14"	37"	7"	17-1/2"	41-3/8"	15"	38"	5-5/8"
	7917		--		7937	3" Rolled Trim●			14"	37"	7"	17-1/2"	41-3/8"	15"	38"	4-1/8"
	--		7927		--	2-1/2" Rolled Trim●			14"	37"	7"	17-1/2"	41-3/8"	15"	38"	5-1/4"
	7912	--	--		7932	4" Rolled Trim w/ Recessed Pull●			14"	37"	7"	17-1/2"	41-3/8"	15"	38"	3-3/8"
	--		7922	--	--	4" Rolled Trim w/ Recessed Pull●			14"	37"	7"	17-1/2"	41-3/8"	15"	38"	4"
	7913		7923		7933	Surface Mount Square Trim			17-3/8"	40-1/2"	7"	17-1/2"	41-3/8"	--	--	--
	7919		--		7939	Surface Mount Rolled Trim			17-3/8"	40-1/2"	7"	17-1/2"	41-3/8"	--	--	--

● Cabinets that Meet 4" Maximum ADA Projection Requirement

It is the responsibility of the customer to communicate specifications and product performance requirements that are needed for their application. This document is intended to convey potential product configurations and offerings. It is not to be used to imply or represent a specification or rating, of finished products shipped. Detailed, specific submittals can be created upon request. It is the responsibility of the customer to specify product accordingly to comply with local laws, codes, and ordinances.