

# SUBMITTAL: 7900 FIRE-FX2™ OLYMPUS™ SERIES FIRE-RATED AED/OXYGEN CABINET

Protect valuable Automated External Defibrillators (AED's) in this cabinet that provides room for an emergency oxygen tank. Each cabinet is equipped with a 85 dB door alarm to deter tampering. This series in steel, stainless steel or aluminum fits most AED's on the market including those offered by JL Industries. All cabinets meet the 4" maximum ADA projection requirement.

**Trim Construction:** CRS with white powder-coat finish, #4 brushed stainless steel or clear anodized aluminum. 1-3/4" trim on face and 1-1/4" trim on door.

**Trim Style & Depth:** Recessed – 3/8" flat trim, Semi-Recessed – 1/2" square edge or 2 1/2, 3 1/2" or 4" rolled edge. 4" model has recessed pull .

**Door:** Formed door mounted in a 5/8" door stop with zinc-plated handle, roller catch and continuous hinge. All models feature a clear acrylic window with "AED", "Emergency Oxygen" and "Warning" graphics included for application in the field. See page 2.

**Tub:** The tub is constructed of cold rolled steel with white powder-coat finish standard. Fire-resistant material is attached to the exterior of the tub.

**Alarm:** 85 dB Commander (audible) alarm standard with keyed on/off switch on the door.

**Oxygen:** Accommodates up to "D" size cylinder.

*Fire Rating: Fire-FX2™ cabinets are UL listed and labeled as an approved membrane penetration firestop system for up to 2 hours in accordance with UL 1479 (ASTM-E814) and CAN/ULC-S115, when properly installed in a wall assembly according to installation instructions.*



7916F12FX2

**STEP 1: SELECT MODEL NUMBER AND QUANTITY ON CHART** (refer to chart on page 2)

A. Determine Trim Style according to wall depth.

B. Determine Tub I.D. according to size most suited for contents and wall opening.

**STEP 2: SELECT DOOR STYLE** Check one box below

**F** Full Glazing

**G** Full Glazing with SAF-T-LOK

**V** Vertical Duo

**W** Vertical Duo with SAF-T-LOK

**S21** Solid Door

**L22** Solid Door with SAF-T-LOK

**STEP 3: SELECT GLAZING** Check one box below

**12** Acrylic

**17** Tempered

See Page 2 for Examples of Graphics that are Included with Cabinet

**STEP 4: SELECT OPTIONAL FEATURES AT ADDITIONAL COST**

**(SA)** Siren Strobe Alarm 110 dB Alarm (3-4" Trim Models Only)

**(STC)** Saf-T-Clasp for Visual Notification When Door has been opened

**(14MAG)** Magnetic Door Contact for Existing Alarm Systems

**(14RR)** Roller Reed Ball Contact for Existing Alarm Systems

Optional Dark Bronze Anodized Aluminum Finish (Pulls painted to match)

Optional Stainless Steel Finishes \_\_\_#6 \_\_\_#7

Optional Tub Color: \_\_\_ Black \_\_\_Red

Flush Pull Handle (PRH)

Polished Chrome Handle (PUCH)

Optional Color: \_\_\_\_\_ See page 2 for colors.

Wall Signs: \_\_\_ Flat \_\_\_ Tent \_\_\_ Rt Angle \_\_\_ Bi-Lingual \_\_\_ Directional (See separate submittal for more details on these plastic signs)

Etched, Silkscreen or Engraved Lettering - Check here and attach separate submittal to order.

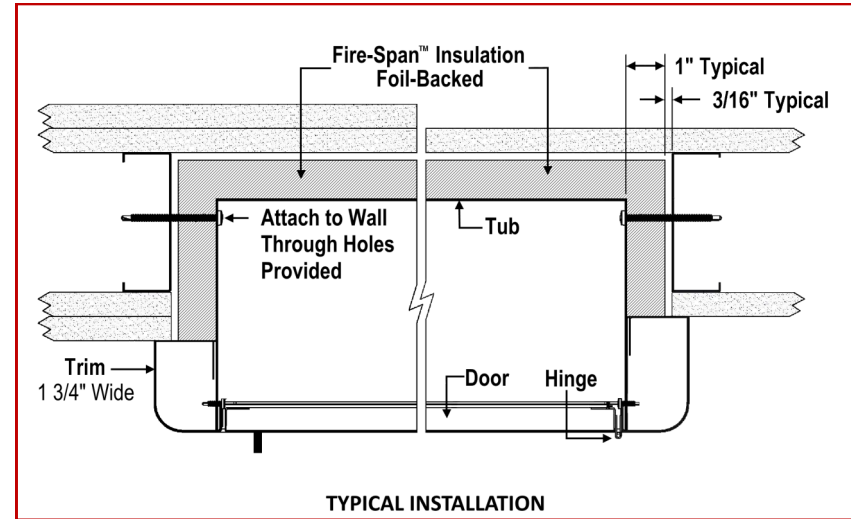
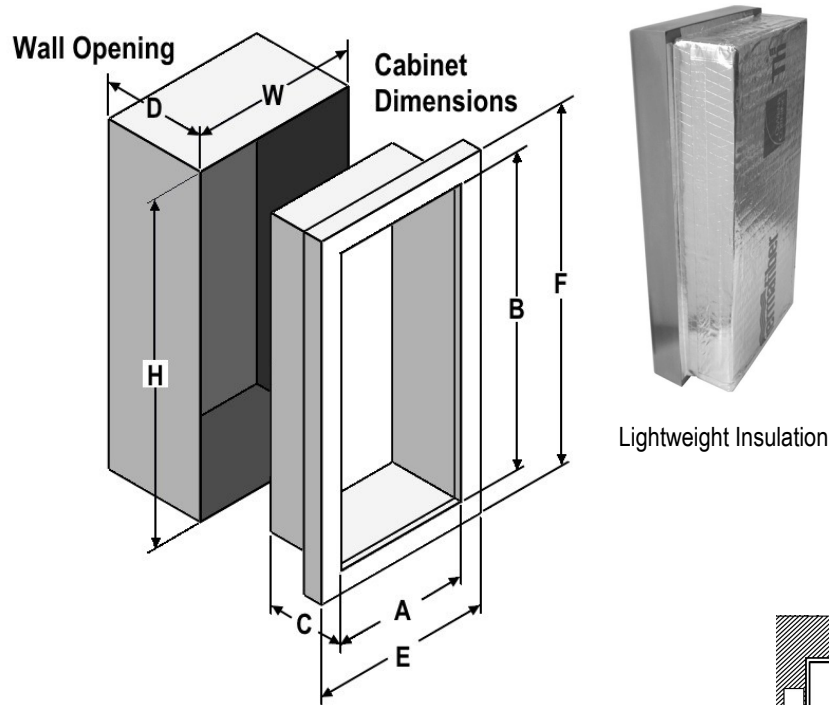
Custom Door Graphics - company logos, photos, etc. Contact customer service.

Automated External Defibrillator sold separately - see website

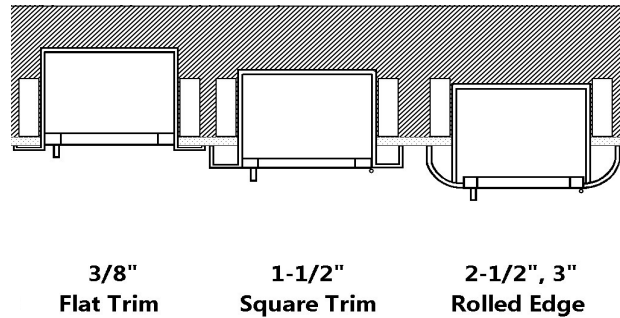
**See website for more information on the above options.**

<b>JL INDUSTRIES</b>	Distributor:	Quantity:
	Contractor:	Approved By:
	Model #:	Architect:
	Project:	Date: <span style="float: right; font-size: small;">© 2023 Activar Construction Products Inc</span>
<b>HEADQUARTERS:</b> 9702 NEWTON AVE S, BLOOMINGTON, MN 55431 <b>PH:</b> 800-554-6077 <b>EMAIL:</b> SALES@ACTIVARCPG.COM WWW.ACTIVARCPG.COM <b>MANUFACTURING:</b> BLOOMINGTON, MN & COMMERCE, CA <b>WAREHOUSES:</b> SEE WEBSITE FOR LOCATIONS 8/1/23		

**SUBMITTAL: 7900 FIRE-FX2™ OLYMPUS™ SERIES FIRE-RATED AED/OXYGEN CABINET PG 2 OF 2**



Graphics Below are Included with Cabinet:  
 AED Diecut (4-1/2" x 1"),  
 Warning Decal (3/4" x 3-1/2") and  
 Emergency Oxygen Diecut (10" x 2-3/4")



WARNING  
ALARM SYSTEM

**Emergency  
Oxygen**

Optional Colors at Additional Cost - Samples Available			
Gray	Red	Black/Flat Black	Silver
Sand	AMS Beige	SC Flat Beige	Bronze

TRIM & DOOR MATERIAL & SERIES #						TUB I.D.			FRAME O.D.		FX Wall Opening					
QTY	STEEL	QTY	ALUMINUM	QTY	STAINLESS STEEL	TRIM STYLE			A	B	C	E	F	W	H	D
	7915_FX2		7925_FX2		7935_FX2	Flat Trim			14"	37"	7"	17-1/2"	41-3/8"	16-5/16"	39-5/16"	8"
	7916_FX2		7926_FX2		7936_FX2	1-1/2" Square			14"	37"	7"	17-1/2"	41-3/8"	16-5/16"	39-5/16"	6-3/4"
	7917_FX2	--	--		7937_FX2	3" Rolled			14"	37"	7"	17-1/2"	41-3/8"	16-5/16"	39-5/16"	5-1/4"
--	--	--	7927_FX2	--	--	2-1/2" Rolled			14"	37"	7"	17-1/2"	41-3/8"	16-5/16"	39-5/16"	6-3/8"
	7912_FX2	--	--		7932_FX2	4" Rolled Trim w/ Recessed Pull			14"	37"	7"	17-1/2"	41-3/8"	16-5/16"	39-5/16"	4-3/8"
--	--	--	7922_FX2	--	--	4" Rolled Trim w/ Recessed Pull			14"	37"	7"	17-1/2"	41-3/8"	16-5/16"	39-5/16"	5-1/8"

It is the responsibility of the customer to communicate specifications and product performance requirements that are needed for their application. This document is intended to convey potential product configurations and offerings. It is not to be used to imply or represent a specification or rating, of finished products shipped. Detailed, specific submittals can be created upon request. It is the responsibility of the customer to specify product accordingly to comply with local laws, codes, and ordinances.