

SUBMITTAL: ACADEMY ALUMINUM FIRE-FX2™ COLOR ANODIZED FIRE-RATED EXTINGUISHER CABINETS

The Academy Series Features Aluminum Trim and Door, with 10 Door Styles & Optional Anodized Colors.

Door & Trim Construction: Dark bronze anodized aluminum. Flush cabinet doors with a 5/8" door stop are attached by a continuous hinge and equipped with zinc-plated handle painted to match finish, and roller catch. All models have 1-3/4" wide trim on frame and 1-1/4" trim on doors with glazing. Rolled edge models are constructed of mechanically-joined extrusions, except for models 1897 and 1097 which are die formed. *Die formed corners provide an attractive, rounded edge - unique to the JL line of cabinets!*

Trim Style & Depth: Recessed 3/8" flat trim, Semi Recessed - 1-1/4", 1-1/2" Square Edge or 2-1/2", 3", 4", 4-1/2" Rolled Edge (4" has recessed FLUSHC pull).

Tub: The tub is constructed of cold rolled steel with white powder-coat finish standard. Tub forms a flange to cover cut edges of wallboard material. Fire-resistant material is attached to the exterior of the tub.



Dark Bronze

Please Request a Sample of the Anodized Finish Shown Above is Example Only

Fire Rating: Fire-FX2™ cabinets are UL listed and labeled as an approved membrane penetration firestop system for up to 2 hours in accordance with UL 1479 (ASTM-E814) and CAN/ULC-S115, when properly installed in a wall assembly according to installation instructions.

STEP 1: SELECT MODEL NUMBER AND QUANTITY ON CHART (refer to chart on pg 2)

A. Determine Trim Style according to wall depth.

B. Determine Tub I.D. according to size most suited for extinguisher and wall opening.

STEP 2: SELECT DOOR STYLE WITH HANDLE

Check one box below Examples on Page 2

F Full Glazing

G Full Glazing with SAF-T-LOK™

D Horizontal Duo Panel

E Horizontal Dual Panel with SAF-T-LOK™

S21 Solid Door

L22 Solid with SAF-T-LOK™

L24 Sold with Cylinder Lock - No Handle

V Vertical Duo

W Vertical Duo with SAF-T-LOK™

B Solid with 2" x 4" View Window & SAF-T-LOK™

STEP 3: SELECT DOOR GLAZING

(Check one box below)

10 Clear Acrylic

13 Clear Wire Glass with Safety Film

15 Bronze Acrylic

16 Gray Acrylic

17 Clear Tempered Glass

18 Laminated Safety Glass

STEP 4: OPTIONAL FEATURES AT ADDED COST (SELECT ANY)

Optional Tub Color: ___ Black ___ Red

Futura "Fire" Pull ___ Mill Alum ___ Red ___ White

Flush Pull Handle (PRH)

Polished Chrome Handle (PUCH)

(CA) Commander Alarm

(BA) Brigadier Alarm

Black Vertical FE Letters **LDCVBF**E

Red Vertical FE Letters **LDCVRF**E

White Vertical FE Letters **LDCVWF**E

Black Horizontal FE Letters **LDCHBF**E

Red Horizontal FE Letters **LDCHRF**E

White Horizontal FE Letters **LDCHWF**E

Black Vertical Decal **LDVBF**E

Red Vertical Decal **LDVRF**E

White Vertical Decal **LDVWF**E

Black Horizontal Decal **LDHBF**E

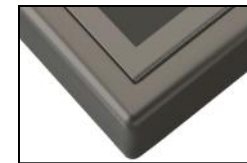
Red Horizontal Decal **LDHRF**E

White Horizontal Decal **LDHWF**E

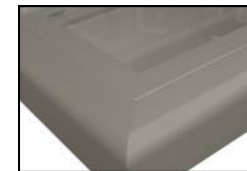
Vertical Red FE Silkscreen Lettering on Glass- **SSFELVR**

Lettering: Etched on Glass, Silkscreen on Glass:

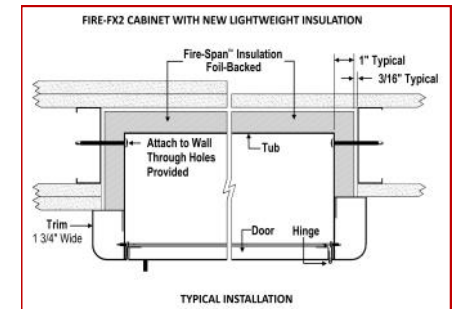
Attach separate submittal to order lettering



**Formed Rolled Edge
1097 and 1897**



**Extruded Rolled Edge
2-1/2", 4" and 4-1/2"**



It is the responsibility of the customer to communicate specifications and product performance requirements that are needed for their application. This document is intended to convey potential product configurations and offerings. It is not to be used to imply or represent a specification or rating, of finished products shipped. Detailed, specific submittals can be created upon request. It is the responsibility of the customer to specify product accordingly to comply with local laws, codes, and ordinances.

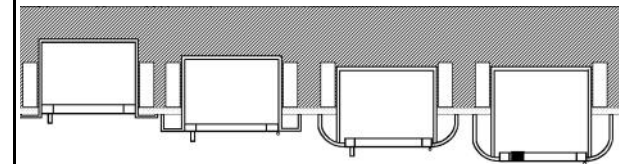
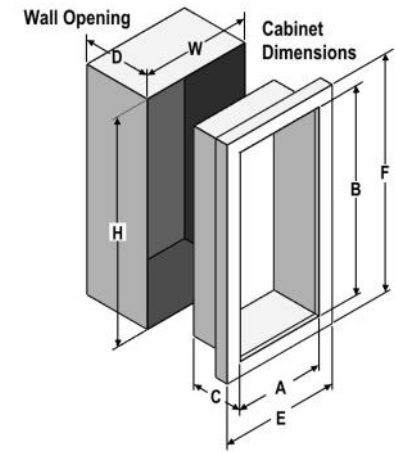
JL INDUSTRIES 9702 Newton Av S. Bloomington, MN 55431	☎ 800-554-6077 ✉ sales@activarcpg.com 🌐 www.activarcpg.com	Distributor:	Project:
		Contractor:	Approved By:
	Date:	Quantity:	Architect:
	Scale: N/A	Pages: 1 of 2	Item #

SUBMITTAL: ACADEMY ALUMINUM FIRE-FX2™ COLOR ANODIZED FIRE-RATED EXTINGUISHER CABINETS

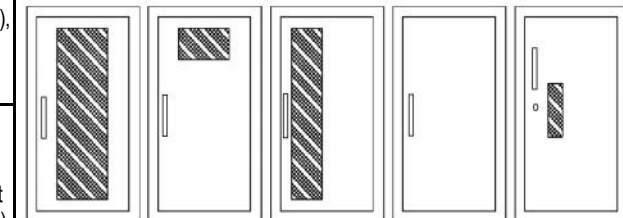
TRIM & DOOR SERIES #			Tub I.D.			Frame O.D.		FX Wall Opening			Fits Extinguishers
QTY	Model	Trim Style	A	B	C	E	F	W	H	D	
	8195	Flat 3/8" Trim●	9	18	5 1/2	12 3/8	21 3/8	11 5/16	20 5/16	6 7/16	Cosmic & Galaxy 2 1/2-6 (6 lb must be mounted to tub wall), Mercury 2 1/2-5
	8196	1 1/2 Square●	9	18	5 1/2	12 3/8	21 3/8	11 5/16	20 5/16	5 3/16	
	8197	2 1/2 Rolled●	9	18	5 1/2	12 3/8	21 3/8	11 5/16	20 5/16	4 13/16	
	1790	2-1/4 Square	10 1/2	24	5	13 7/8	27 3/8	12 13/16	26 5/16	4	Cosmic/Gal/Merc 2-5
	1895	Flat 3/8" Trim●	10 1/2	24	5 1/2	13 7/8	27 3/8	12 13/16	26 5/16	6 7/16	Cosmic & Galaxy 2 1/2-6 (6 lb must be mounted to tub wall), Mercury 2 1/2-5
	1896	1 1/2 Square●	10 1/2	24	5 1/2	13 7/8	27 3/8	12 13/16	26 5/16	5 3/16	
	1897	3 Formed Rolled ●	10 1/2	24	5 1/2	13 7/8	27 3/8	12 13/16	26 5/16	3 11/16	
	1892	4 Rolled/Flush Pull●	10 1/2	24	5 1/2	13 7/8	27 3/8	12 13/16	26 5/16	3 1/2	
	1898	4 1/2 Rolled	10 1/2	24	5 1/2	13 7/8	27 3/8	12 13/16	26 5/16	2 13/16	
	1095	Flat 3/8" Trim●	10 1/2	24	6	13 7/8	27 3/8	12 13/16	26 5/16	6 15/16	Cosmic & Galaxy 2 1/2-10 Mercury 2 1/2-5 , Sentinel 5
	1096	1 1/2 Square●	10 1/2	24	6	13 7/8	27 3/8	12 13/16	26 5/16	5 11/16	
	1097	3 Formed Rolled ●	10 1/2	24	6	13 7/8	27 3/8	12 13/16	26 5/16	4	
	1092	4 Rolled/Flush Pull●	10 1/2	24	6	13 7/8	27 3/8	12 13/16	26 5/16	4	
	1098	4 1/2 Rolled	10 1/2	24	6	13 7/8	27 3/8	12 13/16	26 5/16	3 5/16	
	2095	Flat 3/8" Trim●	12	27	7 3/4	15 3/8	30 3/8	14 5/16	29 5/16	8 11/16	Any Cosmic, Galaxy, Mercury, Saturn or Grenadier P (20 lb must be mounted on back of tub), Sentinel 5 & 10, Nebula 270
	2096	1 1/4 Square●	12	27	7 3/4	15 3/8	30 3/8	14 5/16	29 5/16	7 11/16	
	2097	2 1/2 Rolled●	12	27	7 3/4	15 3/8	30 3/8	14 5/16	29 5/16	7 1/16	
	2092	4 Rolled/Flush Pull●	12	27	7 3/4	15 3/8	30 3/8	14 5/16	29 5/16	5 3/4	
	2098	4 1/2 Rolled	12	27	7 3/4	15 3/8	30 3/8	14 5/16	29 5/16	5 1/16	
	3095	Flat 3/8" Trim●	16	32	7 3/4	19 3/8	35 3/8	18 5/16	34 5/16	8 11/16	Any Cosmic, Galaxy, Mercury, Saturn or Grenadier P (20 lb must be mounted on back of tub), Sentinel 5-15, Nebula 250, 270, 272
	3096	1 1/4 Square●	16	32	7 3/4	19 3/8	35 3/8	18 5/16	34 5/16	7 11/16	
	3097	2 1/2 Rolled●	16	34	7 3/4	19 3/8	35 3/8	18 5/16	34 5/16	7 1/16	
	3092	4 Rolled/Flush Pull●	16	32	7 3/4	19 3/8	35 3/8	18 5/16	34 5/16	5 3/4	
	3098	4 1/2 Rolled	16	32	7 3/4	19 3/8	35 3/8	18 5/16	34 5/16	5 1/16	
	4095	Flat 3/8" Trim●	20	27	7 3/4	23 3/8	30 3/8	22 5/16	29 5/16	8 11/16	Two each of: any Cosmic, Galaxy, Mercury, Saturn or Grenadier P (20 lb must be mounted on back of tub), Sentinel 5
	4096	1 1/4 Square●	20	27	7 3/4	23 3/8	30 3/8	22 5/16	29 5/16	7 11/16	
	4097	2 1/2 Rolled●	20	27	7 3/4	23 3/8	30 3/8	22 5/16	29 5/16	7 1/16	
	4092	4 Rolled/Flush Pull●	20	27	7 3/4	23 3/8	30 3/8	22 5/16	29 5/16	5 3/4	
	4098	4 1/2 Rolled	20	27	7 3/4	23 3/8	30 3/8	22 5/16	29 5/16	5 1/16	



Lightweight, FX2 Insulation



Flat 3/8" Trim 1-1/2" Square Trim 2-1/2", 3" Rolled Edge 4" w/flush Pull or 4-1/2" w/Standard Pull



F - Full glass with pull handle
 D - Horizontal duo panel with pull handle
 V - Vertical duo panel with pull handle
 S21 - Solid with pull handle
 B - Small view window with pull handle, and Saf-T-Lok
 G - Full glass with pull handle above Saf-T-Lok (not shown)
 E - Horizontal duo panel with pull handle above Saf-T-Lok (not shown)
 W - Vertical duo panel with pull handle above Saf-T-Lok (not shown)
 L22 - Solid with pull handle above Saf-T-Lok
 L24 - Solid with cylinder key lock and no handle

ADA Cabinet Mounting Height: Standard Pull on G, E, W, L22 and B Door Styles with Saf-T-Lok are 3 5/8" Higher than Door Center, so Allow for that When Mounting Cabinet. Standard Pull with No Lock or ADA Recessed Pull are Centered on Door.

● Cabinets with 4" or less projection