

# SUBMITTAL: ACADEMY™ COLOR ANODIZED ALUMINUM FIRE EXTINGUISHER CABINETS

## The Academy Series Features Anodized Aluminum Trim and Door, with 10 Door Styles.

**Door & Trim Construction:** Dark bronze anodized aluminum. Flush cabinet doors with a 5/8" door stop are attached by a continuous hinge and equipped with zinc-plated handle painted to match finish, and roller catch. All models have 1-3/4" wide trim on frame and 1-1/4" trim on doors with glazing.

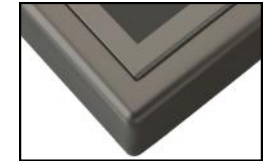
**Trim Style & Depth:** *Recessed* 3/8" flat trim, *Semi Recessed* - 1-1/4", 1-1/2" Square Edge or 2-1/2", 3", 4", 4-1/2" Rolled Edge (4" has recessed pull). *Surface-mount* models have a square edge. Rolled edge models are constructed of mechanically-joined extrusions, except for models 1897 and 1097 which are die formed. *Die formed corners provide an attractive, rounded edge - unique to the JL line of cabinets!*

**Tub:** The tub is constructed of cold rolled steel with white powder-coat finish standard. Surface-mounted models have aluminum tub.

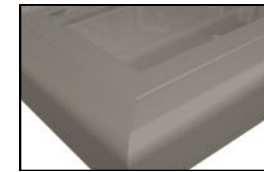
**Fire-Rated Option Available:** Yes - See separate Submittal Form.



**Dark Bronze Anodized Finish**  
Please Request a Sample of the Anodized Finish Shown Above



**Formed Rolled Edge 1097 and 1897**



**Extruded Rolled Edge 2-1/2", 4" and 4-1/2"**

### STEP 1: SELECT MODEL NUMBER AND QUANTITY ON CHART (refer to chart on pg 2)

- A. Determine Trim Style according to wall depth.
- B. Determine Tub I.D. according to size most suited for extinguisher and wall opening.

### STEP 2: SELECT DOOR STYLE WITH HANDLE

Check one box below Examples on Page 2

- |   |   |
|---|---|
| <input type="checkbox"/> <b>F</b> Full Glazing                          | <input type="checkbox"/> <b>L22</b> Solid with SAF-T-LOK™                     |
| <input type="checkbox"/> <b>G</b> Full Glazing with SAF-T-LOK™          | <input type="checkbox"/> <b>L24</b> Solid with Cylinder Lock - No Handle      |
| <input type="checkbox"/> <b>D</b> Horizontal Duo Panel                  | <input type="checkbox"/> <b>V</b> Vertical Duo                                |
| <input type="checkbox"/> <b>E</b> Horizontal Dual Panel with SAF-T-LOK™ | <input type="checkbox"/> <b>W</b> Vertical Duo with SAF-T-LOK™                |
| <input type="checkbox"/> <b>S21</b> Solid Door                          | <input type="checkbox"/> <b>B</b> Solid with 2" x 4" View Window & SAF-T-LOK™ |

### STEP 3: SELECT DOOR GLAZING


(Check one box below)

- |  |   |   |
|--|---|---|
| <input type="checkbox"/> <b>10</b> Clear Acrylic                     | <input type="checkbox"/> <b>15</b> Bronze Acrylic | <input type="checkbox"/> <b>17</b> Clear Tempered Glass   |
| <input type="checkbox"/> <b>13</b> Clear Wire Glass with Safety Film | <input type="checkbox"/> <b>16</b> Gray Acrylic   | <input type="checkbox"/> <b>18</b> Laminated Safety Glass |

### STEP 4: OPTIONAL FEATURES AT ADDED COST (SELECT ANY)

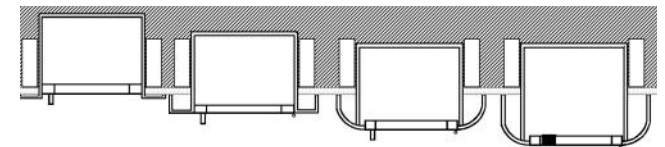
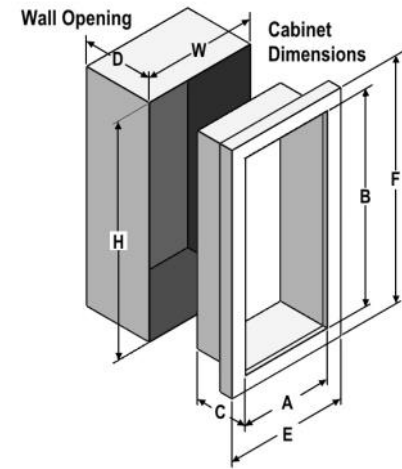
- |   |   |   |  |
|---|---|---|--|
| <input type="checkbox"/> Optional Tub Color: ___ Black ___ Red              | <input type="checkbox"/> Black Vertical FE Letters <b>LDCVBFE</b>   | <input type="checkbox"/> Black Vertical Decal <b>LDVBFE</b>   | <input type="checkbox"/> <b>(CA)</b> Commander Alarm                                   |
| <input type="checkbox"/> Futura "Fire" Pull ___ Mill Alum ___ Red ___ White | <input type="checkbox"/> Red Vertical FE Letters <b>LDCVRFE</b>     | <input type="checkbox"/> Red Vertical Decal <b>LDVRFE</b>     | <input type="checkbox"/> <b>(BA)</b> Brigadier Alarm                                   |
| <input type="checkbox"/> Flush Pull Handle <b>(PRH)</b>                     | <input type="checkbox"/> White Vertical FE Letters <b>LDCVWFE</b>   | <input type="checkbox"/> White Vertical Decal <b>LDVWFE</b>   | <input type="checkbox"/> <b>(SA)</b> Strobe Alarm (Surface mount models)               |
| <input type="checkbox"/> Polished Chrome Handle <b>(PUCH)</b>               | <input type="checkbox"/> Black Horizontal FE Letters <b>LDCHBFE</b> | <input type="checkbox"/> Black Horizontal Decal <b>LDHBFE</b> | <input type="checkbox"/> Vertical Red FE Silkscreen Lettering on Glass- <b>SSFELVR</b> |
| <input type="checkbox"/> Aluminum Tub for Recessed Models - Clear Anodized  | <input type="checkbox"/> Red Horizontal FE Letters <b>LDCHRFE</b>   | <input type="checkbox"/> Red Horizontal Decal <b>LDHRFE</b>   | <input type="checkbox"/> Lettering: Etched on Glass, Silkscreen on Glass:              |
|   | <input type="checkbox"/> White Horizontal FE Letters <b>LDCHWFE</b> | <input type="checkbox"/> White Horizontal Decal <b>LDHWFE</b> | Attach separate submittal to order lettering   |

It is the responsibility of the customer to communicate specifications and product performance requirements that are needed for their application. This document is intended to convey potential product configurations and offerings. It is not to be used to imply or represent a specification or rating, of finished products shipped. Detailed, specific submittals can be created upon request. It is the responsibility of the customer to specify product accordingly to comply with local laws, codes, and ordinances.

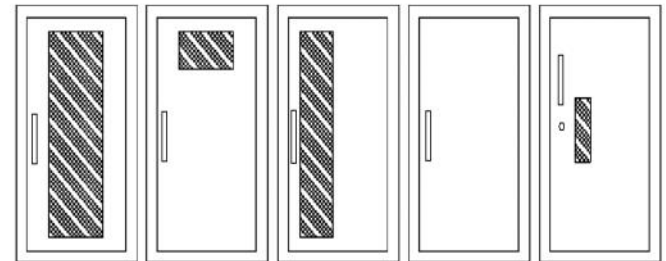
 <b>JL INDUSTRIES</b> 9702 Newton Av S. Bloomington, MN 55431 800-554-6077 sales@activarcpg.com www.activarcpg.com	Distributor:	Project:	
	Contractor:	Approved By:	
	Date:	Quantity:	Architect:
	Scale: N/A	Pages: 1 of 2	Item #

**SUBMITTAL: ACADEMY ANODIZED ALUMINUM FIRE EXTINGUISHER CABINETS**

TRIM & DOOR SERIES #			Tub I.D.			Frame O.D.		Wall Opening			Fits Extinguishers
QTY	Model	Trim Style "	A	B	C	E	F	W	H	D	
	8195	Flat 3/8" Trim ●	9	18	5 1/2	12 3/8	21 3/8	10	19	5 3/8	Cosmic & Galaxy 2 1/2-6 (6 lb must be mounted on tub) Mer- cury 2 1/2- 5
	8196	1 1/2 Square●	9	18	5 1/2	12 3/8	21 3/8	10	19	4 1/8	
	8197	2 1/2 Rolled●	9	18	5 1/2	12 3/8	21 3/8	10	19	3 3/4	
	8193	Surf. Mtd Sq	12 3/16	21 3/16	6	12 3/8	21 3/8	--	--	--	
	1790	2-1/4 Square ●	10 1/2	24	5	13 7/8	27 3/8	11 1/2	25	3	Cosmic/Gal/Merc 2-5
	1895	Flat 3/8" Trim ●	10 1/2	24	5 1/2	13 7/8	27 3/8	11 1/2	25	5 3/8	Cosmic & Galaxy 2 1/2-6 (6 lb must be mounted on tub) Mercury 2 1/2-5
	1896	1 1/2 Square●	10 1/2	24	5 1/2	13 7/8	27 3/8	11 1/2	25	4 1/8	
	1897	3 Rolled●	10 1/2	24	5 1/2	13 7/8	27 3/8	11 1/2	25	2 5/8	
	1892	4 Rolled/Flush Pull●	10 1/2	24	5 1/2	13 7/8	27 3/8	11 1/2	25	2 1/2	
	1898	4 1/2 Rolled	10 1/2	24	5 1/2	13 7/8	27 3/8	11 1/2	25	1 3/4	
	1095	Flat 3/8" Trim ●	10 1/2	24	6	13 7/8	27 3/8	11 1/2	25	5 7/8	
	1096	1 1/2 Square●	10 1/2	24	6	13 7/8	27 3/8	11 1/2	25	4 5/8	Cosmic & Galaxy 2 1/2-10 Mercury 2 1/2-5 , Sentinel 5
	1097	3 Rolled●	10 1/2	24	6	13 7/8	27 3/8	11 1/2	25	3 1/8	
	1092	4 Rolled/Flush Pull●	10 1/2	24	6	13 7/8	27 3/8	11 1/2	25	3	
	1098	4 1/2 Rolled	10 1/2	24	6	13 7/8	27 3/8	11 1/2	25	2 1/4	
	1093	Surf Mtd. Sq	13 11/16	27 3/16	6 1/2	13 7/8	27 3/8	--	--	--	
	2095	Flat 3/8" Trim ●	12	27	7 3/4	15 3/8	30 3/8	13	28	7 5/8	Any Cosmic, Galaxy, Mercury, Saturn or Grenadier P (20 lb must be mounted on back of tub), Sentinel 5 & 10, Nebula 270
	2096	1 1/4 Square●	12	27	7 3/4	15 3/8	30 3/8	13	28	6 5/8	
	2097	2 1/2 Rolled●	12	27	7 3/4	15 3/8	30 3/8	13	28	6	
	2092	4 Rolled/Flush Pull●	12	27	7 3/4	15 3/8	30 3/8	13	28	4 3/4	
	2098	4 1/2 Rolled	12	27	7 3/4	15 3/8	30 3/8	13	28	4	
	2093	Surf Mtd. Sq	15 3/16	30 3/16	8 1/4	15 3/8	30 3/8	--	--	--	
	3095	Flat 3/8" Trim ●	16	32	7 3/4	19 3/8	35 3/8	17	33	7 5/8	
	3096	1 1/4 Square●	16	32	7 3/4	19 3/8	35 3/8	17	33	6 5/8	Any Cosmic, Galaxy, Mercury, Saturn or Grenadier P (20 lb must be mounted on back of tub), Sentinel 5-15, Nebula 250, 270, 272
	3097	2 1/2 Rolled●	16	32	7 3/4	19 3/8	35 3/8	17	33	6	
	3092	4 Rolled/Flush Pull●	16	32	7 3/4	19 3/8	35 3/8	17	33	4 3/4	
	3098	4 1/2 Rolled	16	32	7 3/4	19 3/8	35 3/8	17	33	4	
	3093	Surf Mtd. Sq	19 3/16	35 3/16	8 1/4	19 3/8	35 3/8	--	--	--	
	4095	Flat 3/8" Trim ●	20	27	7 3/4	23 3/8	30 3/8	21	28	7 5/8	
	4096	1 1/4 Square●	20	27	7 3/4	23 3/8	30 3/8	21	28	6 5/8	Two each of: any Cosmic, Galaxy, Mercury, Saturn or Grenadier P (20 lb must be mounted on back of tub), Sentinel 5
	4097	2 1/2 Rolled●	20	27	7 3/4	23 3/8	30 3/8	21	28	6	
	4092	4 Rolled/Flush Pull●	20	27	7 3/4	23 3/8	30 3/8	21	28	4 3/4	
	4098	4 1/2 Rolled	20	27	7 3/4	23 3/8	30 3/8	21	28	4	
	4093	Surf Mtd. Sq	23 3/16	30 3/16	8 1/4	23 3/8	30 3/8	--	--	--	



3/8" Flat Trim    1-1/2" Square Trim    2-1/2", 3" Rolled Edge    4" Rolled w/ Flush Pull or 4-1/2" w/Std Pull



F - Full glass with pull handle  
G - Full glass with pull handle above Saf-T-Lok (not shown)  
D - Horizontal duo panel with pull handle  
E - Horizontal duo panel with pull handle above Saf-T-Lok (not shown)  
V - Vertical duo panel with pull handle  
W - Vertical duo panel with pull handle above Saf-T-Lok (not shown)  
S21 - Solid with pull handle  
L22 - Solid with pull handle above Saf-T-Lok  
L24 - Solid with cylinder key lock and no handle  
B - Small view window with pull handle, and Saf-T-Lok

**ADA Cabinet Mounting Height:** Standard Pull on G, E, W, L22 and B Door Styles with Saf-T-Lok are 3 5/8" Higher than Door Center, so Allow for that When Mounting Cabinet. Standard Pull with No Lock or Flush Pull are Centered on Door.

● Cabinets that Meet 4" Maximum ADA Projection Requirement