

**The Academy Series Features Aluminum Trim and Door, with 10 Door Styles & Optional Anodized Colors.**

**Door & Trim Construction:** Clear anodized aluminum. Flush cabinet doors with a 5/8" door stop are attached by a continuous hinge and equipped with zinc-plated handle and roller catch. All models have 1-3/4" wide trim on frame and 1-1/4" trim on doors with glazing.

**Trim Style & Tub:** *Surface-mount* models have rolled edge trim and aluminum tub of aluminum extrusions, riveted.

**Fire-Rated Option Available:** No



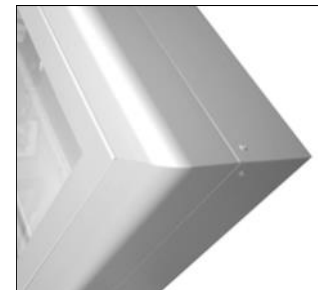
**1029F10 with Optional Lettering**

**STEP 1: SELECT MODEL NUMBER AND QUANTITY ON CHART** (refer to chart on pg 2)

**STEP 2: SELECT DOOR STYLE WITH HANDLE**

- F** Full Glazing
- G** Full Glazing with SAF-T-LOK™
- D** Horizontal Duo Panel
- E** Horizontal Dual Panel with SAF-T-LOK
- S21** Solid Door

- Check one box below Examples on Page 2
- L22** Solid with SAF-T-LOK
  - L24** Solid with Cylinder Lock - No Handle
  - V** Vertical Duo
  - W** Vertical Duo with SAF-T-LOK
  - B** Solid with Small View Window and SAF-T-LOK



**Detail of Corner**

**STEP 3: SELECT DOOR GLAZING**


(Check one box below)

- 10** Clear Acrylic
- 13** Clear Wire Glass with Safety Film
- 15** Bronze Acrylic
- 16** Gray Acrylic
- 17** Clear Tempered Glass
- 18** Laminated Safety Glass

**STEP 4: OPTIONAL FEATURES AT ADDED COST (SELECT ANY)**

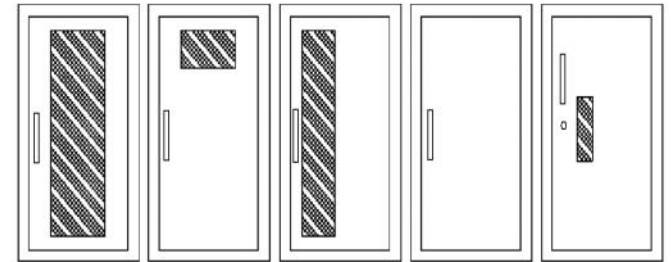
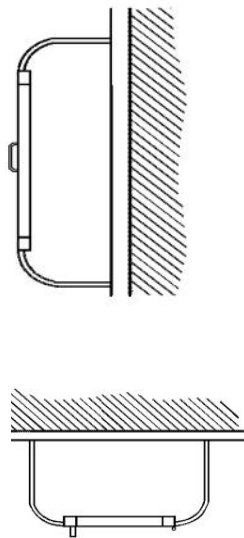
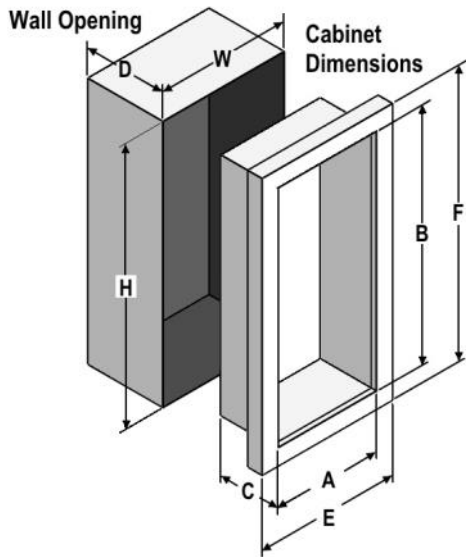
- Futura "Fire" Pull \_\_\_\_ Mill Alum \_\_\_\_ Red \_\_\_\_ White
- Flush Pull Handle (**PRH**)
- Polished Chrome Pull (**PUCH**)
- Etched or Engraved Lettering in Glass or Metal  
Attach Separate Submittal with Details
- Dark Bronze Anodized Finish with pulls painted to match.
- Black Vertical FE Letters **LDCVBF**
- Red Vertical FE Letters **LDCVRF**
- White Vertical FE Letters **LDCVWF**
- Black Horizontal FE Letters **LDCHBF**
- Red Horizontal FE Letters **LDCHRF**
- White Horizontal FE Letters **LDCHWF**
- Black Vertical Decal **LDVBF**
- Red Vertical Decal **LDVRF**
- White Vertical Decal **LDVWF**
- Black Horizontal Decal **LDHBF**
- Red Horizontal Decal **LDHRF**
- White Horizontal Decal **LDHWF**
- (CA)** Commander Alarm
- (BA)** Brigadier Alarm
- (SA)** Strobe Alarm (Surface mount models)

**For More Information on Options See Other Submittals on Website: Decals & Die Cuts & Wall Signs**

 <b>JL INDUSTRIES</b>  9702 Newton Av S. Bloomington, MN 55431   Many Locations Nationwide	800-554-6077 sales@activarcpg.com www.activarcpg.com	Distributor:	Project:
		Contractor:	Approved By:
	Date:	Quantity:	Architect:
	Scale: N/A	Pages: 1 of 2	Item #
© 2023 Activar Construction Products Group, Inc.		THE INFORMATION CONTAINED IN THIS DOCUMENT IS THE SOLE PROPERTY OF ACTIVAR CONSTRUCTION PRODUCTS GROUP, INC. ANY REPRODUCTION IN PART OF AS A WHOLE WITHOUT THE WRITTEN PERMISSION OF ACTIVAR CONSTRUCTION PRODUCTS GROUP, INC. IS PROHIBITED.	
		<b>5/17/2023</b>	

TRIM & DOOR MATERIAL & SERIES			TUB I.D. in Inches			FRAME O.D.		WALL OPENING			ACCOMODATES FOLLOWING EXTINGUISHERS
QTY	STEEL	STYLE	A	B	C	E	F	W	H	D	
	1029	Surface Mount	13 11/16	27 3/16	6 1/2	13 7/8	27 3/8	--	--	--	Cosmic 2-1/2, 5, 6 and 10, Galaxy 2-1/2, 5-1/2 and 10, Sentinel 5, Mercury 2-1/2 and 5.

ADA Cabinet Mounting Height: Standard Pull on G, E, W, L22 and B Door Styles with Saf-T-Lok are 3 5/8" Higher than Door Center, so Allow for that When Mounting Cabinet.  
Standard Pull with No Lock or Flush Pull are Centered on Door.



- F - Full glass with pull handle
- G - Full glass with pull handle and Saf-T-Lok (not shown)
- D - Horizontal duo panel with pull handle
- E - Horizontal duo panel with pull handle and Saf-T-Lok (not shown)
- V - Vertical duo panel with pull handle
- W - Vertical duo panel with pull handle and Saf-T-Lok (not shown)
- S21 - Solid with pull handle
- L22 - Solid with pull handle and Saf-T-Lok (not shown)
- L24 - Solid with cylinder key lock and no handle (not shown)
- B - Solid with pull handle, view window and Saf-T-Lok

It is the responsibility of the customer to communicate specifications and product performance requirements that are needed for their application. This document is intended to convey potential product configurations and offerings. It is not to be used to imply or represent a specification or rating, of finished products shipped. Detailed, specific submittals can be created upon request. It is the responsibility of the customer to specify product accordingly to comply with local laws, codes, and ordinances.