

# SUBMITTAL: ACADEMY ALUMINUM FIRE-FX2™ FIRE EXTINGUISHER CABINETS - TRIMLESS RECESSED

The Academy Series Features an Aluminum Door, with 10 Door Styles & Optional Anodized Color. The FX2 Fire-Rated Trimless Series is Designed to be Installed Between the layers of Drywall or Under Plaster for a Flush, Finished Surface.

**Door Construction:** Anodized aluminum finish standard. Flush cabinet doors are attached by a continuous hinge and equipped with zinc-plated handle and roller catch.

**Flange for Drywall, Stucco or Plaster:** 1-1/2" wide recessed flange is to be concealed by drywall, stucco or plaster. 5/8" Drywall - first layer of drywall is to be installed before cabinet, second layer over flange after cabinet is installed. 3/4" depth Plaster or Stucco - fire-rated substrate is to be installed before cabinet, and plaster applied after cabinet is installed.

**Tub:** The tub is constructed of cold rolled steel with silver powder-coat finish standard. Tub forms a flange to cover cut edges of wallboard material. Fire-resistant material is attached to the exterior of the tub.

Fire Rating: Fire-FX2™ cabinets are UL listed and labeled as an approved membrane penetration firestop system for up to 2 hours in accordance with UL 1479 (ASTM-E814) and CAN/ULC-S115, when properly installed in a wall assembly according to installation instructions.



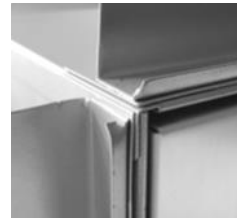
1024WV10FX2

**STEP 1: SELECT MODEL NUMBER AND QUANTITY ON CHART** (refer to chart on pg 2)

**STEP 2: SELECT DOOR STYLE WITH HANDLE**

Check one box below Examples on Page 2

- |   |  |
|---|--|
| <input type="checkbox"/> F Full Glazing in 1-1/4" wide Frame            | <input type="checkbox"/> L22 Solid with SAF-T-LOK™                     |
| <input type="checkbox"/> G Full Glazing with SAF-T-LOK™ in 1-1/4" Frame | <input type="checkbox"/> L24 Sold with Cylinder Lock - No Handle       |
| <input type="checkbox"/> D Horizontal Duo Panel                         | <input type="checkbox"/> V Vertical Duo                                |
| <input type="checkbox"/> E Horizontal Duo Panel with SAF-T-LOK™         | <input type="checkbox"/> W Vertical Duo with SAF-T-LOK™                |
| <input type="checkbox"/> S21 Solid Door                                 | <input type="checkbox"/> B Solid with 2" x 4" View Window & SAF-T-LOK™ |



Plaster Flange



Recessed Drywall Flange

**STEP 3: SELECT DOOR GLAZING**

(Check one box below)

- |   |  |  |
|---|--|--|
| <input type="checkbox"/> 10 Clear Acrylic               | <input type="checkbox"/> 15 Bronze Acrylic | <input type="checkbox"/> 17 Clear Tempered Glass   |
| <input type="checkbox"/> 13 Wire Glass with Safety Film | <input type="checkbox"/> 16 Gray Acrylic   | <input type="checkbox"/> 18 Laminated Safety Glass |

**STEP 4: OPTIONAL FEATURES AT ADDED COST (SELECT ANY)**

- |   |  |  |   |
|---|--|--|---|
| <input type="checkbox"/> Futura "Fire" Pull ___ Mill Alum ___ Red ___ White | <input type="checkbox"/> Black Vertical FE Letters LDCVBFE   | <input type="checkbox"/> Black Vertical Decal LDVBFE   | <input type="checkbox"/> (CA) Commander Alarm   |
| <input type="checkbox"/> Flush Recessed Pull Handle (PRH)                   | <input type="checkbox"/> Red Vertical FE Letters LDCVRFE     | <input type="checkbox"/> Red Vertical Decal LDVRFE     | <input type="checkbox"/> (BA) Brigadier Alarm   |
| <input type="checkbox"/> Polished Chrome Handle (PUCH)                      | <input type="checkbox"/> White Vertical FE Letters LDCVWFE   | <input type="checkbox"/> White Vertical Decal LDVWFE   | <input type="checkbox"/> Engraving or Silkscreen on Door (except dk bronze anodized),<br>Etching or Silk-screen on Glass. Check Box & Attach Separate<br>Submittal. |
| <input type="checkbox"/> Dark Bronze Anodized Door & Trim                   | <input type="checkbox"/> Black Horizontal FE Letters LDCHBFE | <input type="checkbox"/> Black Horizontal Decal LDHBFE |   |
|   | <input type="checkbox"/> Red Horizontal FE Letters LDCHRFE   | <input type="checkbox"/> Red Horizontal Decal LDHRFE   |   |
|   | <input type="checkbox"/> White Horizontal FE Letters LDCHWFE | <input type="checkbox"/> White Horizontal Decal LDHWFE |   |

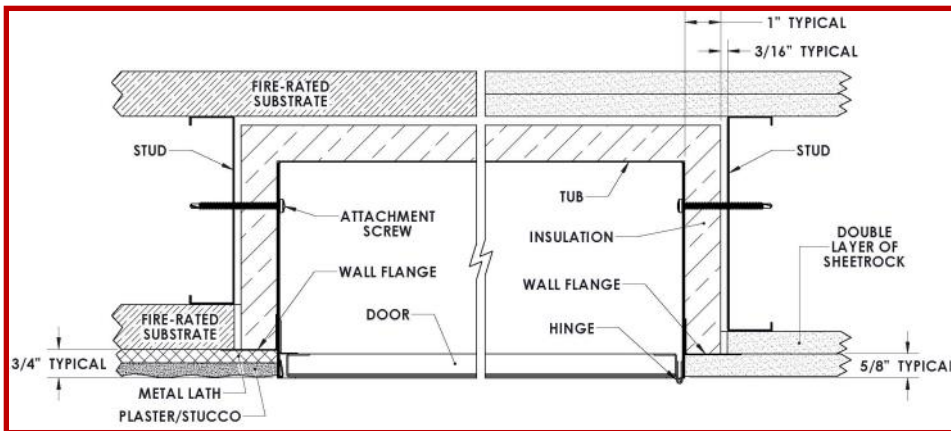
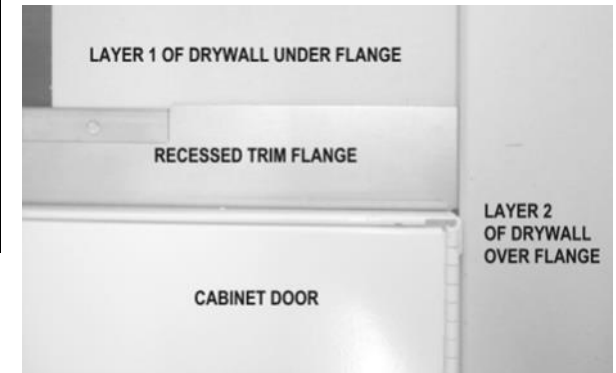
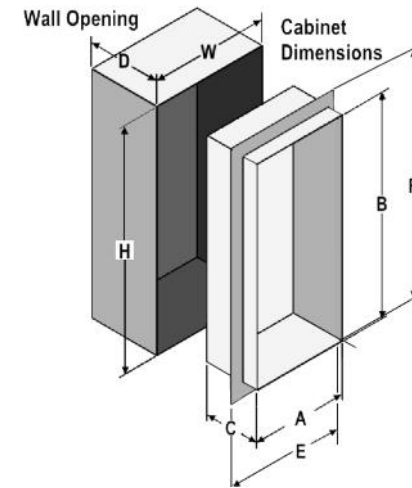
It is the responsibility of the customer to communicate specifications and product performance requirements that are needed for their application. This document is intended to convey potential product configurations and offerings. It is not to be used to imply or represent a specification or rating, of finished products shipped. Detailed, specific submittals can be created upon request. It is the responsibility of the customer to specify product accordingly to comply with local laws, codes, and ordinances.

|  |   |               |              |
|--|---|---------------|--------------|
| <p><b>JL INDUSTRIES</b></p> <p>9702 Newton Av S. Bloomington, MN 55431</p> | <p>800-554-6077</p> <p>sales@activarcpg.com</p> <p>www.activarcpg.com</p> | Distributor:  | Project:     |
|  |   | Contractor:   | Approved By: |
|  | Date:   | Quantity:     | Architect:   |
|  | Scale: N/A  | Pages: 1 of 1 | Item #       |

# SUBMITTAL: ACADEMY ALUMINUM FIRE-FX2™ FIRE EXTINGUISHER CABINETS - TRIMLESS RECESSED

| TRIM & DOOR SERIES #   |           |                      | Tub I.D. |          |         | Frame O.D. |          | Wall Opening |          |         | FITS FIRE EXTINGUISHERS  |
|--|-----------|----------------------|----------|----------|---------|------------|----------|--------------|----------|---------|--|
| QTY  | Model     | Trim Style           | A Width  | B Height | C Depth | E Width    | F Height | W Width      | H Height | D Depth |  |
| <b>TRIMLESS CABINET WITH RECESSED FLANGE FOR INSTALLATION OF 5/8" DRYWALL OVER AND UNDER FLANGE</b><br>Example of Part # 1024WF10FX2 |           |                      |          |          |         |            |          |              |          |         |  |
|  | 8124W_FX2 | Trimless•<br>Drywall | 9        | 18       | 5 1/2   | 12 1/8     | 21 1/8   | 11 5/16      | 20 5/16  | 6 3/16  | Cosmic & Galaxy 2 1/2-6 (6lb must be mounted on cabinet tub),<br>Mercury 2 1/2- 5  |
|  | 1024W_FX2 | Trimless•<br>Drywall | 10 1/2   | 24       | 6       | 13 5/8     | 27 1/8   | 12 13/16     | 26 5/16  | 6 11/16 | Cosmic & Galaxy 2 1/2-10<br>Mercury 2 1/2-5 , Sentinel 5   |
|  | 2024W_FX2 | Trimless•<br>Drywall | 12       | 27       | 7 3/4   | 15 1/8     | 30 1/8   | 14 5/16      | 29 5/16  | 8 7/16  | Any Cosmic or Galaxy (20 lb must be mounted to back of tub),<br>Mercury, Saturn or Grenadier P,<br>Sentinel 5 & 10, Nebula 270 |
| <b>TRIMLESS CABINET WITH RECESSED FLANGE FOR INSTALLATION OF 3/4" PLASTER OVER FLANGE</b><br>Example of Part # 8124PS21FX2           |           |                      |          |          |         |            |          |              |          |         |  |
|  | 8124P_FX2 | Trimless•<br>Plaster | 9        | 18       | 5 1/2   | 12 1/8     | 21 1/8   | 11 5/16      | 20 5/16  | 6 1/16  | Cosmic & Galaxy 2 1/2-6 (6lb must be mounted on cabinet tub),<br>Mercury 2 1/2- 5  |
|  | 1024P_FX2 | Trimless•<br>Plaster | 10 1/2   | 24       | 6       | 13 5/8     | 27 1/8   | 12 13/16     | 26 5/16  | 6 9/16  | Cosmic & Galaxy 2 1/2-10<br>Mercury 2 1/2-5 , Sentinel 5   |
|  | 2024P_FX2 | Trimless•<br>Plaster | 12       | 27       | 7 3/4   | 15 1/8     | 30 1/8   | 14 5/16      | 29 5/16  | 8 5/16  | Any Cosmic or Galaxy (20 lb must be mounted to back of tub),<br>Mercury, Saturn or Grenadier P,<br>Sentinel 5 & 10, Nebula 270 |

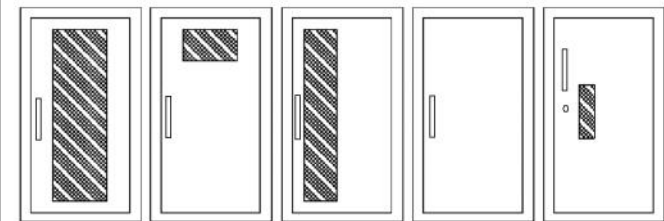
• Cabinets meet 4" ADA projection requirements.



**3/4" PLASTER (P)**                      **5/8" DRYWALL (W)**  
See Installation Instructions for Complete Details

**ADA Cabinet Mounting Height:**  
Standard Pull on G, E, W, L22 and B Door Styles with Saf-T-Lok are 3 5/8" Higher than Door Center, so Allow for that When Mounting Cabinet.  
  
Standard Pull with No Lock or Flush Pull are Centered on Door.

### DRYWALL INSTALLATION EXAMPLE



- F - Full glass with pull handle
- D - Horizontal duo panel with pull handle
- V - Vertical duo panel with pull handle
- S21 - Solid with pull handle
- B - Solid with pull handle, view window and Saf-T-Lok
- G - Full glass with pull handle and Saf-T-Lok (Not Shown)
- E - Horizontal duo panel with pull handle and Saf-T-Lok. (Not Shown)
- W - Vertical duo panel with pull handle and Saf-T-Lok. (Not Shown)
- L22 - Solid with pull handle and Saf-T-Lok
- L24 - Solid with cylinder key lock and no handle