

SUBMITTAL: ACADEMY™ ALUMINUM FIRE EXTINGUISHER CABINETS TRIMLESS MODELS

The Academy Series Features an Aluminum Door, with 10 Door Styles & Optional Anodized Color. This Fully Recessed Cabinet with Concealed Trim is Designed to be Installed Over Drywall, or Under Plaster for a Flush Finished Surface.

Door Construction: Anodized aluminum finish standard. Flush cabinet doors are attached by a continuous hinge and equipped with zinc-plated handle and roller catch. Recessed flange that will be concealed by drywall, stucco or plaster is 1-1/4" wide.

Concealed Flange Style: Drywall bead for installation over drywall or plaster flange with stop with 3/4" plaster allowance.

Tub: The tub is constructed of cold rolled steel with silver powder-coat finish standard. Tub includes a 1-1/4" wide flange to cover the all opening, and is designed to be concealed by drywall, plaster or stucco.

Fire-Rated Option Available: Yes - See separate Submittal Form. (Note FX version is designed to be installed between layers of drywall).

STEP 1: SELECT MODEL NUMBER AND QUANTITY ON CHART (refer to chart on pg 2)

- A. Determine Trim Style according to wall depth.
- B. Determine Tub I.D. according to size most suited for extinguisher and wall opening.

STEP 2: SELECT DOOR STYLE WITH HANDLE

- | | |
|---|--|
| <input type="checkbox"/> F Full Glazing | <input type="checkbox"/> L22 Solid with SAF-T-LOK |
| <input type="checkbox"/> G Full Glazing with SAF-T-LOK™ | <input type="checkbox"/> L24 Sold with Cylinder Lock - No Handle |
| <input type="checkbox"/> D Horizontal Duo Panel | <input type="checkbox"/> V Vertical Duo |
| <input type="checkbox"/> E Horizontal Duo Panel with SAF-T-LOK | <input type="checkbox"/> W Vertical Duo with SAF-T-LOK |
| <input type="checkbox"/> S21 Solid Door | <input type="checkbox"/> B Solid with 2" x 4" View Window & SAF-T-LOK |

Check one box below Examples on Page 2



Plaster Flange

Drywall Bead Flange



1024WV10

STEP 3: SELECT DOOR GLAZING


(Check one box below)

- | | | |
|--|---|---|
| <input type="checkbox"/> 10 Clear Acrylic | <input type="checkbox"/> 15 Bronze Acrylic | <input type="checkbox"/> 17 Clear Tempered Glass |
| <input type="checkbox"/> 13 Clear Wire Glass with Safety Film | <input type="checkbox"/> 16 Gray Acrylic | <input type="checkbox"/> 18 Laminated Safety Glass |

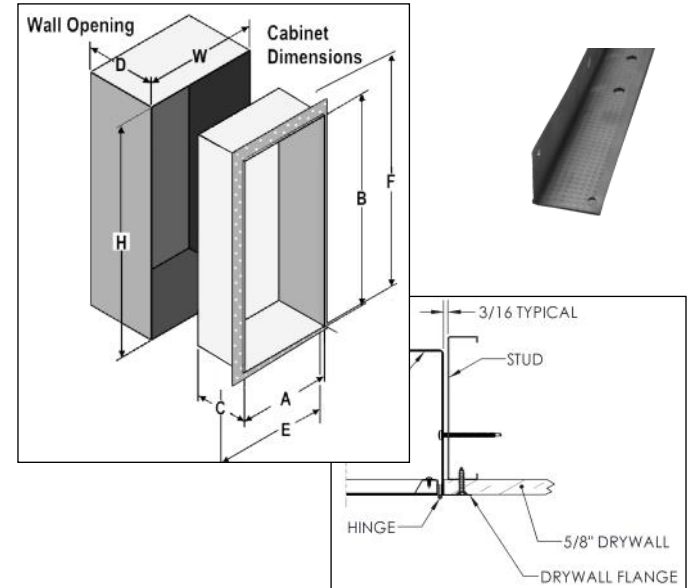
STEP 4: OPTIONAL FEATURES AT ADDED COST (SELECT ANY)

- | | | | |
|---|---|---|--|
| <input type="checkbox"/> Futura "Fire" Pull ___ Mill Alum ___ Red ___ White | <input type="checkbox"/> White Vertical FE Letters LDCVWFE | <input type="checkbox"/> Red Vertical Decal LDVRFE | <input type="checkbox"/> (CA) Commander Alarm |
| <input type="checkbox"/> Flush Pull Handle (PRH) | <input type="checkbox"/> Black Horizontal FE Letters LDCHBFE | <input type="checkbox"/> White Vertical Decal LDVWFE | <input type="checkbox"/> (BA) Brigadier Alarm |
| <input type="checkbox"/> Polished Chrome Handle (PUCH) | <input type="checkbox"/> Red Horizontal FE Letters LDCHRFE | <input type="checkbox"/> Black Horizontal Decal LDHBFE | <input type="checkbox"/> (SA) Strobe Alarm (Surface mount models) |
| <input type="checkbox"/> Black Vertical FE Letters LDCVBFE | <input type="checkbox"/> White Horizontal FE Letters LDCHWFE | <input type="checkbox"/> Red Horizontal Decal LDHRFE | <input type="checkbox"/> Engraving or Silkscreen on Door (except dark bronze anodized), |
| <input type="checkbox"/> Red Vertical FE Letters LDCVRFE | <input type="checkbox"/> Black Vertical Decal LDVBFE | <input type="checkbox"/> White Horizontal Decal LDHWFE | <input type="checkbox"/> Etching or Silk-screen on Glass. Check Box & Attach Separate Submittal. |
| <input type="checkbox"/> Dark Bronze Anodized Door & Trim | | | |

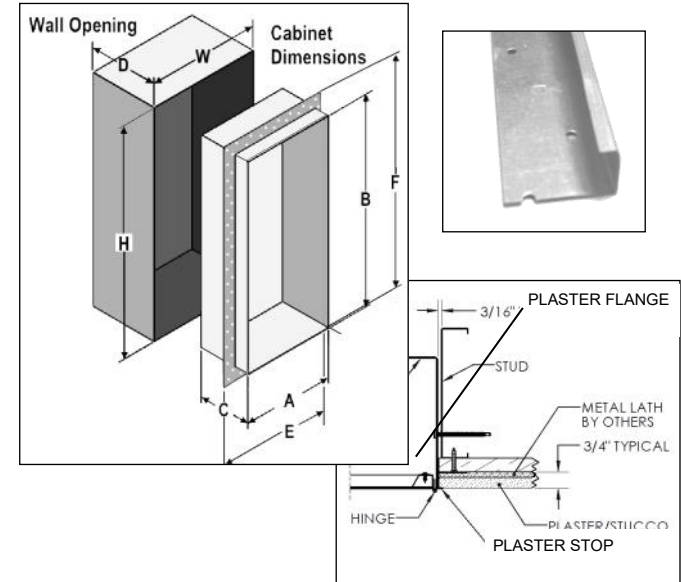
It is the responsibility of the customer to communicate specifications and product performance requirements that are needed for their application. This document is intended to convey potential product configurations and offerings. It is not to be used to imply or represent a specification or rating, of finished products shipped. Detailed, specific submittals can be created upon request. It is the responsibility of the customer to specify product accordingly to comply with local laws, codes, and ordinances.

 JL INDUSTRIES 9702 Newton Av S. Bloomington, MN 55431	800-554-6077 sales@activarcpg.com www.activarcpg.com	Distributor:	Project:
		Contractor:	Approved By:
	Date:	Quantity:	Architect:
	Scale: N/A	Pages: 1 of 1	Item #

TRIM & DOOR SERIES #			Tub I.D.			Frame O.D.		Wall Opening			
QTY	Model	Trim Style	A	B	C	E	F	W	H	D	
TRIMLESS CABINET WITH DRYWALL BEAD FLANGE FOR INSTALLATION OVER DRYWALL											
Example of Part # 8214WF10											
	8124W	Trimless Drywall ●	9	18	5 1/2	11 1/2	20 1/2	10	19	5 5/8	Cosmic & Galaxy 2 1/2-6 (6 lb must be mounted on tub wall), Mercury 2 1/2- 5
	1024W	Trimless Drywall ●	10 5/8	24	6	13	26 1/2	11 1/2	25	6 1/8	Cosmic & Galaxy 2 1/2-10 Mercury 2 1/2-5 , Sentinel 5
	2024W	Trimless Drywall ●	12	27	7 3/4	14 1/2	29 1/2	13	28	7 7/8	Any Cosmic or Galaxy (20 lb must be mounted on tub wall), Mercury, Saturn or Grenadier P, Sentinel 5 & 10, Nebula 270
TRIMLESS CABINET WITH RECESSED FLANGE FOR INSTALLATION OF 3/4" PLASTER OVER FLANGE											
Example of Part # 8124PF10											
	8124P	Trimless Plaster ●	9	18	5 1/2	11 1/2	20 1/2	10	19	4 7/8	Cosmic & Galaxy 2 1/2-6 (6 lb must be mounted on tub wall), Mercury 2 1/2- 5
	1024P	Trimless Plaster ●	10 5/8	24	6	13	26 1/2	11 1/2	25	5 3/8	Cosmic & Galaxy 2 1/2-10 Mercury 2 1/2-5 , Sentinel 5
	2024P	Trimless Plaster ●	12	27	7 3/4	14 1/2	29 1/2	13	28	7 1/8	Any Cosmic or Galaxy (20 lb must be mounted on tub wall), Mercury, Saturn or Grenadier P, Sentinel 5 & 10, Nebula 270

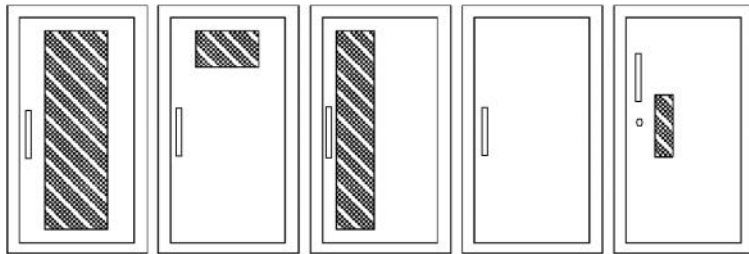


TRIMLESS FLANGE FOR 5/8" DRYWALL (W)



TRIMLESS RECESSED FLANGE FOR 3/4" PLASTER (P)

● Cabinets that Meet 4" Maximum ADA Projection Requirement



ADA Cabinet Mounting Height: Standard Pull on G, E, W, L22 and B Door Styles with Saf-T-Lok are 3 5/8" Higher than Door Center, so Allow for that When Mounting Cabinet.

Standard Pull with No Lock or ADA Recessed Pull are Centered on Door.

- F - Full glass with pull handle
- D - Horizontal duo panel with pull handle
- V - Vertical duo panel with pull handle
- S21 - Solid with pull handle
- B - Solid with pull handle, view window and Saf-T-Lok
- G - Full glass with pull handle and Saf-T-Lok (Not Shown)
- E - Horizontal duo panel with pull handle and Saf-T-Lok. (Not Shown)
- W - Vertical duo panel with pull handle and Saf-T-Lok. (Not Shown)
- L22 - Solid with pull handle and Saf-T-Lok
- L24 - Solid with cylinder key lock and no handle