

SUBMITTAL: CAVALIER FIRE-FX2™ BRONZE AND BRASS FIRE-RATED EXTINGUISHER CABINET

Select the Beauty and Upscale Finish of Bronze or Brass to add a Luxurious Look to Your Next Project.

Door and Trim Construction: Cabinets are available in US 10 satin bronze or US 3 polished brass. Flush cabinet doors with a 5/8" door stop are attached by a continuous hinge and equipped with pull handle of material matching the finish, and roller catch. All models have 1-3/4" wide trim on frame and 1-1/4" trim on doors with glazing. Can also be ordered with our theft-deterrent Saf-t-Lok™ which features a cylinder lock with a plastic cam allowing the door to be opened with a sharp tug.

Trim Style and Depth: Recessed - 3/8" flat trim. Semi-Recessed - 1 1/4", 1 1/2" Square Edge or 3" Rolled Edge. Surface-mount has a square edge.

Tub: The tub is constructed of cold rolled steel with white powder-coat finish standard. Fire-resistant material is attached to the exterior of the tub.

Fire Rating: Fire-FX2™ cabinets are UL listed and labeled as an approved membrane penetration firestop system for up to 2 hours in accordance with UL 1479 (ASTM-E814) and CAN/ULC-S115, when properly installed in a wall assembly according to installation instructions.

STEP 1: Select Model from Chart on Page 2

- A. Determine Trim Style according to wall depth.
- B. Determine Tub I.D. according to size most suited for extinguisher and wall opening.
- C. Select Model and Material

STEP 2: Select Door Style with Pull Below: (See page 2 to view styles)

- | | | |
|--|--|--|
| <input type="checkbox"/> F Full Glazing | <input type="checkbox"/> S21 Solid | <input type="checkbox"/> V Vertical Duo |
| <input type="checkbox"/> G Full Glazing & Saf-t-Lok | <input type="checkbox"/> L22 Solid & Saf-T-Lok | <input type="checkbox"/> W Vertical Duo & Saf-T-Lok |
| <input type="checkbox"/> D Horizontal Duo Panel | <input type="checkbox"/> L24 Solid with Cylinder Lock & No Handle | |
| <input type="checkbox"/> E Horizontal Duo Panel & Saf-T-Lok | <input type="checkbox"/> B10 Solid with Glass Insert & Saf-T-Lok | |

STEP 3: Select Door Glazing Below

- | | | |
|---|---|---|
| <input type="checkbox"/> 10 Clear Acrylic | <input type="checkbox"/> 15 Bronze Acrylic | <input type="checkbox"/> 17 Clear Tempered Glass |
| <input type="checkbox"/> 13 Clear Wire Glass w/Safety Film | <input type="checkbox"/> 16 Gray Acrylic | <input type="checkbox"/> 18 Laminated Safety Glass |

STEP 4: Options at Additional Cost (Select Any)

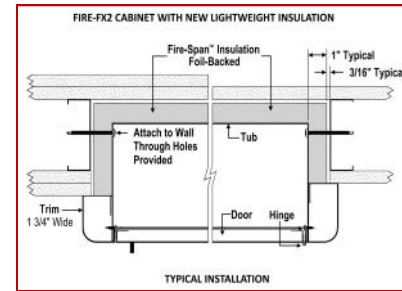
- | | | | |
|--|--|--|---|
| <input type="checkbox"/> Futura "Fire" Pull ___ Mill Alum ___ Red ___ White | <input type="checkbox"/> Black Vertical FE Letters LDCVBF | <input type="checkbox"/> Black Vertical Decal LDVBF | <input type="checkbox"/> CA Commander Alarm |
| <input type="checkbox"/> Flush Pull Handle PRH | <input type="checkbox"/> Red Vertical FE Letters LDCVRF | <input type="checkbox"/> Red Vertical Decal LDVRF | <input type="checkbox"/> BA Brigadier Alarm |
| <input type="checkbox"/> Optional Color Tub ___ Black ___ Red | <input type="checkbox"/> White Vertical FE Letters LDCVWF | <input type="checkbox"/> White Vertical Decal LDVWF | |
| <input type="checkbox"/> US9 Bright Polished Door & Trim (Pull of Matching Material) | <input type="checkbox"/> Black Horizontal FE Letters LDCHBF | <input type="checkbox"/> Black Horizontal Decal LDHBF | <input type="checkbox"/> Vertical Red FE Silkscreen Lettering on Glass - SSFELVR |
| <input type="checkbox"/> US4 Satin Brass Door & Trim (Pull of Matching Material) | <input type="checkbox"/> Red Horizontal FE Letters LDCHRF | <input type="checkbox"/> Red Horizontal Decal LDHRF | <input type="checkbox"/> Lettering: Etched on Glass, Silkscreen on Glass, Custom Vinyl |
| | <input type="checkbox"/> White Horizontal FE Letters LDCHWF | <input type="checkbox"/> White Horizontal Decal LDHWF | Attach separate submittal to order. |



1855S21FX2



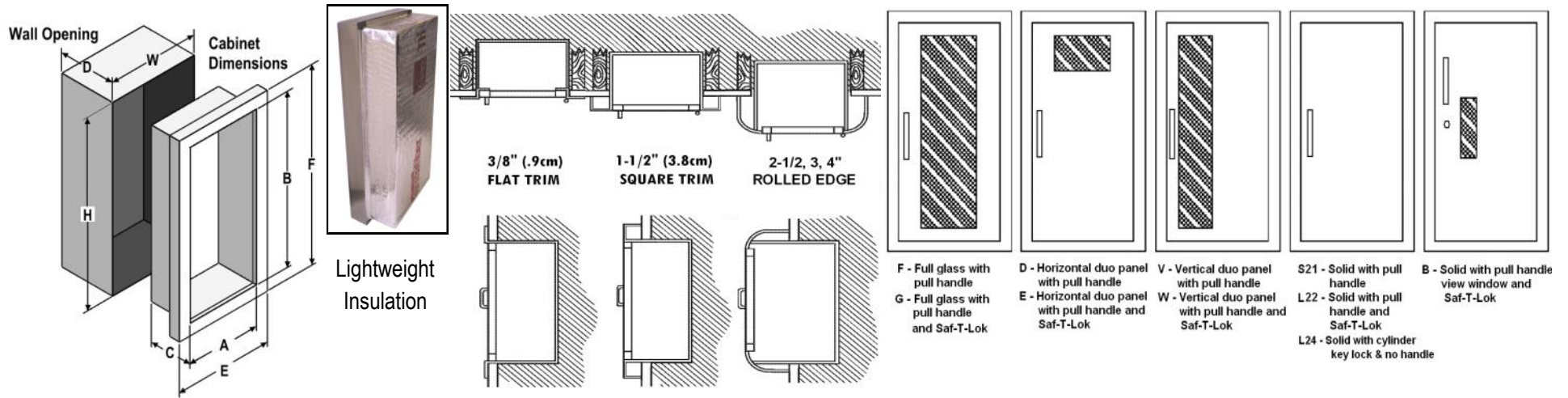
1847S21FX2



It is the responsibility of the customer to communicate specifications and product performance requirements that are needed for their application. This document is intended to convey potential product configurations and offerings. It is not to be used to imply or represent a specification or rating, of finished products shipped. Detailed, specific submittals can be created upon request. It is the responsibility of the customer to specify product accordingly to comply with local laws, codes, and ordinances.

<p>JL INDUSTRIES</p> <p>9702 Newton Av S. Bloomington, MN 55431</p>	800-554-6077	Distributor:		Project:
	sales@activarcpg.com	Contractor:		Approved By:
	www.activarcpg.com	Date:	Quantity:	Architect:
		Scale: N/A	Pages: 1 of 2	Item #

SUBMITTAL: CAVALIER FIRE-FX2 FIRE-RATED EXTINGUISHER CABINET



Trim and Door Material and Series #		Tub I.D.			Frame O.D.		FX Wall Opening			Accommodates Extinguishers					
QTY	US10 Satin Bronze	QTY	US10B Oil Rubbed Bronze	QTY	US3 Polished Brass	Trim Style	A	B	C		E	F	W	H	D
	1845		1885		1855	Flat Trim	10 1/2	24	5 1/2	13 7/8	27 3/8	12 13/16	26 5/16	6 7/16	Cosmic & Galaxy 2 1/2-6 (6lb must be mounted on tub), Mercury 2 1/2, 5
	1846		1886		1856	1 1/2" Square	10 1/2	24	5 1/2	13 7/8	27 3/8	12 13/16	26 5/16	5 13/16	
	1847		1887		1857	3" Rolled	10 1/2	24	5 1/2	13 7/8	27 3/8	12 13/16	26 5/16	3 5/8	
	1045		1085		1055	Flat Trim	10 1/2	24	6	13 7/8	27 3/8	12 13/16	26 5/16	6 15/16	Cosmic & Galaxy 2 1/2-10 Sentinel 5, Mercury 2 1/2, 5
	1046		1086		1056	1 1/2" Square	10 1/2	24	6	13 7/8	27 3/8	12 13/16	26 5/16	5 11/16	
	1047		1087		1057	3" Rolled	10 1/2	24	6	13 7/8	27 3/8	12 13/16	26 5/16	4	
	2045		2085		2055	Flat Trim	12	27	7 3/4	15 3/8	30 3/8	14 5/16	29 5/16	8 11/16	Any Cosmic or Galaxy (20 lb must be mounted on tub), Mercury, Saturn or Grenadier P, Sentinel 5, 10, Nebula 270
	2046		2086		2056	1 1/4" Square	12	27	7 3/4	15 3/8	30 3/8	14 5/16	29 5/16	7 11/16	



2086V10FX2
US10B Oil-Rubbed Finish with White Vertical Diecut Letters LDCVWFE

All Cabinets Meet 4" Maximum ADA Projection Requirement