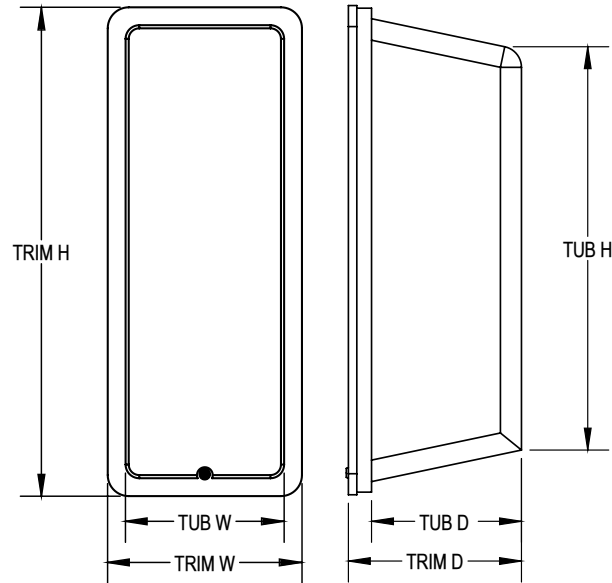


FIRE EXTINGUISHER CABINET - CHIEF

Cato's affordable fire extinguisher series, manufactured in the U.S, provides a dent and rust proof alternative to metal. Cato's Chief series fire extinguisher cabinets feature a security hexagonal lock and key to open and remove the trim and acrylic panel, which features scored lines to easily break when struck with tool in case of fire.



SPECIFICATIONS:

Tube and Trim Material: Injection molded high impact polystyrene in .110 thickness with ultra-violet inhibitors for UV resistance

Tube and Trim Colors: Available in red or white

Cover Material: .080 Acrylic front panel, grid scored for improved emergency access with break tool

Acrylic Colors: Available in clear or red (for best outdoor UV resistance)

Break Tool: Polypropylene injection molded aluminum tipped hammer with ribbed grip handle and a clear nylon coated stainless steel cable that matches trim color

Break Tool Option: Stainless steel break bar

Decals: UV resistant "FIRE" and "Break Panel" decals included

Hardware: ABS hexagonal lock and keys (2) installed

Sizes: Refer to table, listing model sizes with their compatible extinguishers from 2.5 - 20 lbs

Additional Options: Fire extinguisher rust prevention tray

QTY	MODEL NUMBER	PREVIOUS MODEL NUMBER	TUB INNER DIMENSION W x H x D*	TRIM OUTER DIMENSION W x H x D*	WALL OPENING	WEIGHT (LBS.)*	COMPATIBLE FIRE EXTINGUISHERS
	10501 (white)	105-5	6" x 16-3/4" x 5-3/8"	8-1/4" x 19-1/4" x 6-3/4"	Surface Mount	3.5	Cosmic 2.5-5 Galaxy 2.5-5
	10551 (red)						
	11001 (white)	105-10	6-3/4" x 20-1/2" x 6"	9-1/4" x 23-1/4" x 7-1/4"	Surface Mount	4.5	Cosmic 2.5-10 Galaxy 2.5-10 Mercury 2.5-11
	11051 (red)						
	12001 (white)	105-20	9" x 26" x 8"	11-1/2" x 28-1/2" x 9 1/2"	Surface Mount	6	Cosmic 2.5-20 Galaxy 2.5-20 Mercury 2.5-15.5 Sentinel 5, Saturn 15
	12051 (red)						

*All dimensions and weights are based upon individual cabinet size
Note: For the full model number guide, see page 2

BREAK TOOL (Hammer color matches trim color)	
H 10011R Red Hammer Assembly	
H 10011W White Hammer Assembly	
B 10008 Stainless Steel Break Bar	



800-554-6077
sales@activarcpg.com
www.activarcpg.com

9702 Newton Avenue S, Bloomington, MN 55431

© 2024 Activar Construction Products Group, Inc.

Distributor:

Project:

Contractor:

Approved By:

Date:

Architect:

Scale: N/A

Pages: 1 of 2

Item #:

THE INFORMATION CONTAINED IN THIS DRAWING IS THE SOLE PROPERTY OF ACTIVAR CONSTRUCTION PRODUCTS GROUP, INC. ANY REPRODUCTION IN PART OR AS A WHOLE WITHOUT WRITTEN PERMISSION IS PROHIBITED.

5-7-2024

FIRE EXTINGUISHER CABINET - CHIEF

DECALS	
ITEM	DESCRIPTION
CL-401R	Fire Extinguisher "Fire" with red background 3" x 9"
CL-401W	Fire Extinguisher "Fire" with white background 3" x 9"
CL-403	Arrow 4"X18"
CL-412	Fire Extinguisher "Fire Extinguisher" 1"X15"
CL-413	Arrow "Fire Extinguisher" 4"X12"
CL-415	"Break Panel" 2" x 3-½"
CL-416	"Felony Warning" Red 3" x 5"
CL-422	"Extinguisher Missing" 1-½" x 8-½"

ACCESSORIES	
ITEM	DESCRIPTION
10300	Fire Extinguisher Rust Prevention Tray (not available for 20 lb.)



10300 - Fire Extinguisher Rust Prevention Tray Accessory

Decals Included



CL-415 Decal

CL-401 Decal available with red or white background

Hex Key Included



10006R - Red Hex Key
Also available in white 10006W
Installed key matches trim color

CHIEF REPLACEMENT PARTS	
ITEM	FITS PREVIOUS MODEL / DESCRIPTION
10503-D	105-5 White Tub
10553-D	105-5 Red Tub
10001W	White Lock Assembly
10001R	Red Lock Assembly
10505	105-5 White Trim & Lock
10555	105-5 Red Trim & Lock
10575-D	105-5 Clear Plexiglass
11003-D	105-10 White Tub
11053-D	105-10 Red Tub
11005	105-10 White Trim & Lock
11055	105-10 Red Trim & Lock
11075-D	105-10 Clear Plexiglass
11065-D	105-10 Red Plexiglass
12003-D	105-20 White Tub
12053-D	105-20 Red Tub
12005	105-20 White Trim & Lock
12055	105-20 Red Trim & Lock
12075-D	105-20 Clear Plexiglass

ORDER GUIDE - FIRE EXTINGUISHER CABINET CHIEF SERIES - EXAMPLE: C10551-H

QTY	PREFIX	PRODUCT SERIES	TUB/TRIM/ACRYLIC COLOR	OPENING METHOD	ASSEMBLED/UNASSEMBLED* Qty per package	OPTIONS
	C (Cabinet)	105 Chief 5 lb. (105-5)	01 WWC White tub/body, white trim, clear acrylic	H Hammer (color matches trim)	(none) Unassembled Bulk packed based on qty Max per box packaging standards	ET Fire Extinguisher Rust Prevention Tray ‡
		110 Chief 10 lb. (105-10)	02 WWR White tub/body, white trim, red acrylic	B Stainless Steel Break Bar	I Cabinets are individually assembled and packaged	‡ For 5 & 10 lb. sizes only
		120 Chief 20 lb. (105-20)	13 WRC White tub/body, red trim, clear acrylic			
			51 RRC Red tub/body, red trim, clear acrylic			
			52 RRR Red tub/body, red trim, red acrylic			
			63 RWC Red tub/body, white trim, clear acrylic			

*Cabinets come unassembled and bulk packaged as standard option

It is the responsibility of the customer to communicate specifications and product performance requirements that are needed for their application. This document is intended to convey potential product configurations and offerings. It is not to be used to imply or represent a specification or rating, of finished products shipped. Detailed, specific submittals can be created upon request. It is the responsibility of the customer to specify product accordingly to comply with local laws, codes, and ordinances.