

The Cosmopolitan Series in Stainless Steel Is a Modern, Clean Look for Recessed & Surface-Mounted Extinguisher Cabinets.

Door & Trim Construction: # 4 stainless steel. Flush cabinet doors with a 5/8" door stop are attached by a continuous hinge and equipped with zinc-plated handle and roller catch. All models have 1-3/4" wide trim on frame and 1-1/4" trim on doors with glazing.

Trim Style & Depth: *Recessed* - 3/8" flat trim, *Semi Recessed* - 1-1/4", 1-1/2" Square Edge or 2-1/2", 3", 4", 4-1/2" Rolled Edge (4" has recessed Flush pull). See separate submittal for Trimless models.

Tub: The tub is constructed of cold rolled steel with white powder-coat finish standard. Tub forms a flange to cover cut edges of wallboard material. Fire-resistant material is attached to the exterior of the tub

Fire Rating: Fire-FX2™ cabinets are UL listed and labeled as an approved membrane penetration firestop system for up to 2 hours in accordance with UL 1479 (ASTM-E814) and CAN/ULC-S115, when properly installed in a wall assembly according to installation instructions.

STEP 1: SELECT MODEL NUMBER AND QUANTITY ON CHART (refer to chart on pg 2)

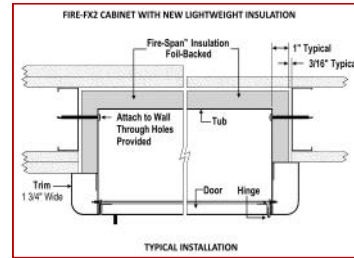
A. Determine Trim Style according to wall depth. B. Determine Tub I.D. according to size most suited for extinguisher and wall opening.

STEP 2: SELECT DOOR STYLE WITH HANDLE

- F** Full Glazing
- G** Full Glazing with SAF-T-LOK™
- D** Horizontal Duo Panel
- E** Horizontal Dual Panel with SAF-T-LOK
- S21** Solid Door

Check one box below Examples on Page 2

- L22** Solid with SAF-T-LOK
- L24** Sold with Cylinder Lock - No Handle
- V** Vertical Duo
- W** Vertical Duo with SAF-T-LOK
- B** Solid with 2" x 4" View Window & SAF-T-LOK



**1835F10FX2
Recessed**

**1037V10FX2
3" Rolled Edge
Semi-Recessed**

STEP 3: SELECT DOOR GLAZING

(Check one box below)

- 10** Clear Acrylic
- 15** Bronze Acrylic
- 17** Clear Tempered Glass
- 13** Clear Wire Glass with Safety Film
- 16** Gray Acrylic
- 18** Laminated Safety Glass

STEP 4: OPTIONAL FEATURES AT ADDED COST (SELECT ANY)

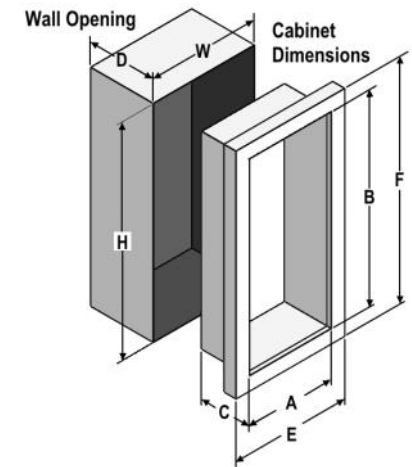
- | | | | |
|---|--|--|---|
| <input type="checkbox"/> Optional Tub Color: ___ Black ___ Red | <input type="checkbox"/> Black Vertical FE Letters LDCVBF | <input type="checkbox"/> Black Vertical Decal LDVBF | <input type="checkbox"/> Stainless Tub |
| <input type="checkbox"/> Futura "Fire" Pull ___ Mill Alum ___ Red ___ White | <input type="checkbox"/> Red Vertical FE Letters LDCVRF | <input type="checkbox"/> Red Vertical Decal LDVRF | <input type="checkbox"/> (CA) Commander Alarm |
| <input type="checkbox"/> Flush Pull Handle PRH | <input type="checkbox"/> White Vertical FE Letters LDCVWF | <input type="checkbox"/> White Vertical Decal LDVWF | <input type="checkbox"/> (BA) Brigadier Alarm |
| <input type="checkbox"/> Polished Chrome Handle PUCH | <input type="checkbox"/> Black Horizontal FE Letters LDCHBF | <input type="checkbox"/> Black Horizontal Decal LDHBF | <input type="checkbox"/> Vertical Red FE Silkscreen Lettering- SSFELVR ___ Door ___ Glass |
| <input type="checkbox"/> Stainless Pull Handle PUS-US32D | <input type="checkbox"/> Red Horizontal FE Letters LDCHRF | <input type="checkbox"/> Red Horizontal Decal LDHRF | <input type="checkbox"/> Lettering: Etched on Glass, Engraved on Metal, Silkscreen; Not available for #7 or #8 finish on doors. Attach separate submittal to order. |
| <input type="checkbox"/> Other Stainless Finish: ___ #6 ___ #7 ___ #8 | <input type="checkbox"/> White Horizontal FE Letters LDCHWF | <input type="checkbox"/> White Horizontal Decal LDHWF | |

It is the responsibility of the customer to communicate specifications and product performance requirements that are needed for their application. This document is intended to convey potential product configurations and offerings. It is not to be used to imply or represent a specification or rating, of finished products shipped. Detailed, specific submittals can be created upon request. It is the responsibility of the customer to specify product accordingly to comply with local laws, codes, and ordinances.

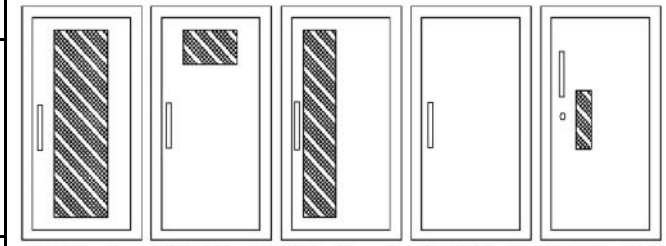
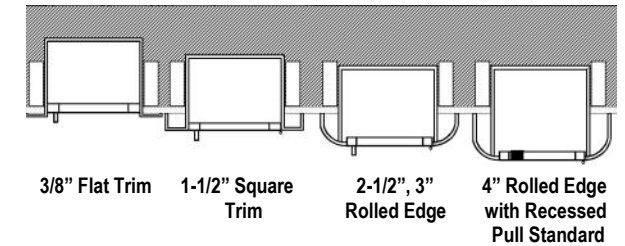
<p>JL INDUSTRIES</p> <p>9702 Newton Av S. Bloomington, MN 55431</p>	800-554-6077 sales@activarcpg.com www.activarcpg.com	Distributor:	Project:	
			Contractor:	Approved By:
			Date:	Quantity:
			Scale: N/A	Pages: 1 of 1
				Architect:
			Item #	

SUBMITTAL: COSMOPOLITAN STAINLESS FIRE-FX2 EXTINGUISHER CABINETS

TRIM & DOOR SERIES #			Tub I.D.			Frame O.D.		FX Wall Openings			Fits Fire Extinguisher
QTY	Model	Trim Style (in)	A	B	C	E	F	W	H	D	
	8135	Flat 3/8" Trim ●	9	18	5 1/2	12 3/8	21 3/8	11 5/16	20 5/16	6 7/16	Cosmic & Galaxy 2 1/2-6 (6 lb must be mounted to back of tub), Mercury 2 1/2- 5
	8136	1 1/2 Square ●	9	18	5 1/2	12 3/8	21 3/8	11 5/16	20 5/16	5 3/16	
	8137	2 1/2 Rolled ●	9	18	5 1/2	12 3/8	21 3/8	11 5/16	20 5/16	4	
	1730	2-1/4 Square ●	10 1/2	24	5	13 7/8	27 3/8	12 13/16	26 5/16	4	Cosmic/Gal/Merc 2-5
	1835	Flat 3/8" Trim ●	10 1/2	24	5 1/2	13 7/8	27 3/8	12 13/16	26 5/16	6 7/16	Cosmic & Galaxy 2 1/2-6 (6 lb must be mounted to back of tub), Mercury 2 1/2- 5
	1836	1 1/2 Square ●	10 1/2	24	5 1/2	13 7/8	27 3/8	12 13/16	26 5/16	5 3/16	
	1837	3 Rolled ●	10 1/2	24	5 1/2	13 7/8	27 3/8	12 13/16	26 5/16	3 11/16	
	1832	4 Rolled/Flush Pull ●	10 1/2	24	5 1/2	13 7/8	27 3/8	12 13/16	26 5/16	2 7/8	
	1838	4 1/2 Rolled	10 1/2	24	5 1/2	13 7/8	27 3/8	12 13/16	26 5/16	2 3/16	
	1035	Flat 3/8" Trim ●	10 1/2	24	6	13 7/8	27 3/8	12 13/16	26 5/16	6 15/16	Cosmic & Galaxy 2 1/2-10 Mercury 2 1/2-5, Sentinel 5
	1036	1 1/2 Square ●	10 1/2	24	6	13 7/8	27 3/8	12 13/16	26 5/16	5 11/16	
	1037	3 Rolled ●	10 1/2	24	6	13 7/8	27 3/8	12 13/16	26 5/16	4	
	1032	4 Rolled/Flush Pull ●	10 1/2	24	6	13 7/8	27 3/8	12 13/16	26 5/16	3 3/8	
	1038	4 1/2 Rolled	10 1/2	24	6	13 7/8	27 3/8	12 13/16	26 5/16	2 11/16	
	2035	Flat 3/8" Trim ●	12	27	7 3/4	15 3/8	30 3/8	14 5/16	29 5/16	8 11/16	Any Cosmic or Galaxy (20 lb must be mounted to back of tub), Mercury, Saturn or Grenadier P, Sentinel 5 & 10, Nebula 270
	2036	1 1/4 Square ●	12	27	7 3/4	15 3/8	30 3/8	14 5/16	29 5/16	7 11/16	
	2037	2 1/2 Rolled ●	12	27	7 3/4	15 3/8	30 3/8	14 5/16	29 5/16	6 7/16	
	2032	4 Rolled/Flush Pull ●	12	27	7 3/4	15 3/8	30 3/8	14 5/16	29 5/16	5 1/8	
	2038	4 1/2 Rolled	12	27	7 3/4	15 3/8	30 3/8	14 5/16	29 5/16	4 7/16	
	3035	Flat 3/8" Trim ●	16	32	7 3/4	19 3/8	35 3/8	18 5/16	34 5/16	8 11/16	Any Cosmic or Galaxy (20 lb must be mounted to back of tub), Mercury, Saturn or Grenadier P, Sentinel 5-15, Nebula 270, 272, 250
	3036	1 1/4 Square ●	16	32	7 3/4	19 3/8	35 3/8	18 5/16	34 5/16	7 11/16	
	3037	2 1/2 Rolled ●	16	32	7 3/4	19 3/8	35 3/8	18 5/16	34 5/16	6 7/16	
	3032	4 Rolled/Flush Pull ●	16	32	7 3/4	19 3/8	35 3/8	18 5/16	34 5/16	5 1/8	
	3038	4 1/2 Rolled	16	32	7 3/4	19 3/8	35 3/8	18 5/16	34 5/16	4 7/16	
	4035	Flat 3/8" Trim ●	20	27	7 3/4	23 3/8	30 3/8	22 5/16	29 5/16	8 11/16	Two each of: any Cosmic or Galaxy (20 lb must be mounted on tub), Mercury, Saturn or Grenadier P, Sentinel 5
	4036	1 1/4 Square ●	20	27	7 3/4	23 3/8	30 3/8	22 5/16	29 5/16	7 11/16	
	4037	2 1/2 Rolled ●	20	27	7 3/4	23 3/8	30 3/8	22 5/16	29 5/16	6 7/16	
	4032	4 Rolled/Flush Pull ●	20	27	7 3/4	23 3/8	30 3/8	22 5/16	29 5/16	5 1/8	
	4038	4 1/2 Rolled	20	27	7 3/4	23 3/8	30 3/8	22 5/16	29 5/16	4 7/16	



New Lighter, FX2 Insulation



- F - Full glass with pull handle
- G - Full glass with pull handle above Saf-T-Lok (not shown)
- D - Horizontal duo panel with pull handle
- E - Horizontal duo panel with pull handle above Saf-T-Lok (not shown)
- V - Vertical duo panel with pull handle
- W - Vertical duo panel with pull handle above Saf-T-Lok (not shown)
- S21 - Solid with pull handle (shown)
- L22 - Solid with pull handle above Saf-T-Lok
- L24 - Solid with cylinder key lock and no handle
- B - Small view window with pull handle above Saf-T-Lok

ADA Cabinet Mounting Height: Standard Pull on G, E, W, L22 and B Door Styles with Saf-T-Lok are 3 5/8" Higher than Door Center, so Allow for that When Mounting Cabinet.
Standard Pull with No Lock or Flush Pull are Centered on Door.

See website for items that are available on our stock list.