

# SUBMITTAL: FIRE-FX2 FIRE-RATED EXTINGUISHER CABINET FOR ORBIT™ LOW PROFILE EXTINGUISHERS

This Series Features a Low Profile Tub to Accommodate the Orbit FE10V (Oval 10JABC) Fire Extinguisher to Fit Into a 2" x 4" Stud Wall.

**Door & Trim Construction:** Cold rolled steel with white powder-coated finish, anodized aluminum or stainless steel with # 4 finish, US3 polished brass or US10 satin finish bronze. Flush cabinet doors with a 5/8" door stop are attached by a continuous hinge and roller catch. Recessed models are equipped with zinc-plated handle and surface mount have flush pull handle. All models have 1-3/4" wide trim on frame and 1-1/4" trim on doors with glazing. Doors with glazing have clear acrylic glazing.

**Trim Style & Depth:** Recessed Flat 3/8" trim.

**Tub:** The tub is constructed of cold rolled steel with white powder-coat finish standard. Extinguisher rests on a 1" high shelf.

*Fire Rating: Fire-FX2™ cabinets are UL listed and labeled as an approved membrane penetration firestop system for up to 2 hours in accordance with UL 1479 (ASTM-E814) and CAN/ULC-S115, when properly installed in a wall assembly according to installation instructions.*



**STEP 1: SELECT MODEL NUMBER BY FINISH AND QUANTITY ON CHART** (refer to chart on page 2)

**STEP 2: SELECT DOOR STYLE WITH HANDLE**

Check one box below Examples on Page 2

- F10** Full Glazing in 1-1/4" wide Frame
- G10** Full Glazing with SAF-T-LOK™ in 1-1/4" Frame
- D10** Horizontal Duo Panel
- E10** Horizontal Duo Panel with SAF-T-LOK
- S21** Solid Door

- L22** Solid with SAF-T-LOK
- L24** Solid with Cylinder Lock - No Handle
- V10** Vertical Duo
- W10** Vertical Duo with SAF-T-LOK

**2115G10FX2 Steel Cabinet in Standard White Finish**

**STEP 3: OPTIONAL FEATURES AT ADDED COST (SELECT ANY)**


- Optional Tub Color: \_\_\_ Black \_\_\_ Red \_\_\_ Silver
- Futura "Fire" Pull \_\_\_ Mill Alum \_\_\_ Red \_\_\_ White
- Polished Chrome Handle (**PUCH**)
- Magnetic Catch for 2115 (**-MC**) Replaces Roller Catch
- Optional Color: \_\_\_\_\_ (See page 2)

- Black Vertical FE Letters **LDCVBF**
- Red Vertical FE Letters **LDCVRF**
- White Vertical FE Letters **LDCVWF**
- Black Horizontal FE Letters **LDCHBF**
- Red Horizontal FE Letters **LDCHRF**
- White Horizontal FE Letters **LDCHWF**

- Black Vertical FE Decal **LDVBF**
- Red Vertical FE Decal **LDVRF**
- White Vertical FE Decal **LDVWF**
- Black Horizontal FE Decal **LDHBF**
- Red Horizontal FE Decal **LDHRF**
- White Horizontal FE Decal **LDHWF**

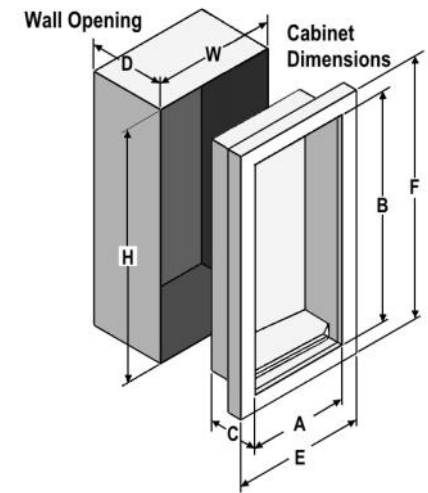
**For More Information on Other Options See Separate Submittals:** Handles & Levers Decals/Die Cuts & Wall Signs,

\*Oval is a trademark of the Oval Fire Products Corporation

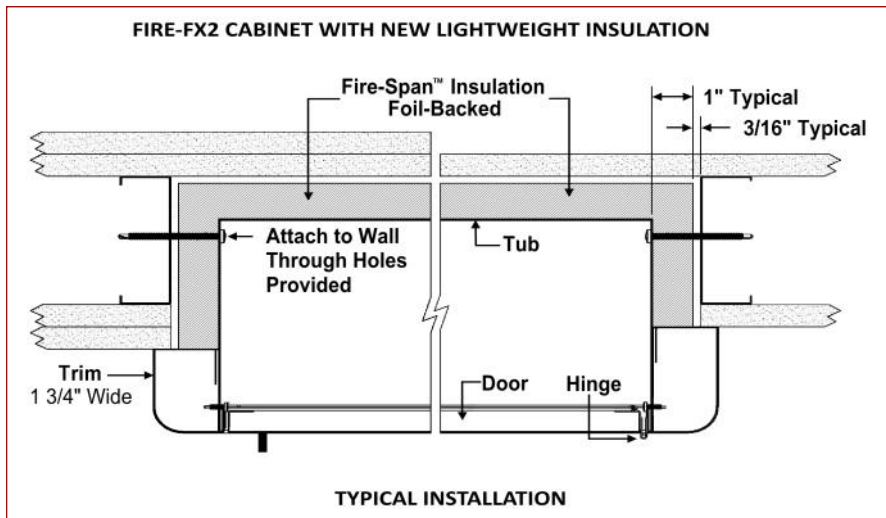
 <b>JL INDUSTRIES</b>  9702 Newton Av S. Bloomington, MN 55431   Many Locations Nationwide	800-554-6077 sales@activarcpg.com www.activarcpg.com	Distributor:	Project:	
			Contractor:	Approved By:
			Date:	Quantity:
			Scale: N/A	Pages: 1 of 2
			Architect:	
			Item #	

# SUBMITTAL: FIRE-FX2 FIRE EXTINGUISHER CABINETS FOR ORBIT™ LOW PROFILE EXTINGUISHERS

TRIM & DOOR SERIES #			Tub I.D. (inches)			Frame O.D.		Wall Opening			Fire Extinguishers	
QTY	Model	Material	Trim Style	A	B	C	E	F	W	H		D
	2115_FX2	Steel, White Painted	Flat Trim	12	27	3 1/8	15 3/8	30 3/8	14-5/16	29 5/16	4	Specialty Extinguishers Such as Orbit FE10V (Oval Model 10JABC)
	2125_FX2	Anodized Aluminum	Flat Trim	12	27	3 1/8	15 3/8	30 3/8	14-5/16	29 5/16	4	
	2135_FX2	Stainless Steel	Flat Trim	12	27	3 1/8	15 3/8	30 3/8	14-5/16	29 5/16	4	
	2145_FX2	US 10 Satin Bronze	Flat Trim	12	27	3 1/8	15 3/8	30 3/8	14-5/16	29 5/16	4	
	2155_FX2	US 3 Polished Brass	Flat Trim	12	27	3 1/8	15 3/8	30 3/8	14-5/16	29 5/16	4	



All Dimensions Shown in Inches



ADA Cabinet Mounting Height: Standard Pull on G, E, W, and L22 Door Styles with Saf-T-Lok are 3 5/8" Higher than Door Center, so Allow for that When Mounting Cabinet. Standard Pull with No Lock is Centered on Door.

Optional Colors at Additional Cost - Samples Available			
Gray	Red	Black/Flat Black	Silver
Sand	AMS Beige	SC Flat Beige	Bronze



- F - Full glass with pull handle
- G - Full glass with pull handle above Saf-T-Lok
- D - Horizontal duo panel with pull handle
- E - Horizontal duo panel with pull handle above Saf-T-Lok.
- V - Vertical duo panel with pull handle
- W - Vertical duo panel with pull handle above Saf-T-Lok.
- S21 - Solid with pull handle
- L22 - Solid with pull handle above Saf-T-Lok
- L24 - Solid with cylinder key lock and no handle (Not Shown)

It is the responsibility of the customer to communicate specifications and product performance requirements that are needed for their application. This document is intended to convey potential product configurations and offerings. It is not to be used to imply or represent a specification or rating, of finished products shipped. Detailed, specific submittals can be created upon request. It is the responsibility of the customer to specify product accordingly to comply with local laws, codes, and ordinances.