

# SUBMITTAL: FIRE EXTINGUISHER CABINET FOR ORBIT™ LOW PROFILE EXTINGUISHERS

This Series Features a Low Profile Tub to Accommodate the Orbit FE10V (Oval 10JABC) Fire Extinguisher\*. Recessed Models are Designed to Fit Into a 2" x 4" Stud Wall.

**Door & Trim Construction:** Cold rolled steel with white powder-coated finish, anodized aluminum, stainless steel with # 4 finish, US3 polished brass or US10 satin finish bronze. Flush cabinet doors with a 5/8" door stop are attached by a continuous hinge and roller catch. Recessed models are equipped with zinc-plated handle and surface mount have flush pull handle. All models have 1-3/4" wide trim on frame and 1-1/4" trim on doors with glazing. Doors with glazing have clear acrylic glazing.

**Trim Style & Depth:** *Recessed* Flat 3/8" Trim. *Surface Mount:* includes recessed pull - 4" overall depth for ADA compliance.

**Tub:** The tub is constructed of cold rolled steel with white powder-coat finish standard. Extinguisher rests on a 1" high shelf.

**Fire-Rated Option Available:** Yes - See separate Submittal Form.



2115G10 Steel Cabinet in Standard White Finish

**STEP 1: SELECT MODEL NUMBER BY FINISH AND QUANTITY ON CHART** (refer to chart on page 2)

**STEP 2: SELECT DOOR STYLE WITH HANDLE**

Check one box below Examples on Page 2

- F10** Full Glazing in 1-1/4" wide Frame
- G10** Full Glazing with SAF-T-LOK™ in 1-1/4" Frame
- D10** Horizontal Duo Panel
- E10** Horizontal Duo Panel with SAF-T-LOK
- S21** Solid Door

- L22** Solid with SAF-T-LOK
- L24** Solid with Cylinder Lock - No Handle
- V10** Vertical Duo
- W10** Vertical Duo with SAF-T-LOK

**STEP 3: OPTIONAL FEATURES AT ADDED COST (SELECT ANY)**

- Optional Tub Color: \_\_\_ Black \_\_\_ Red \_\_\_ Silver
- Futura "Fire" Pull \_\_\_ Mill Alum \_\_\_ Red \_\_\_ White
- Polished Chrome Handle (**PUCH**)
- Magnetic Catch for 2115 (-MC) Replaces Roller Catch
- Optional Color: \_\_\_\_\_ (See page 2)


- Black Vertical FE Letters **LDCVBF**
- Red Vertical FE Letters **LDCVRF**
- White Vertical FE Letters **LDCVWF**
- Black Horizontal FE Letters **LDCHBF**
- Red Horizontal FE Letters **LDCHRF**
- White Horizontal FE Letters **LDCHWF**

- Black Vertical FE Decal **LDVBF**
- Red Vertical FE Decal **LDVRF**
- White Vertical FE Decal **LDVWF**
- Black Horizontal FE Decal **LDHBF**
- Red Horizontal FE Decal **LDHRF**
- White Horizontal FE Decal **LDHWF**

**For More Information on Options See Other Submittals:** Handles & Levers Decals/Die Cuts & Wall Signs,

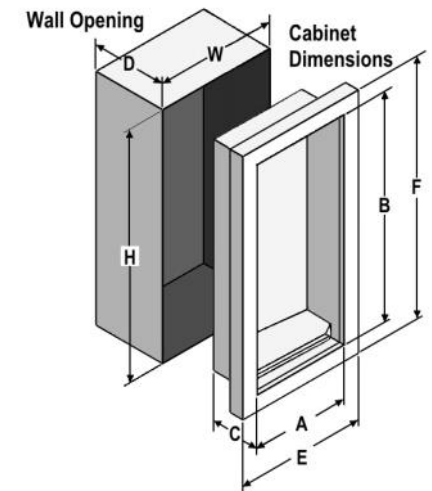
\*Oval is a trademark of the Oval Fire Products Corporation

It is the responsibility of the customer to communicate specifications and product performance requirements that are needed for their application. This document is intended to convey potential product configurations and offerings. It is not to be used to imply or represent a specification or rating, of finished products shipped. Detailed, specific submittals can be created upon request. It is the responsibility of the customer to specify product accordingly to comply with local laws, codes, and ordinances.

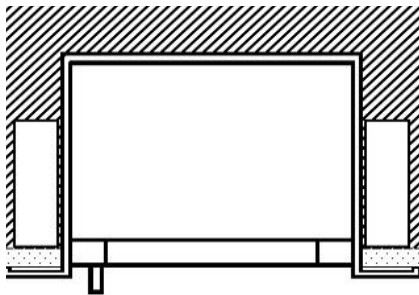
|   |  |               |              |
|---|--|---------------|--------------|
|  <b>JL INDUSTRIES</b><br><br>9702 Newton Av S. Bloomington, MN 55431   Many Locations Nationwide | 800-554-6077<br>sales@activarcpg.com<br>www.activarcpg.com | Distributor:  | Project:     |
|   |  | Contractor:   | Approved By: |
|   | Date:  | Quantity:     | Architect:   |
|   | Scale: N/A   | Pages: 1 of 2 | Item #       |

# SUBMITTAL: FIRE EXTINGUISHER CABINETS FOR ORBIT™ LOW PROFILE EXTINGUISHERS

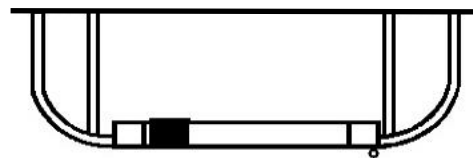
| TRIM & DOOR SERIES # |       |                                       | Tub I.D. (inches) |        |        | Frame O.D. |        | Wall Opening |    |    | Fire Extinguishers |   |
|----------------------|-------|---------------------------------------|-------------------|--------|--------|------------|--------|--------------|----|----|--------------------|---|
| QTY                  | Model | Material                              | Trim Style        | A      | B      | C          | E      | F            | W  | H  |                    | D   |
|                      | 2115  | Steel, White Painted                  | Flat Trim         | 12     | 27     | 3 1/8      | 15 3/8 | 30 3/8       | 13 | 28 | 3 1/4              | Specialty Extinguishers<br>Such as Orbit FE10V<br>(Oval Model 10JABC) |
|                      | 2125  | Anodized Aluminum                     | Flat Trim         | 12     | 27     | 3 1/8      | 15 3/8 | 30 3/8       | 13 | 28 | 3 1/4              |   |
|                      | 2135  | Stainless Steel                       | Flat Trim         | 12     | 27     | 3 1/8      | 15 3/8 | 30 3/8       | 13 | 28 | 3 1/4              |   |
|                      | 2119  | Steel, White Painted<br>Recessed Pull | Surface<br>Mount  | 15 1/4 | 30 1/4 | 3 11/16    | 15 3/8 | 30 3/8       | -  | -  | -                  |   |
|                      | 2139  | Stainless Steel<br>Recessed Pull      | Surface<br>Mount  | 15 1/4 | 30 1/4 | 3 11/16    | 15 3/8 | 30 3/8       | -  | -  | -                  |   |
|                      | 2145  | US 10 Satin Bronze                    | Flat Trim         | 12     | 27     | 3 1/8      | 15 3/8 | 30 3/8       | 13 | 28 | 3 1/4              |   |
|                      | 2155  | US 3 Polished Brass                   | Flat Trim         | 12     | 27     | 3 1/8      | 15 3/8 | 30 3/8       | 13 | 28 | 3 1/4              |   |



All Dimensions Shown in Inches



Recessed w/ Flat Trim



Surface Mount w/ Recessed Pull

**ADA Cabinet Mounting Height:** Standard Pull on G, E, W, and L22 Door Styles with Saf-T-Lok are 3 5/8" Higher than Door Center, so Allow for that When Mounting Cabinet.  
Standard Pull with No Lock is Centered on Door.

| Optional Colors at Additional Cost - Samples Available |           |                  |        |
|--|-----------|------------------|--------|
| Gray   | Red       | Black/Flat Black | Silver |
| Sand   | AMS Beige | SC Flat Beige    | Bronze |



- F - Full glass with pull handle
- G - Full glass with pull handle above Saf-T-Lok
- D - Horizontal duo panel with pull handle
- E - Horizontal duo panel with pull handle above Saf-T-Lok.
- V - Vertical duo panel with pull handle
- W - Vertical duo panel with pull handle above Saf-T-Lok.
- S21 - Solid with pull handle
- L22 - Solid with pull handle above Saf-T-Lok
- L24 - Solid with cylinder key lock and no handle (Not Shown)