

SUBMITTAL: PANORAMA FIRE-FX2™ FIRE-RATED STEEL TRIMLESS FIRE EXTINGUISHER

The Panorama Cabinet Features a Frameless Clear Polycarbonate or Opaque Textured Acrylic with Many Lettering Options. The FX2 Fire-Rated Trimless Series is Designed to be Installed Between the Layers of Drywall or Under Plaster for a Flush, Finished Surface.

Door Construction: Flush acrylic cabinet doors are attached by a continuous hinge and equipped with zinc-plated handle and roller catch.

Flange for Drywall, Stucco or Plaster: 1-1/2" wide recessed flange is to be concealed by drywall, stucco or plaster. 5/8" Drywall - first layer of drywall is to be installed before cabinet, second layer over flange after cabinet is installed. 3/4" depth Plaster or Stucco - fire-rated substrate is to be installed before cabinet, and plaster applied after cabinet is installed.

Tub: The tub is constructed of cold rolled steel with white powder-coat finish standard. Tub forms a flange to cover cut edges of wallboard material. Fire-resistant material is attached to the exterior of the tub.

Fire Rating: Fire-FX2™ cabinets are UL listed and labeled as an approved membrane penetration firestop system for up to 2 hours in accordance with UL 1479 (ASTM-E814) and CAN/ULC-S115, when properly installed in a wall assembly according to installation instructions.

STEP 1: SELECT MODEL NUMBER AND QUANTITY ON CHART (refer to chart on pg 2)

STEP 2: SELECT DOOR STYLE

(Check one box below)

- C70 Clear 3/16" Unlettered Smooth Polycarbonate
- C71 Clear 3/16" Unlettered Smooth Polycarbonate & Saf-T-Lok™
- P Identity: 3/16" Textured Obscure Acrylic with Lettering

STEP 3 - SELECT LETTERING STYLE FOR P DOORS View lettering styles at right

40 Vert, Black Bkgd, White Lettering	45 Horiz, Black Bkgd, White Lettering	50 Ascend, Black Bkgd, White Lettering
41 Vert, Red Bkgd, White Lettering	46 Horiz, Red Bkgd, White Lettering	51 Ascend, Red Bkgd, White Lettering
42 Vert, White Bkgd, Black Lettering	47 Horiz, White Bkgd, Black Lettering	52 Ascend, White Bkgd, Black Lettering
43 Vert, White Bkgd, Red Lettering	48 Horiz, White Bkgd, Red Lettering	53 Ascend, White Bkgd, Red Lettering

STEP 4: OPTIONAL FEATURES AT ADDED COST (SELECT ANY)


- Futura "Fire" Pull ___ Mill Alum ___ Red ___ White
- Flush Pull Handle for "P" Style Doors Only (PRH)
- Polished Chrome Handle (PUCH)
- Color: Tub and hinge will be painted in a single color. See website for color choices. Enter color code here: ___
- (CA) Commander Alarm
- (BA) Brigadier Alarm

See Website for More Information on Options

It is the responsibility of the customer to communicate specifications and product performance requirements that are needed for their application. This document is intended to convey potential product configurations and offerings. It is not to be used to imply or represent a specification or rating, of finished products shipped. Detailed, specific submittals can be created upon request. It is the responsibility of the customer to specify product accordingly to comply with local laws, codes, and ordinances.

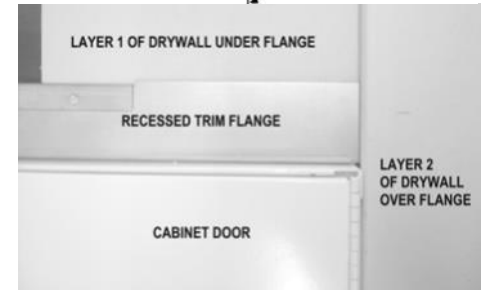
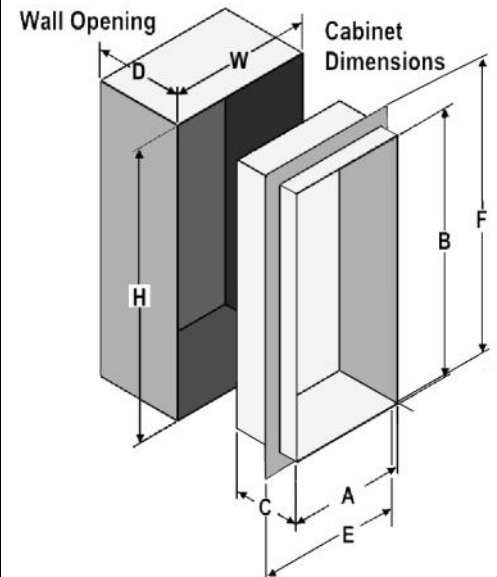
Panorama "P" Style Door Selections



 JL INDUSTRIES 9702 Newton Av S. Bloomington, MN 55431	800-554-6077 sales@activarcpg.com www.activarcpg.com	Distributor:	Project:
		Contractor:	Approved By:
	Date:	Quantity:	Architect:
	Scale: N/A	Pages: 1 of 1	Item #

SUBMITTAL: PANORAMA FIRE-FX2™ FIRE-RATED STEEL TRIMLESS FIRE EXTINGUISHER

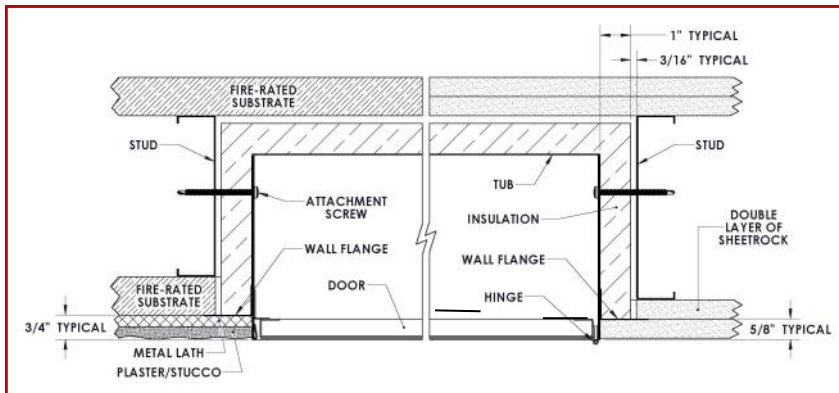
TRIM & DOOR SERIES #			Tub I.D.			Frame O.D.		FX Wall Opening			Fits Fire Extinguishers
QTY	Model	Trim Style	A	B	C	E	F	W	H	D	
TRIMLESS CABINET WITH RECESSED FLANGE FOR INSTALLATION OF 5/8" DRYWALL OVER AND UNDER FLANGE Example of Part # 8114WC70FX2											
	8114W__FX2	Trimless Drywall	9	18	5 1/2	12 1/8	21 1/8	11 5/16	20 5/16	6 3/16	Cosmic & Galaxy 2 1/2-5-1/2 Mercury 2 1/2-5
	1014W__FX2	Trimless Drywall	10 1/2	24	6	13 5/8	27 1/8	12 13/16	26 5/16	6 11/16	Cosmic & Galaxy 2 1/2-10 Mercury 2 1/2-5, Sentinel 5
	2014W__FX2	Trimless Drywall	12	27	7 3/4	15 1/8	30 1/8	14 5/16	29 5/16	8 7/16	Any Cosmic, Galaxy, Mercury, Saturn or Grenadier P (20 lb must be mounted on back of tub), Sentinel 5 & 10, Nebula 270
TRIMLESS CABINET WITH RECESSED FLANGE FOR INSTALLATION OF 3/4" PLASTER OVER FLANGE Example of Part # 8114PC70FX2											
	8114P__FX2	Trimless Plaster	9	18	5 1/2	12 1/8	21 1/8	11 5/16	20 5/16	6 1/16	Cosmic & Galaxy 2 1/2-5-1/2 Mercury 2 1/2-5
	1014P__FX2	Trimless Plaster	10 1/2	24	6	13 5/8	27 1/8	12 13/16	26 5/16	6 9/16	Cosmic & Galaxy 2 1/2-10 Mercury 2 1/2-5, Sentinel 5
	2014P__FX2	Trimless Plaster	12	27	7 3/4	15 1/8	30 1/8	14 5/16	29 5/16	8 5/16	Any Cosmic, Galaxy, Mercury, Saturn or Grenadier P (20 lb must be mounted on back of tub), Sentinel 5 & 10, Nebula 270



All Cabinets Meet 4" Maximum ADA Projection Requirement

3/4" PLASTER (P)

5/8" DRYWALL (W)



ADA Cabinet Mounting Height:

Standard pull on C71 door style with Saf-T-Lok is 3 5/8" higher than door center, so allow for that when mounting cabinet. C70 and P doors with no lock, or flush pull are centered on door.