

# SUBMITTAL: PANORAMA™ STEEL TRIMLESS FIRE EXTINGUISHER CABINETS

The Panorama Cabinet Features a Frameless Door of Clear Polycarbonate or Opaque Textured Acrylic with Many Lettering Options

This New Version with Concealed Trim is Designed to be Installed Over Drywall, or Under Plaster for a Flush Finish.

**Door & Trim Construction:** Flush acrylic cabinet doors are attached by a continuous hinge and equipped with zinc-plated handle and roller catch.

**Concealed Flange Style:** Drywall bead for installation over drywall or plaster flange with stop with 3/4" plaster allowance.

**Tub:** The tub is constructed of cold rolled steel with white powder-coat finish standard. Tub includes a 1-1/4" wide flange to cover the wall opening, and is designed to be concealed by drywall, plaster or stucco.

**Fire-Rated Option Available:** Yes - See separate Submittal Form. (Note FX version is designed to be installed between layers of drywall)

**STEP 1: SELECT MODEL NUMBER, MATERIAL AND QUANTITY ON CHART** (refer to chart on pg 2)

- A. Determine Trim Style according to wall depth.
- B. Determine Tub I.D. according to size most suited for extinguisher and wall opening.

**STEP 2: SELECT DOOR STYLE**

(Check one box below)

- C70** Clear 3/16" Unlettered Smooth Polycarbonate
- C71** Clear 3/16" Unlettered Smooth Polycarbonate & Saf-T-Lok™
- P** Identity: 3/16" Textured Obscure Acrylic with Lettering

**STEP 3 - SELECT LETTERING STYLE FOR P DOORS**

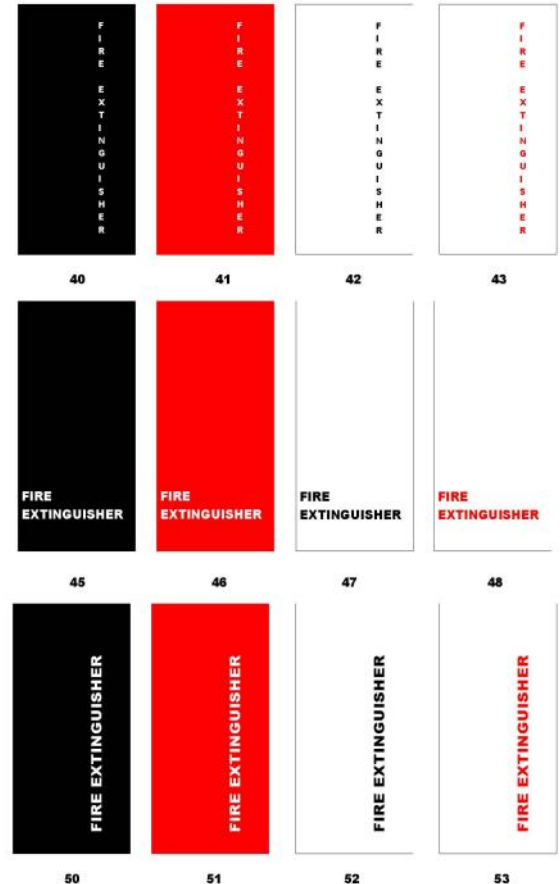
<b>40</b> Vert, Black Bkgd, White Lettering	<b>45</b> Horiz, Black Bkgd, White Lettering	<b>50</b> Ascend, Black Bkgd, White Lettering
<b>41</b> Vert, Red Bkgd, White Lettering	<b>46</b> Horiz, Red Bkgd, White Lettering	<b>51</b> Ascend, Red Bkgd, White Lettering
<b>42</b> Vert, White Bkgd, Black Lettering	<b>47</b> Horiz, White Bkgd, Black Lettering	<b>52</b> Ascend, White Bkgd, Black Lettering
<b>43</b> Vert, White Bkgd, Red Lettering	<b>48</b> Horiz, White Bkgd, Red Lettering	<b>53</b> Ascend, White Bkgd, Red Lettering

**STEP 4: OPTIONAL FEATURES AT ADDED COST (SELECT ANY)**


- Futura "Fire" Handle \_\_\_ Mill Aluminum \_\_\_ Red \_\_\_ White
- Flush Pull Handle For P Style Door Only
- Polished Chrome Pull (PUCH)
- (CA) Commander Alarm
- (BA) Brigadier Alarm
- Optional Colors: Tub and hinge will be painted in a single color - select from below.  
 \_\_\_ Sand \_\_\_ AMS Beige \_\_\_ SC Flat Beige \_\_\_ Red  
 \_\_\_ Gray \_\_\_ Bronze \_\_\_ Silver \_\_\_ Black \_\_\_ Flat Blk

See Website for More Information on Options

**Panorama "P" Style Door Selections**

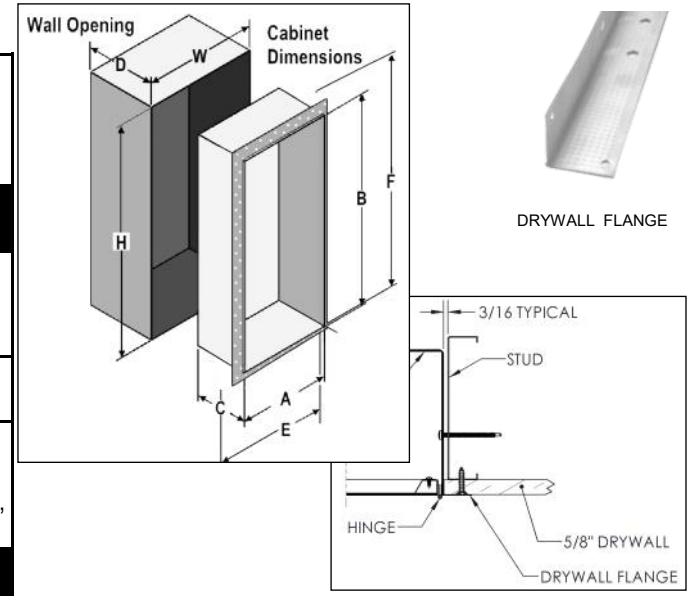


It is the responsibility of the customer to communicate specifications and product performance requirements that are needed for their application. This document is intended to convey potential product configurations and offerings. It is not to be used to imply or represent a specification or rating, of finished products shipped. Detailed, specific submittals can be created upon request. It is the responsibility of the customer to specify product accordingly to comply with local laws, codes, and ordinances.

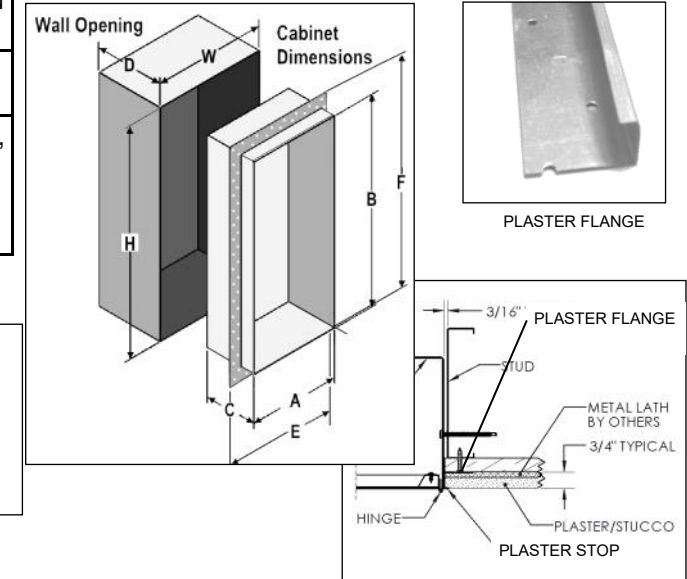
 <b>JL INDUSTRIES</b> 9702 Newton Av S. Bloomington, MN 55431 800-554-6077 sales@activarcpg.com www.activarcpg.com	Distributor:	Project:	
	Contractor:	Approved By:	
	Date:	Quantity:	Architect:
	Scale: N/A	Pages: 1 of 2	Item #

# SUBMITTAL: PANORAMA STEEL TRIMLESS FIRE EXTINGUISHER CABINETS

TRIM & DOOR SERIES #			Tub I.D.			Frame O.D.		Wall Opening			Fits Fire Extinguishers
QTY	Model	Trim Style	A Width	B Height	C Depth	E Width	F Height	W Width	H Height	D Depth	
<b>TRIMLESS CABINET WITH WALLBOARD BEAD FLANGE FOR INSTALLATION OVER DRYWALL</b> Example of Part # 8114WC70											
	8114W	Trimless Drywall	9	18	5 1/2	11 1/2	20 1/2	10	19	5 5/8	Cosmic & Galaxy 2 1/2-5-1/2 Mercury 2 1/2-5
	1014W	Trimless Drywall	10 1/2	24	6	13	26 1/2	11 1/2	25	6 1/8	Cosmic & Galaxy 2 1/2-10 Mercury 2 1/2-5, Sentinel 5
	2014W	Trimless Drywall	12	27	7 3/4	14 1/2	29 1/2	13	28	7 7/8	Any Cosmic, Galaxy, Mercury, Saturn or Grenadier P (20 lb must be mounted on back of tub), Sentinel 5 & 10, Nebula 270
<b>TRIMLESS CABINET WITH RECESSED FLANGE FOR INSTALLATION OF 3/4" PLASTER OVER FLANGE</b> Example of Part # 8114PP53											
	8114P	Trimless Plaster	9	18	5 1/2	11 1/2	20 1/2	10	19	4 7/8	Cosmic & Galaxy 2 1/2-6(6 lb must be mounted on tub) Mercury 2 1/2-5
	1014P	Trimless Plaster	10 1/2	24	6	13	26 1/2	11 1/2	25	5 3/8	Cosmic & Galaxy 2 1/2-10 Mercury 2 1/2-5, Sentinel 5
	2014P	Trimless Plaster	12	27	7 3/4	14 1/2	29 1/2	13	28	7 1/8	Any Cosmic, Galaxy, Mercury, Saturn or Grenadier P (20 lb must be mounted on back of tub), Sentinel 5 & 10



## TRIMLESS FLANGE FOR 5/8" DRYWALL (W)



## TRIMLESS RECESSED FLANGE FOR 3/4" PLASTER (P)

**ADA Cabinet Mounting Height:** Standard Pull on "C71" Door Styles with Saf-T-Lok are 3 5/8" Higher than Door Center, so allow for that When Mounting Cabinet.

C70 and P doors with no lock, or flush pull are centered on door.

All Cabinets Meet 4" Maximum ADA Projection Requirement