

SUBMITTAL: SCHOOL FIRE EXTINGUISHER CABINETS

JL School Cabinets for fire extinguishers are constructed of heavy duty materials for rough duty applications, and offer a range of durable options.

Door & Trim Construction: 12 gauge steel with white powder-coat paint finish or 14 gauge #4 stainless steel door. Flush cabinet doors with 1-1/2" face trim on doors with glazing are mounted in a 5/8" door stop, attached by a heavy-duty continuous hinge and equipped with a zinc-plated handle and roller catch. Saf-T-Lok™ theft-deterrent feature is available on several door styles. All recessed models shown in blue meet the 4" ADA projection requirement.

Trim Style & Depth: **Recessed** - 1" wide flat trim. **Semi-Recessed** - 1" wide by 2-1/2" deep square edge. **Surface-Mount**—square edge with 1" wide face trim on frame.

Tub: The tub is constructed of 16 gauge cold rolled steel with white powder-coat finish, or 16 gauge stainless steel. Heavy duty masonry anchors are welded to frame on all recessed cabinets.

Fire-Rated: This cabinet is available as fire-rated. See separate submittal.



CS2015F17

STEP 1: SELECT MODEL NUMBER AND QUANTITY ON CHART BELOW

STEP 2: SELECT DOOR STYLE

- F** Full Glazing
- G** Full Glazing with SAF-T-LOK
- D** Horizontal Duo Panel
- E** Horizontal Duo Panel with SAF-T-LOK
- S21** Solid Door

Check one box below

- L22** Solid with SAF-T-LOK
- V** Vertical Duo
- W** Vertical Duo with SAF-T-LOK

STEP 3: SELECT DOOR GLAZING Check box below

- 10** Clear Acrylic
- 17** Clear Tempered Glass
- 18** Laminated Safety Glass

		TRIM & DOOR MATERIAL & SERIES			TUB I.D. W x H x D In Inches			FRAME O.D. W x H In Inches		WALL OPENING			SHIP WT	RECOMMENDED EXTINGUISHER
QTY	STEEL	QTY	STAINLESS	TRIM STYLE	A	B	C	E	F	W	H	D	LBS	Link to Extinguishers
	CS2015		CS2035	Flat Trim	12	27	7-3/4	14	29	13	28	8	33	Any Cosmic, Galaxy, Mercury, Saturn & Grenadier P,
	CS2017		CS2037	2-1/2" Square Edge	12	27	7-3/4	14	29	13	28	5-1/2	34	Sentinel 5-10
	CS2013		CS2033	Surface-Mounted	14-3/8	29-3/8	7-7/8	14-1/2	29-1/2	—	—	—	34	Sentinel 5-10

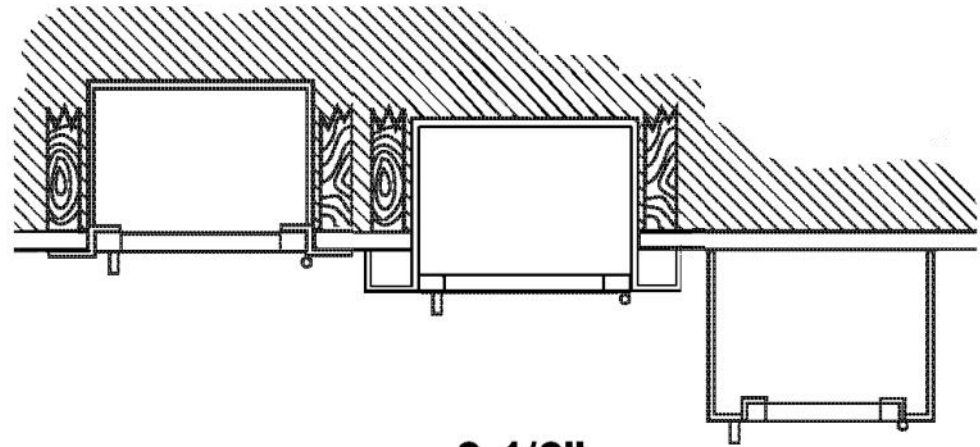
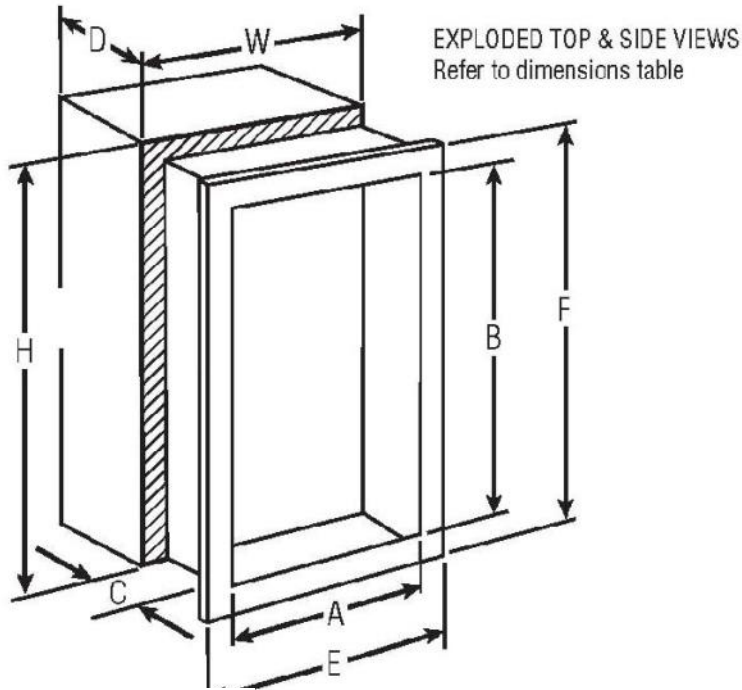
STEP 4: OPTIONAL FEATURES AT ADDED COST (SELECT ANY)

- Optional Tub Color: ___ Black ___ Red
- Futura "Fire" Pull ___ Mill Alum ___ Red ___ White
- Flush Pull Handle (PRH)
- Red Powder Coat Finish
- Black Powder Coat Finish
- Black Vertical FE Letters **LDCVBFE**
- Red Vertical FE Letters **LDCVRFE**
- White Vertical FE Letters **LDCVWFE**
- Black Horizontal FE Letters **LDCHBFE**
- Red Horizontal FE Letters **LDCHRFE**
- White Horizontal FE Letters **LDCHWFE**
- Black Vertical Decal **LDVBFE**
- Red Vertical Decal **LDVRFE**
- White Vertical Decal **LDVWFE**
- Black Horizontal Decal **LDHBFE**
- Red Horizontal Decal **LDHRFE**
- White Horizontal Decal **LDHWFE**

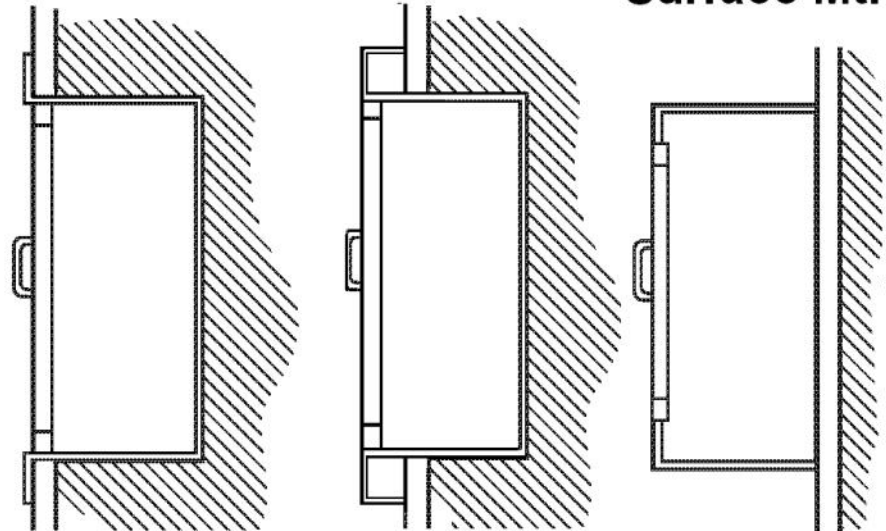
View details for [Decals & Die Cuts](#) & Wall Signs

<p>7902 Newton Av S. Bloomington, MN 55431</p>	<p>800-554-6077</p> <p>sales@activarcpg.com</p> <p>www.activarcpg.com</p>	Distributor:	Project:
		Contractor:	Approved By:
	Date:	Quantity:	Architect:
	Scale: N/A	Pages: 1 of 2	Item #

SUBMITTAL: SCHOOL FIRE EXTINGUISHER CABINETS



Flat Trim **2-1/2" Square Trim** **Square Edge Surface Mt.**



CS2017F17



CS2013F17

It is the responsibility of the customer to communicate specifications and product performance requirements that are needed for their application. This document is intended to convey potential product configurations and offerings. It is not to be used to imply or represent a specification or rating, of finished products shipped. Detailed, specific submittals can be created upon request. It is the responsibility of the customer to specify product accordingly to comply with local laws, codes, and ordinances.