

# SUBMITTAL: 3600 SERIES FIRE-FX2™ FIRE-RATED BLANKET/EXTINGUISHER CABINET - ALUMINUM PG 1 OF 2

**Door and Trim Construction:** No 180 clear anodized aluminum. Flush cabinet doors with a 5/8" door stop are attached by a continuous hinge and equipped with zinc-plated handle and roller catch. Full glazed front with pull handle. Theft-deterrent SAF-T-LOK™ also available.

**Trim Style and Depth:** Recessed- 3/8" Flat Trim Semi-Recessed -1-1/2" Square Trim, 2-1/2", 4" or 4-1/2" Rolled Edge. Rolled edge models are constructed of mechanically-joined extrusions. 1-3/4" face trim on frame and 1-1/4" trim on doors with glazing.

**Tub:** The tub is constructed of cold rolled steel with white powder-coat finish standard. Fire-resistant material is attached to the exterior of the tub.

**Shelf:** Shelf is located 9" from the top of the cabinet, providing storage for the blanket above the extinguisher.

**Blanket:** Includes a nominal 62" x 80" x 2.75 lb., processed wool/synthetic fire blanket which meets the Flammable Fabrics Act: Flammability of Clothing Textiles, Title 16, CFR1610.

*Fire Rating: Fire-FX2™ cabinets are UL listed and labeled as an approved membrane penetration firestop system for up to 2 hours in accordance with UL 1479 (ASTM-E814) and CAN/ULC-S115, when properly installed in a wall assembly according to installation instructions.*



**Model 367F10FX2**

### STEP 1: SELECT DOOR STYLE WITH HANDLE

- F** Full Glazing in 1-1/4" wide Frame
- G** Full Glazing with SAF-T-LOK in 1-1/4" Frame
- D** Horizontal Duo Panel
- E** Horizontal Dual Panel with SAF-T-LOK
- S21** Solid Door

Check one box below Examples on Page 2

- L22** Solid with SAF-T-LOK
- L24** Solid with Cylinder Lock - No Handle
- V** Vertical Duo
- W** Vertical Duo with SAF-T-LOK
- B** Solid with 2" x 4" View Window & SAF-T-LOK

### STEP 2: SELECT DOOR GLAZING

- 10** Clear Acrylic
- 17** Clear Tempered Glass

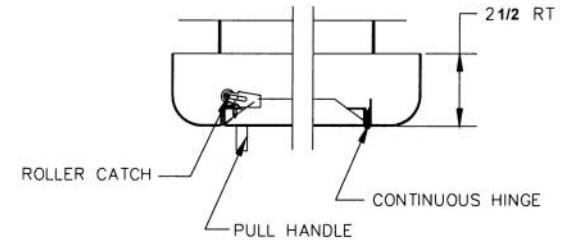
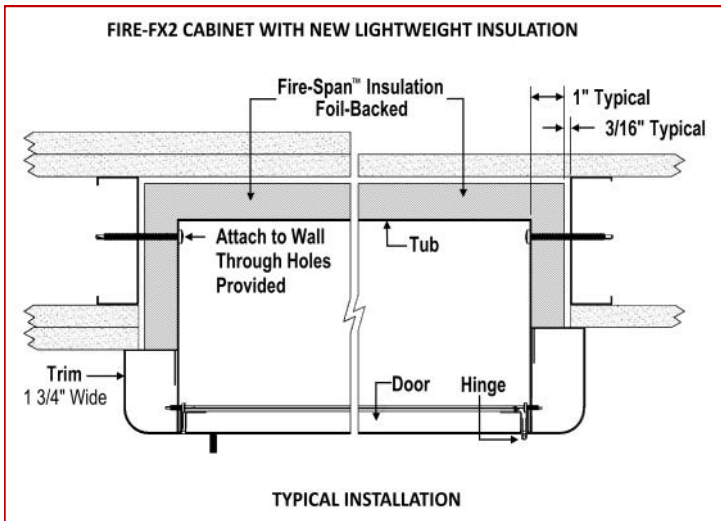
### STEP 3: OPTIONAL FEATURES AT ADDITIONAL COST:

- |   |   |   |
|---|---|---|
| <input type="checkbox"/> Dark Bronze Anodized Finish: (pull painted to match) | <input type="checkbox"/> Futura "Fire" Handle __ Mill __ White __ Red           | <input type="checkbox"/> White Vertical FE Letters <b>LDCVWFE</b>   |
| <input type="checkbox"/> Color Tub - Red                                      | <input type="checkbox"/> (PRH) Flush Pull Handle                                | <input type="checkbox"/> Black Horizontal FE Letters <b>LDCHBFE</b> |
| <input type="checkbox"/> Color Tub - Black                                    | <input type="checkbox"/> "Fire Blanket" Letters - Red Horizontal <b>LDCHRFB</b> | <input type="checkbox"/> Red Horizontal FE Letters <b>LDCHRFE</b>   |
| <input type="checkbox"/> Brigadier Alarm                                      | <input type="checkbox"/> Black Vertical FE Letters <b>LDCVBFE</b>               | <input type="checkbox"/> White Horizontal FE Letters <b>LDCHWFE</b> |
| <input type="checkbox"/> Commander Alarm                                      | <input type="checkbox"/> Red Vertical FE Letters <b>LDCVRFE</b>                 |   |

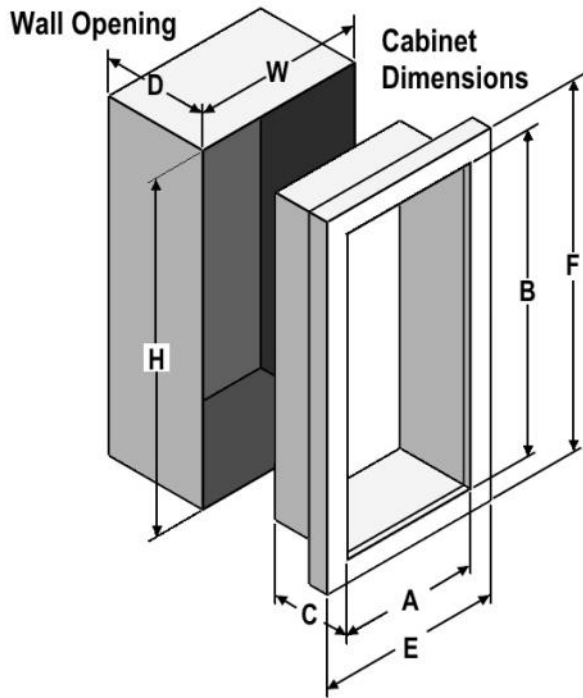
QTY	TRIM & DOOR & SERIES #		TUB I.D.			FRAME O.D.		WALL OPENING			Fits Fire Extinguishers
	Model	Trim Style	A	B	C	E	F	W	H	D	
	3625	Flat Trim	12"	36"	8"	15-3/8"	39-3/8"	14 5/16"	38 5/16"	8 15/16"	Cosmic & Galaxy 2.5-10, Any Mercury
	3626	1-1/2" Square Edge	12"	36"	8"	15-3/8"	39-3/8"	14 5/16"	38 5/16"	7 15/16"	Sentinel 5-10, Saturn 15-25, Grenadier P.
	3627	2-1/2" Rolled Edge	12"	36"	8"	15-3/8"	39-3/8"	14 5/16"	38 5/16"	7 5/16"	
	3622	4" Rolled Edge—Recessed Pull	12"	36"	8"	15-3/8"	39-3/8"	14 5/16"	38 5/16"	6"	Nebula 270
	3628	4-1/2" Rolled Edge	12"	36"	8"	15-3/8"	39-3/8"	14 5/16"	38 5/16"	5 5/16"	

Cabinets in Blue Meet 4" Maximum ADA Projection Requirement

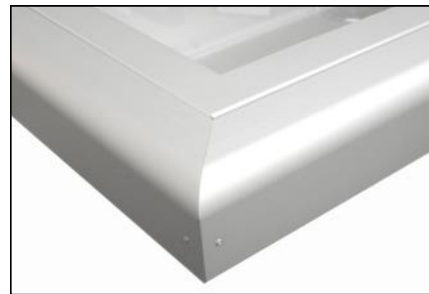
<p><b>JL INDUSTRIES</b></p> <p>9702 Newton Av S. Bloomington, MN 55431   Many Locations Nationwide</p>	800-554-6077 sales@activarcpg.com www.activarcpg.com	Distributor:	Project:	
			Contractor:	Approved By:
			Date:	Quantity:
			Scale: N/A	Pages: 1 of 2
			Item #	



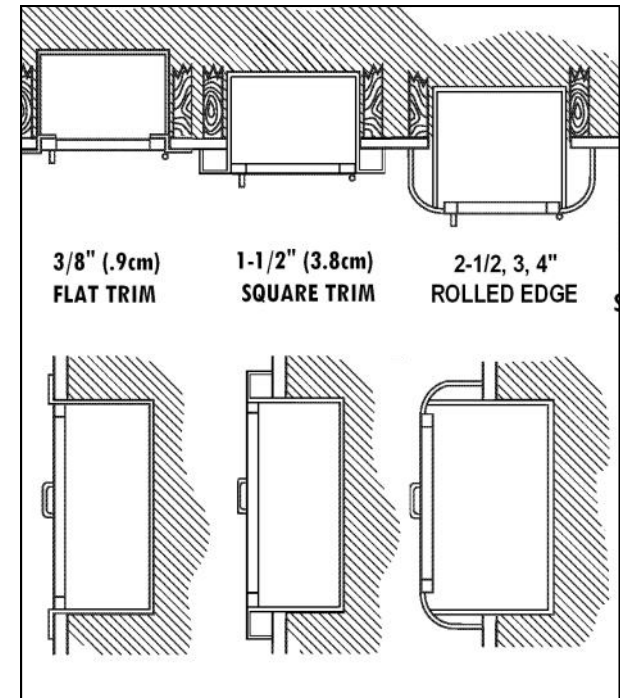
Model 3627F10FX2 Shown Above  
4" or 4-1/2" Rolled Trim



New Lighter, FX2 Insulation



Extruded Rolled Edge  
3627, 3622, 3728



**ADA Cabinet Mounting Height:** Standard Pull on G, E, W, L22 and B Door Styles with Saf-T-Lok are 3 5/8" Higher than Door Center, so Allow for that When Mounting Cabinet.  
Standard Pull with No Lock or Recessed Pull are Centered on Door.