

SUBMITTAL: 3600 SERIES BLANKET & EXTINGUISHER CABINET - ALUMINUM

Door and Trim Construction: Clear anodized aluminum. Flush cabinet doors with a 5/8" door stop are attached by a continuous hinge and equipped with zinc-plated handle and roller catch. Full glazed front with pull handle. Theft-deterrent SAF-T-LOK™ also available.

Trim Style and Depth: *Recessed* - 3/8" Flat Trim, *Semi-Recessed* - 1-1/2" Square Trim, 2-1/2", 4" or 4-1/2" Rolled Edge or *Surface-Mounted*- Square Edge. Rolled edge models are constructed of mechanically-joined extrusions 1-3/4" face trim on frame and 1-1/4" trim on door. ADA-compliant models in blue.

Tub: Constructed of cold rolled steel with white powder-coat finish standard. Surface-mounted models have clear anodized aluminum tubs.

Glazing: .09 Acrylic Glazing

Shelf: Shelf is located 9" from the top of the cabinet, providing storage for the blanket above the extinguisher.

Blanket: Includes a nominal 62" x 80" x 2.75 lb., processed wool/synthetic fire blanket which meets the Flammable Fabrics Act: Flammability of Clothing Textiles, Title 16, CFR1610

Fire Rated Option : See Separate Submittal for FX Model

STEP 1: SELECT DOOR STYLE WITH HANDLE

- F** Full Glazing in 1-1/4" wide Frame
- G** Full Glazing with SAF-T-LOK™ in 1-1/4" Frame
- D** Horizontal Duo Panel
- E** Horizontal Dual Panel with SAF-T-LOK™
- S21** Solid Door

Check one box below Examples on Page 2

- L22** Solid with SAF-T-LOK™
- L24** Sold with Cylinder Lock - No Handle
- V** Vertical Duo
- W** Vertical Duo with SAF-T-LOK™
- B** Solid with 2" x 4" View Window & SAF-T-LOK™

STEP 2: SELECT DOOR GLAZING

- 10** Clear Acrylic
- 17** Clear Tempered Glass

STEP 3: OPTIONAL FEATURES AT ADDITIONAL COST:

- Color Anodized Trim and Door Dark Bronze (pull to match)
- Color Tub - Red
- Color Tub - Black
- Commander Alarm
- Brigadier Alarm [View Alarms online](#)
- Strobe Alarm (3622, 3628 & 3623 models)


- Futura "Fire" Handle
- Flush Recessed Pull Handle
- Flush Pull Handle
- "Fire Blanket" Letters - Red Horizontal **LDCHRFB**
- Black Vertical FE Letters **LDCVBF**
- Red Vertical FE Letters **LDCVRF**

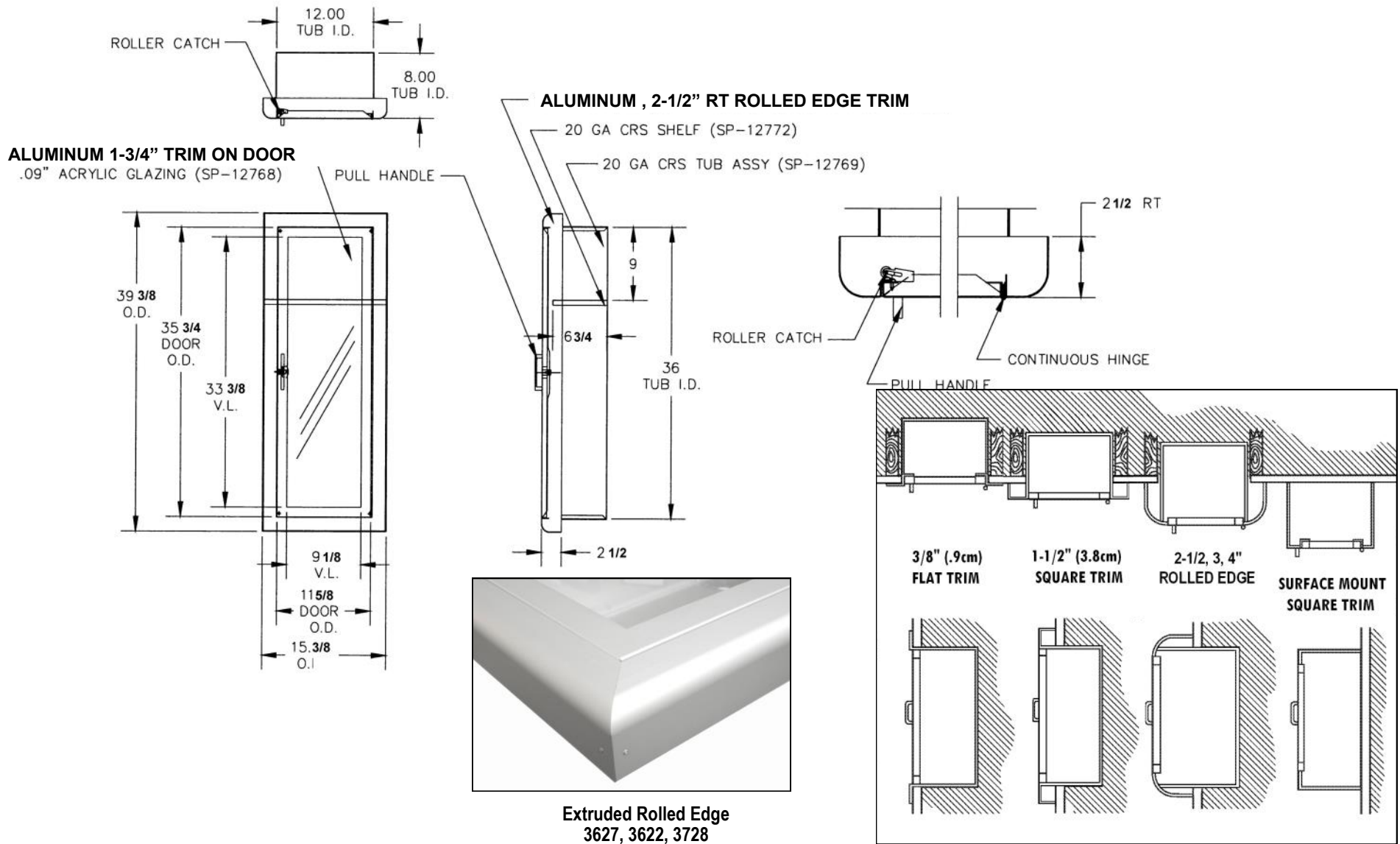
- White Vertical FE Letters **LDCVWFE**
 - Black Horizontal FE Letters **LDCHBF**
 - Red Horizontal FE Letters **LDCHRF**
 - White Horizontal FE Letters **LDCHWFE**
- [View Anodized Finishes Online](#)



3627F10

QTY	TRIM & DOOR & SERIES #		TUB I.D.			FRAME O.D.		WALL OPENING			ACCOMMODATES FOLLOWING EXTINGUISHERS
	Model	Trim Style	A	B	C	E	F	W	H	D	
	3625	Flat Trim	12"	36"	8"	15 3/8"	39 3/8"	13"	37"	7 7/8"	Cosmic & Galaxy 2.5-10, Any Mercury Sentinel 5-10, Saturn 15-25, Grenadier P. Nebula 270
	3626	1-1/2" Square Edge	12"	36"	8"	15 3/8"	39 3/8"	13"	37"	6 7/8"	
	3627	2-1/2" Rolled Edge	12"	36"	8"	15 3/8"	39 3/8"	13"	37"	6 1/4"	
	3622	4" Rolled Edge- Recessed Pull	12"	36"	8"	15 3/8"	39 3/8"	13"	37"	5"	
	3628	4-1/2" Rolled Edge	12"	36"	8"	15 3/8"	39 3/8"	13"	37"	4 1/4"	
	3623	Surface-Mounted Square	15 3/16"	39 3/16"	8 1/2"	15 3/8"	39 3/8"	---	---	---	

 JL INDUSTRIES 9702 Newton Av S. Bloomington, MN 55431 Many Locations Nationwide	800-554-6077 sales@activarcpg.com www.activarcpg.com	Distributor:	Project:
		Contractor:	Approved By:
	Date:	Quantity:	Architect:
	Scale: N/A	Pages: 1 of 2	Item #



It is the responsibility of the customer to communicate specifications and product performance requirements that are needed for their application. This document is intended to convey potential product configurations and offerings. It is not to be used to imply or represent a specification or rating, of finished products shipped. Detailed, specific submittals can be created upon request. It is the responsibility of the customer to specify product accordingly to comply with local laws, codes, and ordinances.