

SUBMITTAL: 3600 FIRE-FX2™ FIRE-RATED BLANKET & EXTINGUISHER CABINET - STEEL PG 1 OF 2

Door and Trim Construction: Cold rolled steel with white powder-coat finish. Flush cabinet doors with a 5/8" door stop are attached by a continuous hinge and equipped with zinc-plated handle and roller catch. Theft-deterrent SAF-T-LOK™ also available.

Trim Style and Depth: Flat Trim, 1-1/2" Square Edge or 2-1/2", 4" or 4-1/2" Rolled Edge. 1-3/4" face trim on frame and 1-1/4" trim on door.

Tub: The tub is constructed of cold rolled steel with white powder-coat finish standard. Fire-resistant material is attached to the exterior of the tub.

Shelf: Shelf is located 9" from the top of the cabinet, providing storage for the blanket above the extinguisher.

Blanket: Includes a nominal 62" x 80" x 2.75 lb., processed wool/synthetic fire blanket which meets the Flammable Fabrics Act: Flammability of Clothing Textiles, Title 16, CFR1610

Fire Rating: Fire-FX2™ cabinets are UL listed and labeled as an approved membrane penetration firestop system for up to 2 hours in accordance with UL 1479 (ASTM-E814) and CAN/ULC-S115, when properly installed in a wall assembly according to installation instructions.



Model 3616F10FX2 with 1-1/2" Square Trim

STEP 1: SELECT DOOR STYLE WITH HANDLE

- F** Full Glazing in 1-1/4" wide Frame
- G** Full Glazing with SAF-T-LOK in 1-1/4" Frame
- D** Horizontal Duo Panel
- E** Horizontal Dual Panel with SAF-T-LOK
- S21** Solid Door

Check one box below Examples on Page 2

- L22** Solid with SAF-T-LOK
- L24** Solid with Cylinder Lock - No Handle
- V** Vertical Duo
- W** Vertical Duo with SAF-T-LOK
- B** Solid with View Window & SAF-T-LOK

STEP 2: SELECT DOOR GLAZING

- 10** Clear Acrylic
- 17** Clear Tempered Glass

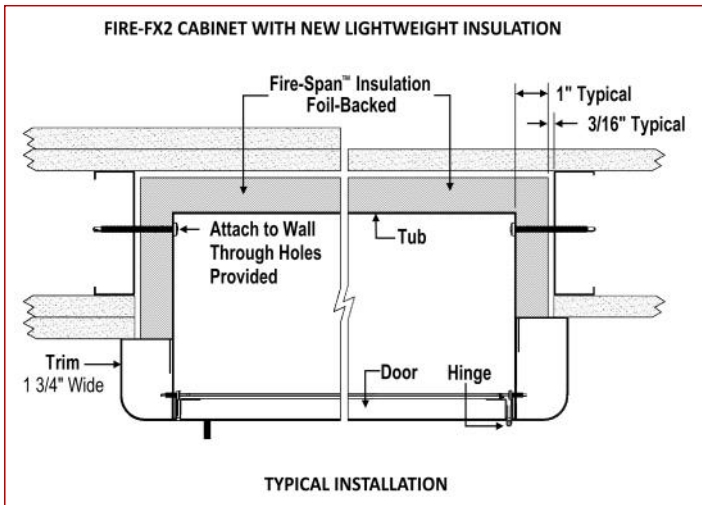
STEP 3: Optional Features at Additional Cost:

- | | | |
|--|---|---|
| <input type="checkbox"/> Color Tub - Red | <input type="checkbox"/> Brigadier Alarm | <input type="checkbox"/> Red Vertical FE Letters LDCVRFE |
| <input type="checkbox"/> Color Tub - Black | <input type="checkbox"/> "Fire Blanket" Letters - Red Horizontal LDCHRFB | <input type="checkbox"/> White Vertical FE Letters LDCVWFE |
| <input type="checkbox"/> Color Door/Trim - Red | <input type="checkbox"/> Futura "Fire" Handle __Mill __ White __ Red | <input type="checkbox"/> Black Horizontal FE Letters LDCHBFE |
| <input type="checkbox"/> Color Door/Trim - Black | <input type="checkbox"/> (PRH) Flush Pull Handle | <input type="checkbox"/> Red Horizontal FE Letters LDCHRFE |
| <input type="checkbox"/> Commander Alarm | <input type="checkbox"/> Black Vertical FE Letters LDCVBFE | <input type="checkbox"/> White Horizontal FE Letters LDCHWFE |
| <input type="checkbox"/> (MC) Magnetic Catch | | |

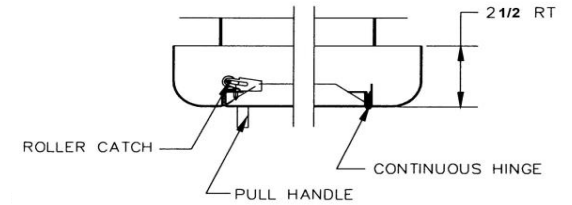
QTY	TRIM & DOOR & SERIES #		TUB I.D.			FRAME O.D.		FX WALL OPENING			Fits Fire Extinguishers
	Model	Trim Style	A	B	C	E	F	W	H	D	
	3615	Flat Trim	12"	36"	8"	15-3/8"	39-3/8"	14 5/16"	38 5/16"	8 15/16"	Cosmic & Galaxy 2.5-10, Any Mercury Sentinel 5-10, Saturn 15-25, Grenadier P. Nebula 270
	3616	1-1/4" Square Edge	12"	36"	8"	15-3/8"	39-3/8"	14 5/16"	38 5/16"	7 15/16"	
	3617	2-1/2" Rolled Edge	12"	36"	8"	15-3/8"	39-3/8"	14 5/16"	38 5/16"	6 11/16"	
	3612	4" Rolled Edge - Recessed Pull	12"	36"	8"	15-3/8"	39-3/8"	14 5/16"	38 5/16"	5 3/8"	
	3618	4-1/2" Rolled Edge	12"	36"	8"	15-3/8"	39-3/8"	14 5/16"	38 5/16"	4 11/16"	

Cabinets in Blue Meet 4" Maximum ADA Projection Requirement

<p>JL INDUSTRIES</p> <p>9702 Newton Av S. Bloomington, MN 55431 Many Locations Nationwide</p>	<p>☎ 800-554-6077</p> <p>✉ sales@activarcpg.com</p> <p>🌐 www.activarcpg.com</p>	<p>Distributor:</p> <p>Contractor:</p> <p>Date:</p> <p>Scale: N/A</p>	<p>Project:</p> <p>Approved By:</p> <p>Architect:</p> <p>Pages: 1 of 2</p> <p>Item #</p>
--	---	---	--



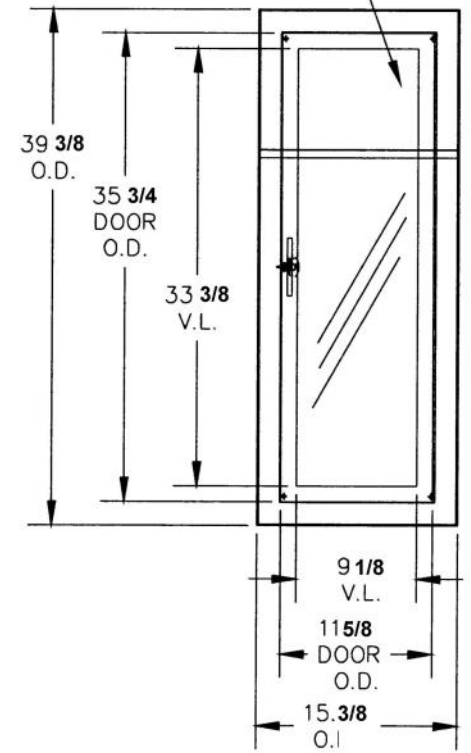
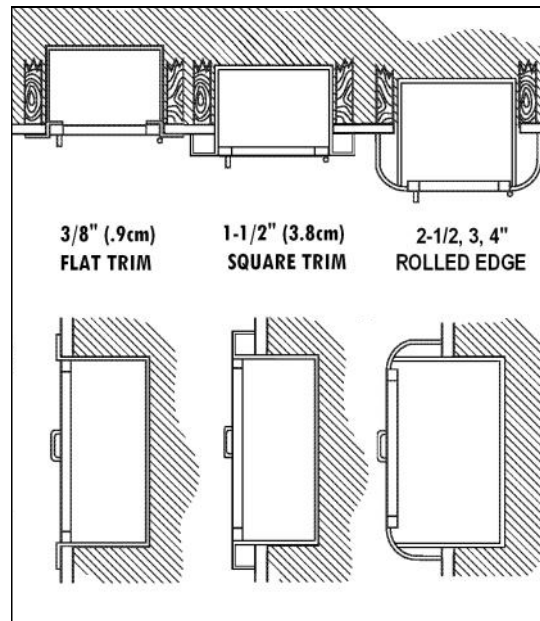
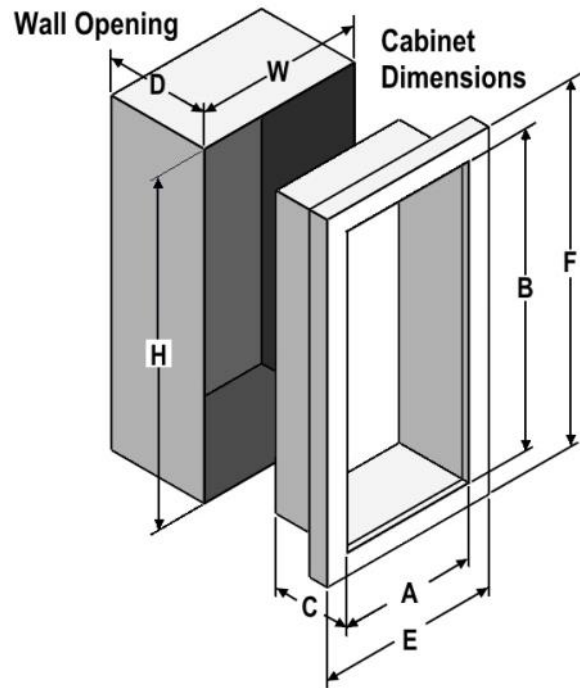
Lightweight, FX2 Insulation



Model 3617F10FX2 Shown Above

20 GA CRS FULL-GLASS DOOR W/ .09" ACRYLIC GLAZING (SP-12768)

PULL HANDLE



It is the responsibility of the customer to communicate specifications and product performance requirements that are needed for their application. This document is intended to convey potential product configurations and offerings. It is not to be used to imply or represent a specification or rating, of finished products shipped. Detailed, specific submittals can be created upon request. It is the responsibility of the customer to specify product accordingly to comply with local laws, codes, and ordinances.