

SUBMITTAL: 3600 SERIES BLANKET & EXTINGUISHER CABINET - STEEL

Door and Trim Construction: Cold rolled steel with white powder-coat finish. Flush cabinet doors with a 5/8" door stop are attached by a continuous hinge and equipped with zinc-plated handle and roller catch. Full glazed front with pull handle.

Trim Style and Depth: *Recessed* - 3/8" Flat Trim. *Semi-Recessed* - 1-1/2" Square Trim or 2-1/2" Rolled Edge. *Surface-Mounted*. - has a square edge. 1-3/4" face trim on frame and 1-1/4" trim on door. ADA-compliant models in [blue](#).

Tub: Constructed of cold rolled steel with white powder-coat finish standard.

Glazing: .09 Acrylic Glazing

Shelf: Shelf is located 9" from the top of the cabinet, providing storage for the blanket above the extinguisher.

Blanket: Includes a nominal 62" x 80" x 2.75 lb., processed wool/synthetic fire blanket which meets the Flammable Fabrics Act: Flammability of Clothing Textiles, Title 16, CFR1610

Fire Rated Option : See Separate Submittal for FX Model

STEP 1: SELECT DOOR STYLE WITH HANDLE

- F** Full Glazing in 1-1/4" wide Frame
- G** Full Glazing with SAF-T-LOK™ in 1-1/4" Frame
- D** Horizontal Duo Panel
- E** Horizontal Dual Panel with SAF-T-LOK™
- S21** Solid Door

Check one box below Examples on Page 2

- L22** Solid with SAF-T-LOK™
- L24** Sold with Cylinder Lock - No Handle
- V** Vertical Duo
- W** Vertical Duo with SAF-T-LOK™
- B** Solid with 2" x 4" View Window & SAF-T-LOK™

STEP 2: SELECT DOOR GLAZING

- 10** Clear Acrylic
- 17** Clear Tempered Glass



3617F10


STEP 3: OPTIONAL FEATURES AT ADDITIONAL COST:

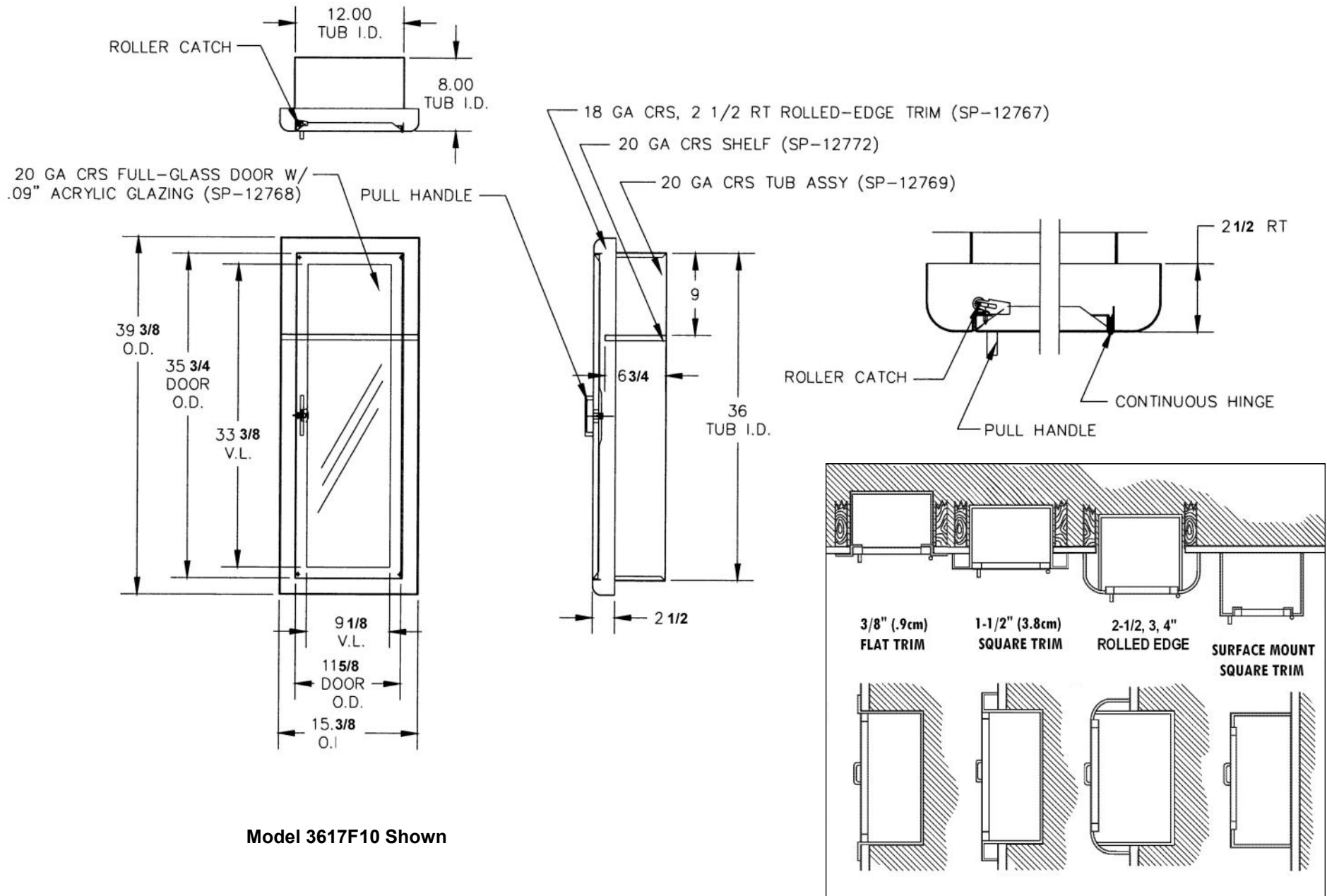
- Color Tub - Red
- Color Tub - Black
- Color Door/Trim - Red
- Color Door/Trim - Black
- Other Color Code: _____
- (MC) Magnetic Door Catch- Replaces Roller Catch

- Commander Alarm
- Brigadier Alarm
- Strobe Alarm (3612, 3618 or 3613. models)
- Futura "Fire" Handle
- Flush Pull Handle
- "Fire Blanket" Letters - Red Horizontal LDCHRFB

- Black Vertical FE Letters **LDCVBFE**
- Red Vertical FE Letters **LDCVRFE**
- White Vertical FE Letters **LDCVWFE**
- Black Horizontal FE Letters **LDCHBFE**
- Red Horizontal FE Letters **LDCHRFE**
- White Horizontal FE Letters **LDCHWFE**

QTY	TRIM & DOOR & SERIES #		TUB I.D.			FRAME O.D.		WALL OPENING			ACCOMMODATES FOLLOWING EXTINGUISHERS
	Model	Trim Style	A	B	C	E	F	W	H	D	
	3615	Flat Trim	12"	36"	8"	15-3/8"	39-3/8"	13"	37"	7 7/8"	Cosmic & Galaxy 2.5-10, Any Mercury Sentinel 5-10, Saturn 15-25, Grenadier P. Nebula 270
	3616	1-1/4" Square Edge	12"	36"	8"	15-3/8"	39-3/8"	13"	37"	6 7/8"	
	3617	2-1/2" Rolled Edge	12"	36"	8"	15-3/8"	39-3/8"	13"	37"	5 5/8"	
	3612	4" Rolled Edge - Recessed Pull	12"	36"	8"	15-3/8"	39-3/8"	13"	37"	4 3/8"	
	3618	4-1/2" Rolled Edge	12"	36"	8"	15-3/8"	39-3/8"	13"	37"	3 5/8"	
	3613	Surface-Mounted Square	15-3/16"	39-3/16"	8 1/2"	15-3/8"	39-3/8"	---	---	---	

 JL INDUSTRIES 9702 Newton Av S. Bloomington, MN 55431 Many Locations Nationwide	800-554-6077 sales@activarcpg.com www.activarcpg.com	Distributor:	Project:
		Contractor:	Approved By:
	Date:	Quantity:	Architect:
	Scale: N/A	Pages: 1 of 2	Item #



Model 3617F10 Shown