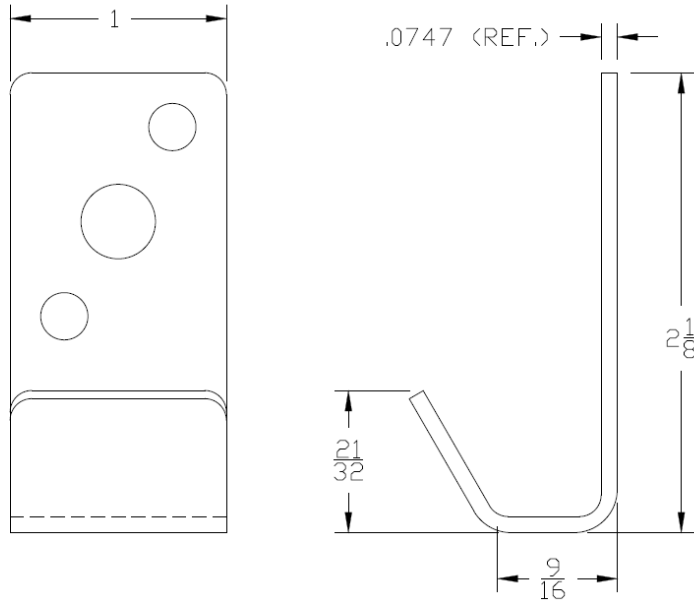


**SUBMITTAL: FIRE EXTINGUISHER - J-HOOK 900935
USED FOR GRENADIER-P (FP02C), SATURN 15 (FK15C) AND SATURN 25 (FK25C)**




SPECIFICATIONS:

Material: 12 Gauge steel

Provided standard with each extinguisher shown above.

See separate submittal for optional mounting brackets.

It is the responsibility of the customer to communicate specifications and product performance requirements that are needed for their application. This document is intended to convey potential product configurations and offerings. It is not to be used to imply or represent a specification or rating, of finished products shipped. Detailed, specific submittals can be created upon request. It is the responsibility of the customer to specify product accordingly to comply with local laws, codes, and ordinances.

 JL INDUSTRIES 9702 Newton Av S. Bloomington, MN 55431	800-554-6077	Distributor:		Project:
	sales@activarcpg.com	Contractor:		Approved By:
	www.activarcpg.com	Date:	Quantity:	Architect:
		Scale: N/A	Pages: 1 of 1	Item # J-HOOK 900935
@ 2024 Activar Construction Products Group, Inc.		THE INFORMATION CONTAINED IN THIS DOCUMENT IS THE SOLE PROPERTY OF ACTIVAR CONSTRUCTION PRODUCTS GROUP, INC. ANY REPRODUCTION IN PART OF AS A WHOLE WITHOUT THE WRITTEN PERMISSION OF ACTIVAR CONSTRUCTION PRODUCTS GROUP, INC. IS PROHIBITED.		
		2/14/2024		