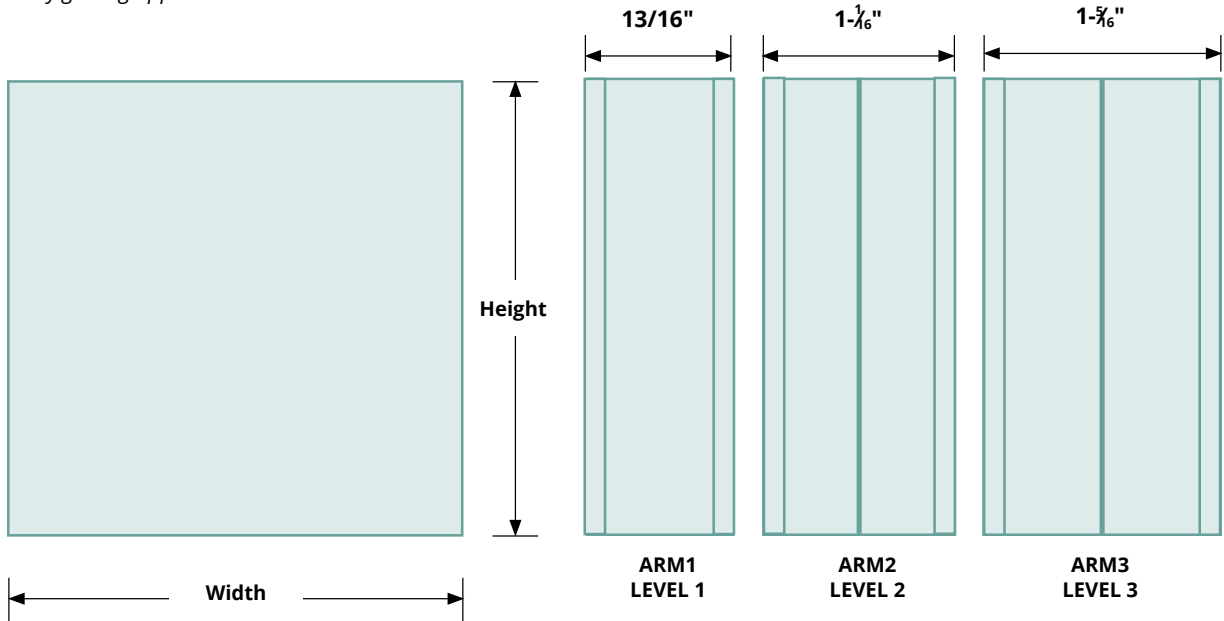


**GLAZING - ARMRSIELD GLAZING - ARM - Non-Fire-Rated Ballistics Glazing**

A lightweight option that offers three levels of ballistic protection. This glazing is designed for the high demands of ballistic and forced entry glazing applications.



UL 752 TEST INFORMATION	
RATING	TEST AMMUNITION
Level 1	9 mm full metal jacket with lead core
Level 2	.357 Magnum lead jacketed soft point
Level 3	.44 Magnum lead semi-wadcutter/gas checked

DISCLAIMER: The manner in which you use and the purpose to which you put and utilize our products, technical assistance and information (whether verbal, written or by way of production evaluations), including any suggested formulations and recommendations are beyond our control. Therefore, it is imperative that you test our products, technical assistance and information to determine to your own satisfaction whether our products, technical assistance and information are suitable for your intended uses and applications. This application-specific analysis must at least include testing to determine suitability from a technical as well as health, safety, and environmental standpoint. Such testing has not necessarily been done by us. Unless we otherwise agree in writing, all products are sold strictly pursuant to the terms of our standard conditions of sale which are available upon request. All information and technical assistance is given without warranty or guarantee and is subject to change without notice. It is expressly understood and agreed that you assume and hereby expressly release us from all liability, in tort, contract or otherwise, incurred in connection with the use of our products, technical assistance, and information. Any statement or recommendation not contained herein is unauthorized and shall not bind us. Nothing herein shall be construed as a recommendation to use any product in conflict with any claim of any patent relative to any material or its use. No license is implied or in fact granted under the claims of any patent. Please consult your AHJ to make sure your glazing complies with local ordinances before ordering.

**SPECIFICATIONS:**

- Material:** 3 or 4 ply polycarbonate laminate
- Thickness:** 13/16", 1-1/16", 1-5/16" (20.6, 26.5, 33 mm)
- Weight:** 5.1, 6.5, 8.1 psf
- Light Transmission:** 88%, 72%, 72%
- STC:** 35, 36, 37
- Size:**

- ARM1:** Minimum 12" x 12", Maximum: 48" x 96"
- ARM2:** Minimum 12" x 12", Maximum: 60" x 96"
- ARM3:** Minimum 12" x 12", Maximum: 48" x 96"

**RATINGS:**

- ARM1:** UL 752 Level 1
- ARM2:** UL 752 Level 2, ASTM F 1233.08 Class 5 & 2.5, ASTM F 1915.03 Grade 1, HP White TP 0500.03 Level IV Sequence 43
- ARM3:** UL 752 Level 3, ASTM F 1233.08 Class 5 & 2.5, ASTM F 1915.03 Grade 1, HPW TP 0500.03 Level IV, Sequence 43-44
- Impact Safety Rating:** CPSC 16CFR 1201 (CAT I & II)

**Compatible Frames\*:**

- ARM1:** VLFIG, EZLine VLFEZIG, Slimline VSIG, VLFS10
- ARM2:** ThruBoltLine VLFIG & VLFS10
- ARM3:** ThruBoltLine VLFIG & VLFS10

**Warranty:** Seven year limited

**OPTIONS & ACCESSORIES:**

**Standard Tape:** TAPE: 1/16" x 3/8" wide 200ft, adhesive back, black closed cell polyvinyl chloride foam glazing tape applied to glazing or ordered separately.

**TAPE, WHEN ORDERED SEPARATELY**

<b>GTAPE 200B</b>	200' Roll Tape
-------------------	----------------

**NOTE:**


Order size is actual glass size. This is not a fire-rated product and should not be used in fire-rated door applications.

\*Air Louvers vision frames have not been tested to UL752 test standards.

**MADE-TO-ORDER ARMRSIELD GLASS - EXAMPLE: ARM1 1111-1316**

QTY	MODEL	LEVEL	WIDTH	HEIGHT	THICKNESS	(TAPE APPLIED)
	ARM	1			1316 13/16" (Level 1)	None
		2			01116 1-1/16" (Level 2)	T (1/16" Standard Tape)
		3			01516 1-5/16" (Level 3)	

It is the responsibility of the customer to communicate specifications and product performance requirements that are needed for their application. This document is intended to convey potential product configurations and offerings. It is not to be used to imply or represent a specification or rating, of finished products shipped. Detailed, specific submittals can be created upon request. It is the responsibility of the customer to specify product accordingly to comply with local laws, codes, and ordinances.

 <p><b>AIR LOUVERS</b></p> <p>9702 Newton Ave S. Bloomington, MN 55431   Many Locations Nationwide</p>	<p>800-554-6077</p> <p>sales@activarcpg.com</p> <p>www.activarcpg.com</p>	<p><b>Distributor:</b></p>	<p><b>Project:</b></p>
		<p><b>Contractor:</b></p>	<p><b>Approved By:</b></p>
		<p><b>Date:</b></p>	<p><b>Architect:</b></p>
	<p>Scale: N/A</p>	<p>Pages: 1 of 1</p>	<p><b>Item #:</b></p>