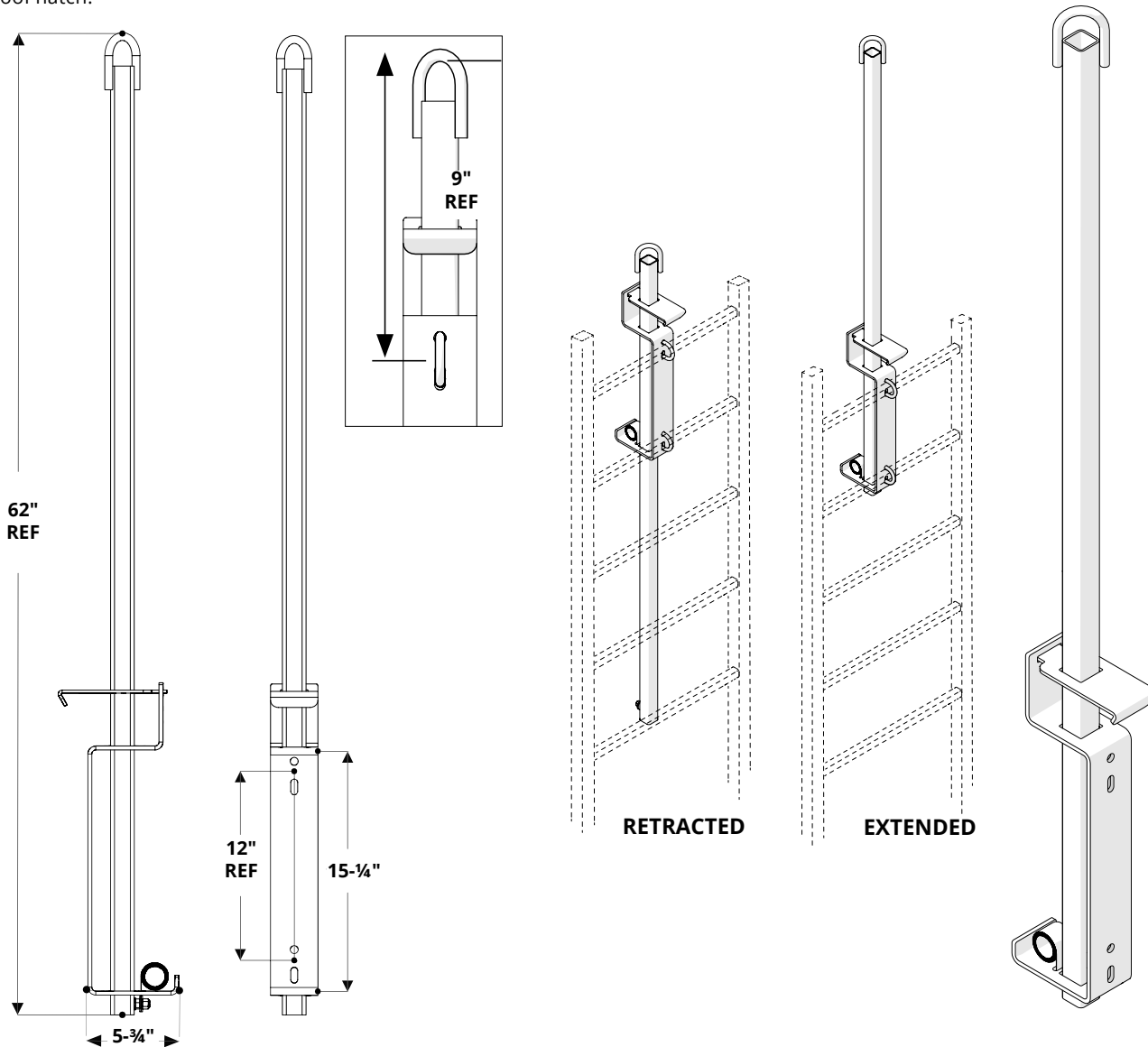


ROOF ACCESSORIES - EXTENDABLE SERIES - Rung-Mounted Ladder Post - LP-4

The extendable safety Ladder Post provides a convenient and safe method to climb on and off fixed access ladders through a roof hatch.



SPECIFICATIONS:

Post Material: Mild steel square tubing 1-1/2" x 1-1/2" x 1/8"

Locking Bracket Material: .20" Steel Plate

Clamping Bracket Material: .25" Steel Plate

Finish: Yellow powder coat

Spring: Stainless steel constant force power spring

Hardware: Zinc-plated steel U bolts, 3/8" zinc plated steel nylon insert locknuts and washers

Ladder Requirements: Round or square rungs in sizes 3/4" - 1-1/4" spaced 12" apart. When mounted, the rung centers must allow at least a 7" foot clearance, as required by OSHA.

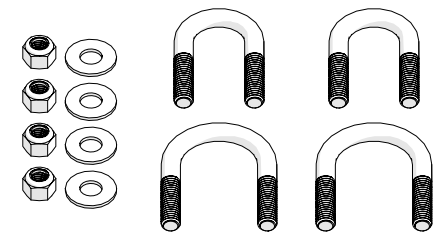
Load: Tested to 250 lb concentrated load.

NOTES:

The ladder post is furnished completely assembled ready to mount on a fixed vertical ladder that is structurally sound and securely anchored.

Important: Use top loop for raising and pulling up the post only. It is not suitable for attaching a safety fall arrest harness and should not be used for this purpose.

QTY	MODEL	MATERIAL	WEIGHT
	LP-4	Steel	25 lbs



LP-KIT-HDWE: Hardware Kit (included)

It is the responsibility of the customer to communicate specifications and product performance requirements that are needed for their application. This document is intended to convey potential product configurations and offerings. It is not to be used to imply or represent a specification or rating, of finished products shipped. Detailed, specific submittals can be created upon request. It is the responsibility of the customer to specify product accordingly to comply with local laws, codes, and ordinances.



800-554-6077

sales@activarcpg.com

www.activarcpg.com

Distributor:

Project:

Contractor:

Approved By:

Date:

Architect:

CANADA ONLY: 604-433-4243 info@maxammetal.com maxammetal.com

Scale: N/A

Pages: 1 of 1

Item #: