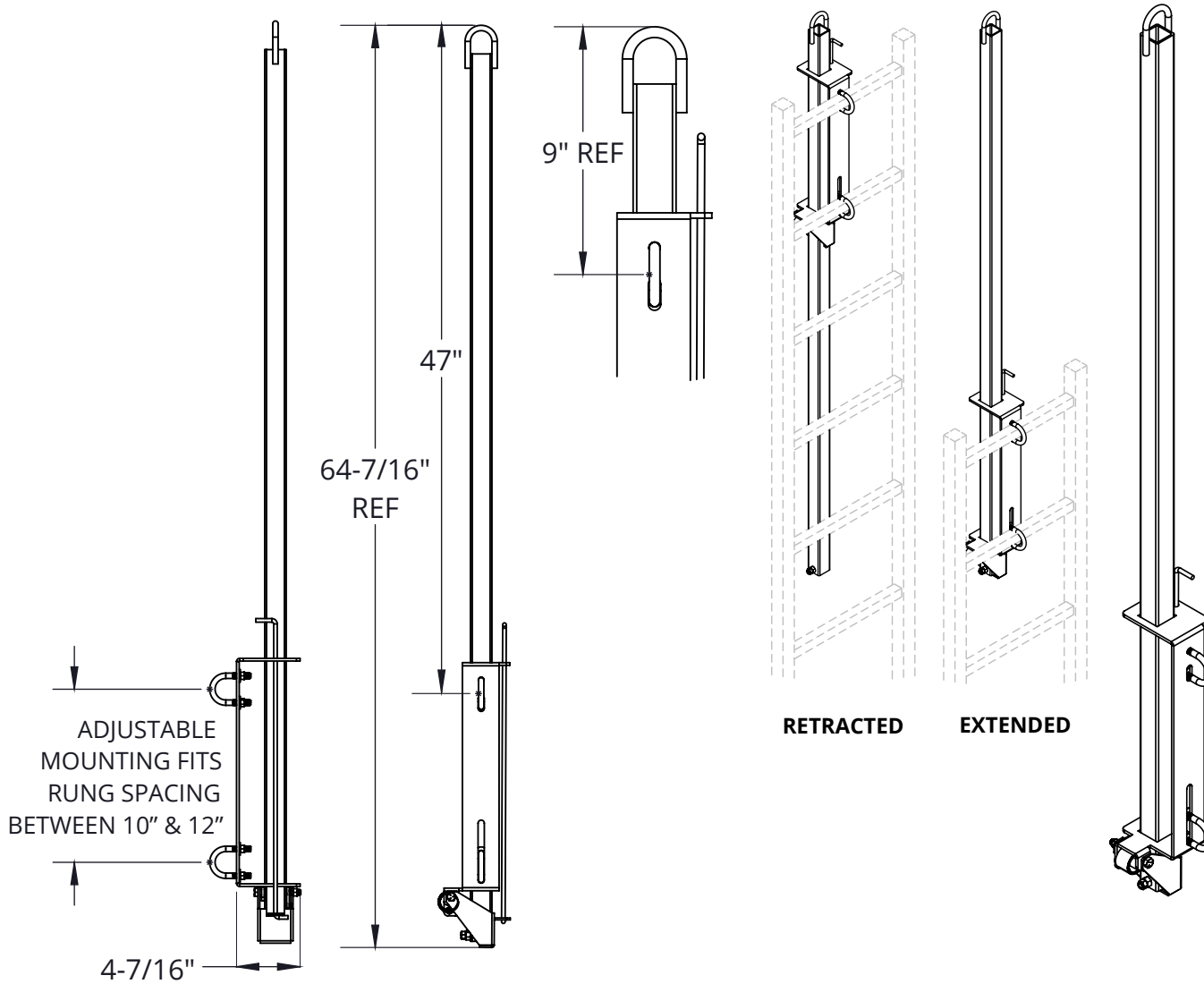


**ROOF ACCESSORIES - RSLP SERIES - Spring-Balanced Ladder Post**

Designed for safe entry and exit assistance from roof hatch or floor door in an upright and balanced position. The spring balanced safety post comes fully assembled, ready for installing onto fixed vertical ladder rungs.



**SPECIFICATIONS:**

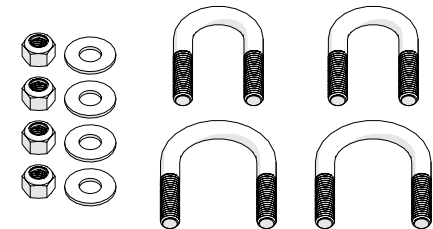
- Post Material:** Heavy wall square tubing: 1-1/2" x 1-1/2" steel
- Finish:** Hot dip galvanized or powder coated yellow
- Spring Type:** Constant force balancing stainless steel spring
- Hardware Included:** Zinc plated U-bolts
- Ladder Requirements:** Round or square rungs in sizes 3/4" - 1-1/2" spaced between 10"-12" apart, per OSHA 1910.23(b1)

**NOTES:**

Ensure the ladder is of structurally sound quality – Hollow rungs not recommended and must be internally reinforced to prevent the rungs from being crushed.

**Important:** Use top loop for raising the post only. It is not suitable for attaching a safety fall arrest harness and should not be used for this purpose.

QTY	MODEL	MATERIAL	FINISH	WEIGHT
	<b>RSLP-G</b>	Steel	Hot-dip galvanized	23 lbs
	<b>RSLP-Y</b>	Steel	Powder Coat Yellow	23 lbs



RSLP-KIT-HDWE: Hardware Kit (replacement parts)

It is the responsibility of the customer to communicate specifications and product performance requirements that are needed for their application. This document is intended to convey potential product configurations and offerings. It is not to be used to imply or represent a specification or rating, of finished products shipped. Detailed, specific submittals can be created upon request. It is the responsibility of the customer to specify product accordingly to comply with local laws, codes, and ordinances.

	800-554-6077 sales@activarcpg.com www.activarcpg.com	Distributor:	Project:
		Contractor:	Approved By:
		Date:	Architect:
CANADA ONLY: 604-433-4243 info@maxammetal.com maxammetal.com	Scale: N/A	Pages: 1 of 1	Item #: