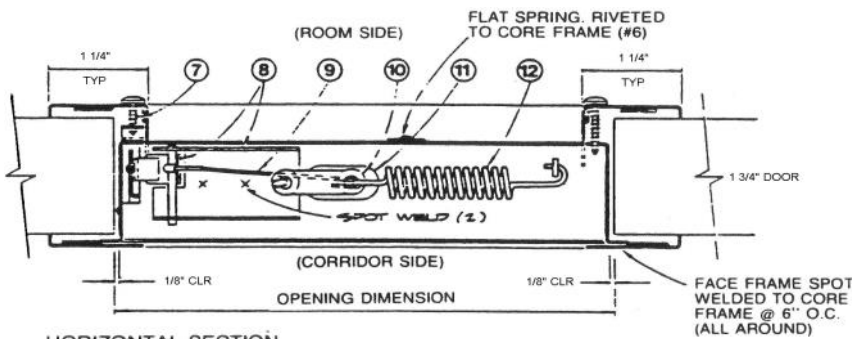


# INSTALLATION: FIRE-RATED 1900A LOUVER

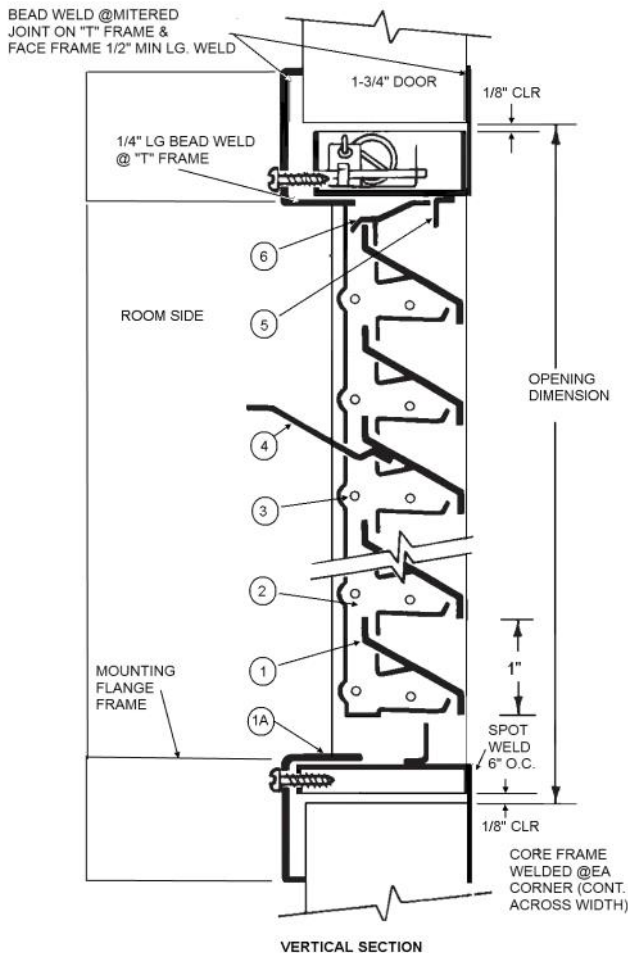
1. Before installing Model 1900A Fire door Louver into a fire door, be sure that the door cutout (order size) is accurate.
2. Position one side of Model 1900A in the door cutout (as it would be installed). Model 1900A requires a single door cutout only for installation.
3. With the frames in place, screw the mounting screws through the pre-punched holes in the frame on the room side. Screw firmly together.  
Note: Use the 1/2" long screws in hole nearest fusible link.
4. Visually inspect the fusible link to assure that it is unbroken. Do not install if link is not intact. **Paint should not be applied to the fusible link or any of the connecting hardware including the hold-open clip.**

## SPECIFICATIONS:

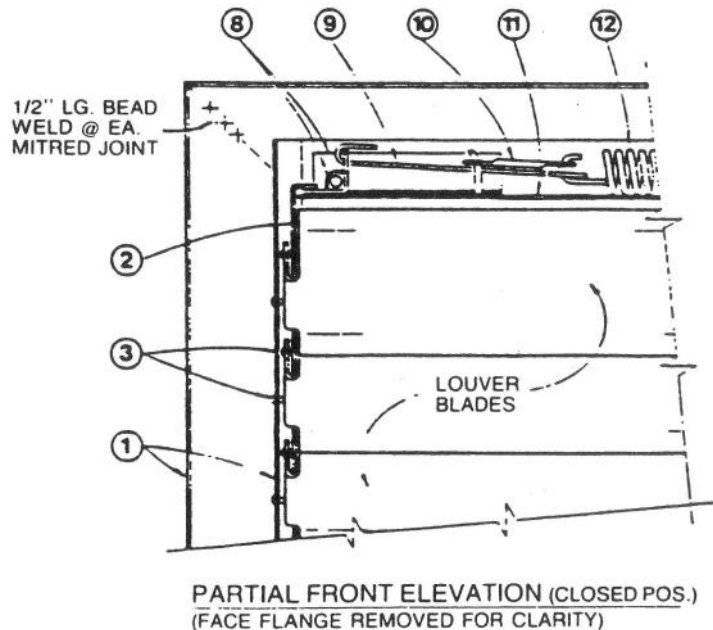
1. Louver Blades 16 ga (.059) Cold Roll Steel.
- 1a. Channel Frame & Flange— Frame 18 ga (.048") CRS.
2. Action Bar 3/8" x .050 CRS.
3. Rivets—Cadmium Plated (.090"  $\varnothing$  x .21 LG.)
4. Adjusting Tab—Position Approx 1/3 from Bottom of Unit. (Spot Welded to Blade).
5. Blade Stop 5/8" x 3/8" x 18 ga. (.048") CRS. Angle (Spot Welded to Core Frame).
6. Flat Spring—Hold Blades in Open Position (Riveted to Frame).
7. Mounting Screws—#8 Phillips Head (3 @ 3/4" LG. & 1 @ 1/2" LG.)
8. Rocker Arm and Closing Bar and Housing.
9. "S" Hook—.080" Cadmium Plated Steel.
10. Fusible Link—Design Temp 165° F Maximum.
11. Heat Opening—1/2" x 1".
12. Tension Spring—3" LG x 1/2"  $\varnothing$  x .063" Thk. Cadmium Plated Steel.



HORIZONTAL SECTION



VERTICAL SECTION



PARTIAL FRONT ELEVATION (CLOSED POS.)  
(FACE FLANGE REMOVED FOR CLARITY)



HEADQUARTERS 9702 NEWTON AV S, BLOOMINGTON, MN 55431- PH: 800-554-6077 FAX: 952-835-2218

141-309

EMAIL: SALES@ACTIVARCPG.COM • WWW.ACTIVARCPG.COM • ACPG WEST COAST & MFG: COMMERCE CA

ACPG WAREHOUSES: LANCASTER PA, ATLANTA GA, CHICAGO IL, SEATTLE WA, FT MYERS FL, DALLAS TX, OMAHA NE, FARGO ND

10-1-2013