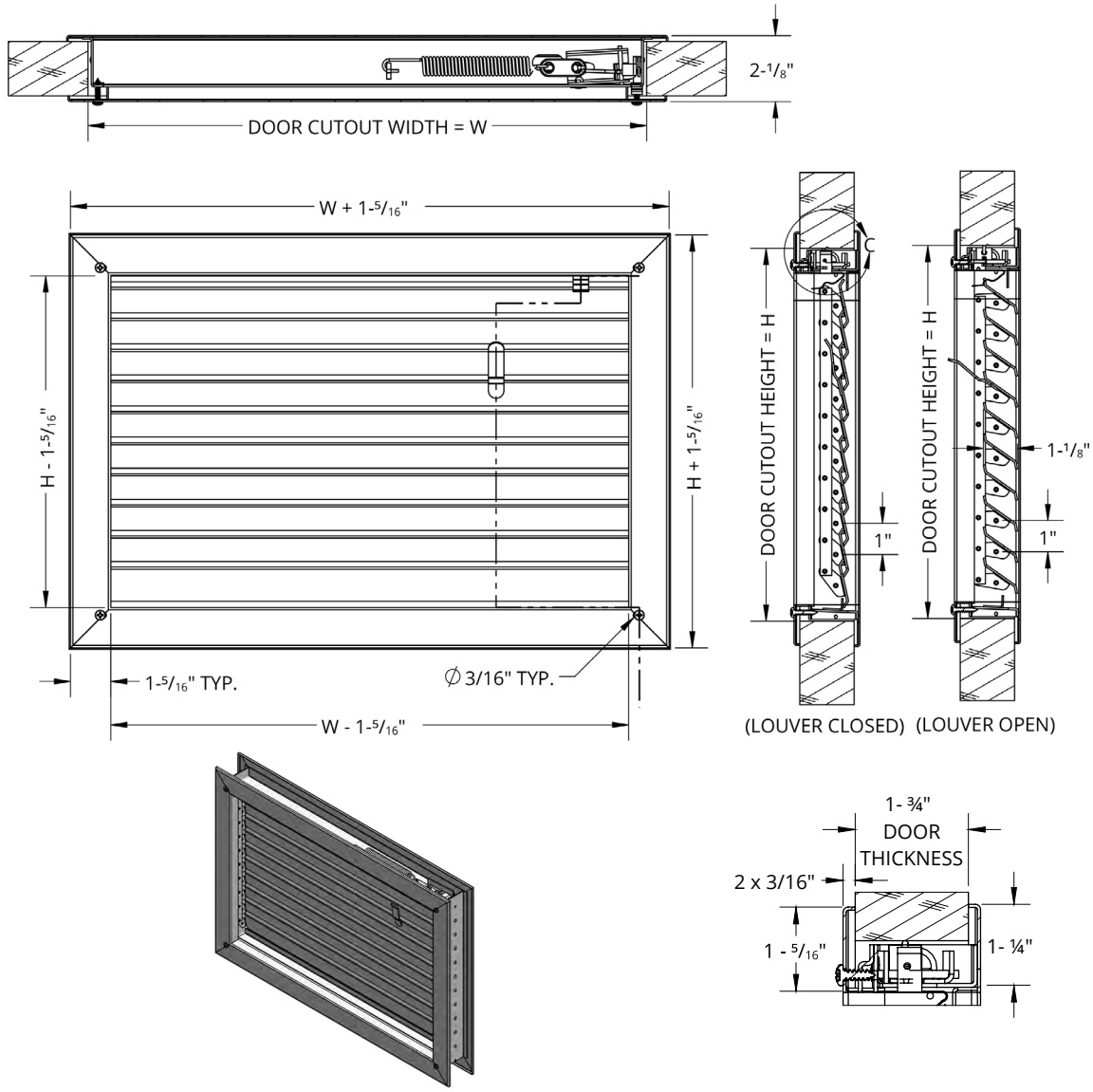


**FIRE-RATED UP TO 1 HOUR**

**DOOR LOUVERS - 1900A SERIES FIRE-RATED OPERABLE Z-BLADE**

The fire-rated door louvers are designed with operable Z blades and include a fusible link that melts at 165° F to rotate and automatically close the louver blades during a fire. Fire Rated door louvers are designed with self-attaching, vandal-proof, flanged frames for 1-3/4" steel and composite fire doors up to 1-1/2-hour rating.



**SPECIFICATIONS:**

**Application:** For wood, steel and composite doors 1-3/4" thick

**Frame:** 18-gauge (.048") cold rolled steel with mitered and welded corners with self-attaching frame where screws fasten into the core and are not exposed on the corridor side

**Blades:** 16-gauge (.059") cold rolled steel Z-blades spaced at 1" internals, riveted to operating bar allowing open and close adjustability

**Standard Finish:** Mineral bronze powder coat

**Fasteners:** #8 x 3/4" & #8 x 1/2" Phillips flathead screws to match finish

**Operation:** Door louver blades fully close automatically when 165°F fusible link melts. An external metal tab on the door louver blade on room side can fully close or fully open the louver blades.

**Size:**

**Minimum width:** 10" x 6"

**Maximum Height:** 24" x 24"

Door Cutout = Order Size (W x H)

**Free Area:** 45%

**FIRE RATINGS:**

UL listed and labeled/stamped to ANSI/UL10B, ANSI/UL 10C and CAN/ULC S104 for installation in up to 90-minute doors.

**OPTIONS:**

**Materials:** Zinc plated steel

**Finish:** Optional powder coat colors

**Insect Screens:** 18 x14 mesh/sq-in insect screen in aluminum, bronze, fiberglass, stainless steel

**Bird Screens:** 1/4" x 1/4" Galvanized steel

*Interpretation of fire and building codes may vary. Consult with the local authority having jurisdiction (AHJ) to determine appropriate standards.*



**AIR LOUVERS**

9702 Newton Avenue S, Bloomington, MN 55431

800-554-6077

sales@activarcpg.com

www.activarcpg.com

Distributor:		Project:	
Contractor:		Approved By:	
Date:		Architect:	
Scale: N/A	Page 1 of 2	Item#:	

**FIRE-RATED UP TO 1 HOUR**  
**DOOR LOUVERS - 1900A SERIES FIRE-RATED OPERABLE Z-BLADE**

**COMMON SIZES 1900A SERIES LOUVER**

QTY	MODEL	SIZE WxH	WT (LBS)	COLOR
	1900A 1812B	18" x 12"	11	Bronze
	1900A 1818B	18" x 18"	16	
	1900A 2412B	24" x 12"	16	
	1900A 2418B	24" x 18"	19	
	1900A 2424B	24" x 24"	28	

**MADE-TO-ORDER 1900A SERIES LOUVER - EXAMPLE: 1900A 2424B**

QTY	MODEL	MATERIAL	WIDTH	HEIGHT	POWDER COAT FINISH	(OPTIONS)
	<b>1900A</b>	(None) Cold Rolled Steel (Std.)			<b>B</b> Bronze (Std.)	<b>AS</b> Aluminum Insect Screen
		<b>EG</b> Zinc-Plated Steel			<b>AB</b> AMS Beige	<b>BS</b> Bronze Insect Screen
					<b>SB</b> SC Beige	<b>FS</b> Fiberglass Insect Screen
					<b>S</b> Sand	<b>SS</b> Stainless Steel Insect Screen
					<b>G</b> Gray	<b>GS</b> Galvanized Bird Screen
					<b>SI</b> Silver	
					<b>W</b> White	
					<b>BK</b> Black	
					<b>FB</b> Flat Black	
					<b>BA</b> Brass	



**1900A in Bronze**

It is the responsibility of the customer to communicate specifications and product performance requirements that are needed for their application. This document is intended to convey potential product configurations and offerings. It is not to be used to imply or represent a specification or rating, of finished products shipped. Detailed, specific submittals can be created upon request. It is the responsibility of the customer to specify product accordingly to comply with local laws, codes, and ordinances.