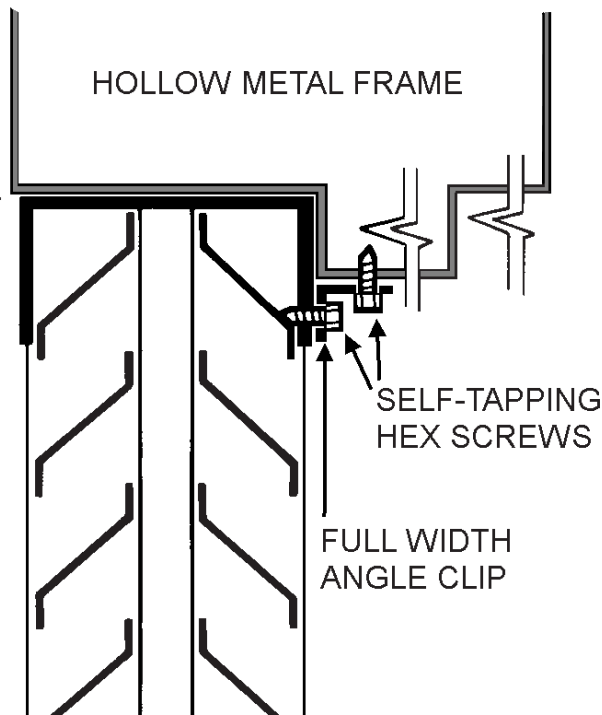


TRANSOM LOUVER—700TL

INSTALLATION AND MAINTENANCE GUIDE

1. Place the louver into the opening in the hollow metal frame, making sure that it is centered side to side and properly positioned front to back.
2. On inside, align full width angle clip along bottom edge of frame so that it abuts the hollow metal frame on the sides.
3. Using self tapping screws, screw through angle clip into bottom hollow metal frame.
4. Using self tapping screws, screw through angle clip into bottom edge of louver frame.
5. Repeat # 2-4 at the top of the frame, and then the 2 sides as needed to secure louver.



Material	Finish Description	Cleaning & Maintenance
Steel	Powder Coat Paint	Use a soft cloth and mild soap and water.
Stainless Steel	304 Stainless Steel with #4 finish (US32D)	Use a soft cloth and mild soap and water solution. After cleaning, thoroughly rinse with clear water to remove all traces of the solution and wipe dry to prevent water marks from forming. Stains which resist that treatment can usually be removed by polishing in the direction of the grain with a soft cloth and a non-abrasive stainless steel polish such as Mr. Metal by Northern Labs. Test in an unobtrusive area. Do not use steel wool or a wire brush which may embed particles into the product and rust.



AIR LOUVERS



800-554-6077



sales@activarcpg.com



www.activarcpg.com

9702 Newton Av S. Bloomington, MN 55431 | Many Locations Nationwide

700TL

Page 1 of 1