

STANDARD Z-BLADE LOUVER: 900 SERIES

Standard "Z" Blades Recommended for Schools, Class "A" and Institutional Buildings.



SPECIFICATIONS:

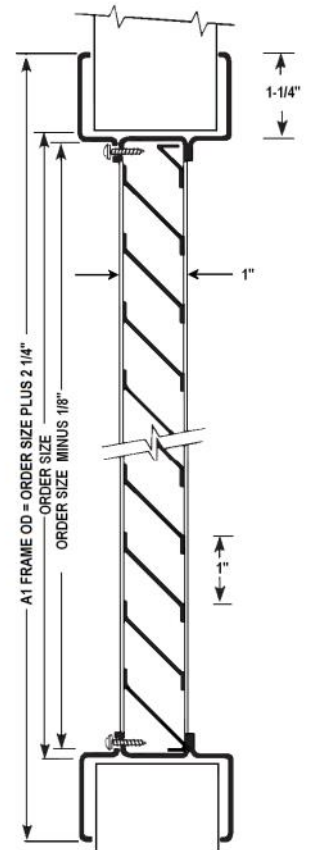
Material:	18 gauge CRS frame and blades. Min size 6" W x 4" H, Max 48" W x 80" H. Multiple sections can be combined for larger sizes. See below for framed screen minimum sizes.
Construction:	Louvers: "Z" blades with 1" blade spacing are attached by interlocking construction to the 1" deep, welded frame. Non-vision. 900A1 Frame: 1-1/4" trim, mitered and welded corners. Screws fasten through frame into louver core, leaving corridor side of frame free of fasteners.
Door:	___ 1-3/4" - A1 Style. Door cutout = order size. ___ 1 3/8"-1 3/4" - 900C, 900A, 900
Mounting Options:	___ Select one mounting option from table below.
Fasteners:	Phillips head screws #8 x 3/4" to match finish.
Powder Coat Finishes:	___ (B) Mineral Bronze (standard color) ___ (G) Gray ___ (BK) Black ___ (FBK) Flat Black ___ (W) White ___ (SI) Silver ___ (S) Sand These and other color examples can be viewed on our website
Free Flow Area:	43% free area.

OPTIONAL FEATURES AT AN ADDITIONAL COST:

Finishes & Materials:	___ (S) 18 gauge stainless steel, #4 finish ___ 16 gauge Cold Rolled Steel ___ (J) Galvanneal sheet for exterior use and corrosion-resistance ___ (E) Zinc-Plated for corrosion resistance & exterior use .
Fasteners:	___ Torx ___ Other: _____
Screen:	Screens are installed in roll-formed aluminum frame which are 3/8" less than order size. Minimum louver size 6" x 6" required to add screen option. A1—installed on corridor side, 900C, 900A & 900—installed on room side ___ <i>Insect Screen—18 x 14 Mesh;</i> ___ Select option: ___ aluminum ___ bronze ___ fiberglass ___ stainless ___ <i>Bird Screen; 1/4" x 1/4"</i>
Custom:	Custom sizes, other door thicknesses— contact customer service.

Order Format: 900
Example: 900C 1212AB A,A1,C or blank Option S,J,E W H Color

900A1 Mounting Option Shown Photo & Drawing



DOOR MOUNTING OPTIONS - SELECT ONE	
900A1: Self-attaching, vandal-proof design; basic blade unit with flanged frame welded to face (corridor) side and separate removable flanged frame on opposite side; fits 1-3/4" door only.	
900: Core basic blade unit only; for interior door or as transom louver held in place with wood or metal molding (furnished by others); any door size.	
900C: Basic blade unit with single flanged frame welded to face (corridor) side. Wood or metal molding (by others) used on opposite side; fits any size door.	
900A: Basic blade unit with flanged frame welded to face (corridor) side and separate flanged frame on opposite side; frame adjustable to fit any door thickness from 1-3/8" to 1-3/4".	

<p>© 2023 Activar Construction Products Group, Inc.</p>	Distributor: _____	Width: _____ x Height: _____
	Architect: _____	Quantity: _____
	Contractor: _____	Model: _____
	Project: _____	Date: _____ Version: 12/8/23
<p>800-554-6077 QUOTES@ACTIVARCPG.COM ORDERS@ACTIVARCPG.COM SALES@ACTIVARCPG.COM VISIT WWW.ACTIVARCPG.COM FOR THE MOST UPDATED PRODUCT INFORMATION BEFORE ORDERING MFG: COMMERCE CA, BLOOMINGTON, MN • WAREHOUSES: MANY LOCATIONS ACROSS NORTH AMERICA</p>		