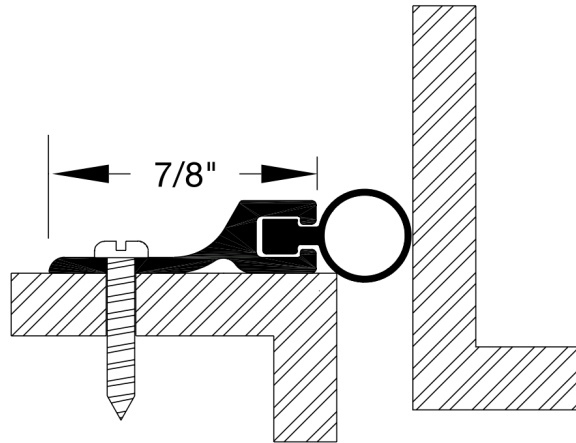


DOOR WEATHERSTRIP- PERIMETER WEATHERSTRIP - WT-807

Weatherstrip used for sealing the perimeter of fire, smoke and draft rated doors. WT-807 has a gray vinyl bulb insert.



SPECIFICATIONS:

Material: 6063-T5 Aluminum

Standard Finish: Mill

Insert: Gray vinyl

Fasteners: Zinc-plated steel #6 x 5/8" Philips pan head self-tapping sheet metal screws, use 7/64" drill bit (6" hole spacing)

Sizes:

Minimum: 6"

Maximum: 184"

Order size listed is exact cut size

TESTING:

Fire Rated: UL Classified per UL10B, CAN/ULC-S104, UL10C for use on listed steel frames and/or classified hollow metal and steel covered composite type fire doors rated 3 hours, wood composite to 1-1/2 hours, wood core type rated 20 min without hose stream.

Smoke and draft control: UL classified UL10C and UL 1784 Air Leakage Category H for use on "S" labeled doors.

OPTIONS:

Material Finishes: Black anodized aluminum, clear anodized aluminum, dark bronze anodized aluminum

Fasteners: #6 Tek screws (self-drilling, self-tapping)

Interpretation of fire and building codes may vary. Consult with the local authority having jurisdiction (AHJ) to determine appropriate standards.


MADE-TO-ORDER DOOR WEATHERSTRIP PERIMETER EXAMPLE: WT-807A-36X84

QTY	MODEL	SERIES	MATERIAL	SIZES	OPTIONS																						
	WT-807	Perimeter weatherstrip	<table border="1"> <tr> <td>A</td> <td>Mill aluminum - Std.</td> </tr> <tr> <td>BLK</td> <td>Black anodized alum</td> </tr> <tr> <td>C</td> <td>Clear anodized alum</td> </tr> <tr> <td>D</td> <td>Dark bronze anodized alum</td> </tr> </table>	A	Mill aluminum - Std.	BLK	Black anodized alum	C	Clear anodized alum	D	Dark bronze anodized alum	<table border="1"> <tr> <td>36X84</td> <td>Set (1) 36 and (2) 84"</td> </tr> <tr> <td>36X96</td> <td>Set (1) 36 and (2) 96"</td> </tr> <tr> <td>48X84</td> <td>Set (1) 48 and (2) 84"</td> </tr> <tr> <td>72X84</td> <td>Set (1) 72 and (2) 84"</td> </tr> <tr> <td>36</td> <td>36"</td> </tr> <tr> <td>84</td> <td>84"</td> </tr> </table>	36X84	Set (1) 36 and (2) 84"	36X96	Set (1) 36 and (2) 96"	48X84	Set (1) 48 and (2) 84"	72X84	Set (1) 72 and (2) 84"	36	36"	84	84"	<table border="1"> <tr> <td>(None)</td> </tr> <tr> <td>TK TEK screws</td> </tr> </table>	(None)	TK TEK screws
A	Mill aluminum - Std.																										
BLK	Black anodized alum																										
C	Clear anodized alum																										
D	Dark bronze anodized alum																										
36X84	Set (1) 36 and (2) 84"																										
36X96	Set (1) 36 and (2) 96"																										
48X84	Set (1) 48 and (2) 84"																										
72X84	Set (1) 72 and (2) 84"																										
36	36"																										
84	84"																										
(None)																											
TK TEK screws																											

COMMON MODELS

Qty	Model	Description
	WT-807A-36X84	Perimeter Set (1) 36" x (2) 84"
	OTHER	Specify below:

It is the responsibility of the customer to communicate specifications and product performance requirements that are needed for their application. This document is intended to convey potential product configurations and offerings. It is not to be used to imply or represent a specification or rating of finished products shipped. Detailed, specific submittals can be created upon request. It is the responsibility of the customer to specify product accordingly to comply with local laws, codes, and ordinances.

 <p>AIR LOUVERS</p> <p>9702 Newton Ave S. Bloomington, MN 55431 Many Locations Nationwide</p>	<p>800-554-6077</p> <p>sales@activarcpg.com</p> <p>www.activarcpg.com</p>	<p>Distributor:</p>	<p>Project:</p>
		<p>Contractor:</p>	<p>Approved By:</p>
		<p>Date:</p>	<p>Architect:</p>
	<p>Scale: N/A</p>	<p>Pages: 1 of 1</p>	<p>Item #:</p>