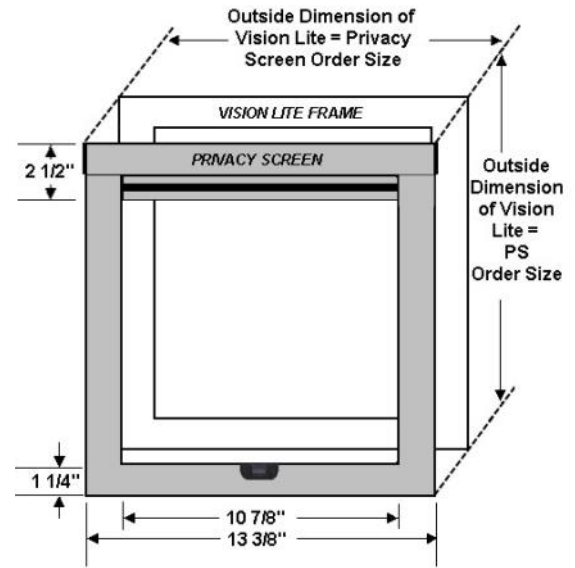
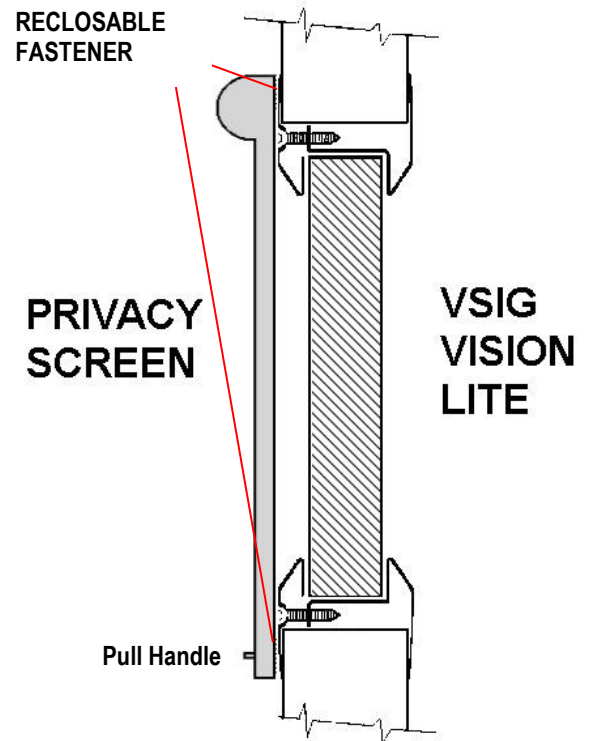


# PRIVACY SCREEN INSTALLATION INSTRUCTIONS

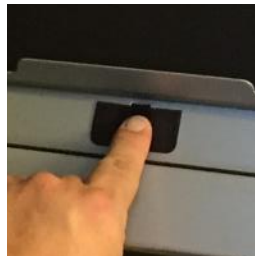
1. For maximum privacy, install on room side of door.
2. Check Privacy Screen to assure that it has been correctly sized. The Privacy Screen should be the same dimension as the outside of the existing vision frame for the most professional-looking installation.
3. A reclosable fastener-type material is provided for mounting to the face of the vision lite. The material will be pre-attached to the back of the Privacy Screen.
4. The vision frame surface to which Privacy Screen will be attached must be clean and oil-free prior to attaching Privacy Screen. It is strongly recommended that the vision frame surface be cleaned using a general household cleaner and dry to ensure proper adhesion.
5. Do not install if the temperature is less than 55° F. The adhesive will not set properly in colder environments.
6. Remove the release liner from the fastener type material on back of the Privacy Screen.
7. Carefully line up Privacy Screen with edges of vision lite and firmly press frame onto the vision lite. Note: adhesive bond of fasteners to vision lite is maximized after 72 hours.
8. Test the screen by pulling down on the pull handle.
9. Reroll screen by pushing the retraction button on the top right of the roller housing. Screen should smoothly and completely retract into the housing.
10. Privacy Screen may be removed by pulling away from fastener at one corner, followed by the rest of the frame. The sound and feel of the fastener is not unlike unzipping a zipper.
11. To reattach, carefully line up Privacy Screen with edges of vision lite and firmly press frame into the fastener type material on the vision lite. You should hear and feel the fasteners "snap" into place. Begin with one side first, and adjacent side next, and so on until done.
12. Adhesive can be removed with WD40 or other adhesive-removing solvent.
13. If crossbar pull handle comes out of tracks on the side, carefully reinsert and line up the two guides on the sides back in the tracks. Press the screen fabric back into track. NOTE: It is important not to allow a portion of the screen fabric to remain outside of the track, or to be wrinkled, for an extended period. As with many fabrics, when left wrinkled or folded a "set" may develop making it difficult to press the screen back into the track later.



**EXAMPLE:**  
 Outside Dimension is 13 3/8" x 13 3/8"  
 Inside Area of Frame  
 will be 10 7/8" W x 9 5/8" H



If Screen is Removed & Re-Applied, engage the 2 strips of fastener type material by Applying Firm Pressure.



Push Button  
 To Retract Screen



## PRIVACY SCREEN INSTALLATION INSTRUCTIONS

© 2019 Activar Construction Products Group, Inc  
 14I-313 REV F

ACPG WEST COAST & MANUFACTURING: COMMERCE, CA HEADQUARTERS & MANUFACTURING: BLOOMINGTON, MN 2/25/2019  
 PH: 800-554-6077 FAX: 952-835-2218 EMAIL: SALES@ACTIVARCPG.COM WWW.ACTIVARCPG.COM  
 ACPG WAREHOUSES: LANCASTER PA, ATLANTA GA, CHICAGO IL, SEATTLE WA, DALLAS TX, FT MYERS FL, FARGO ND, OMAHA NE