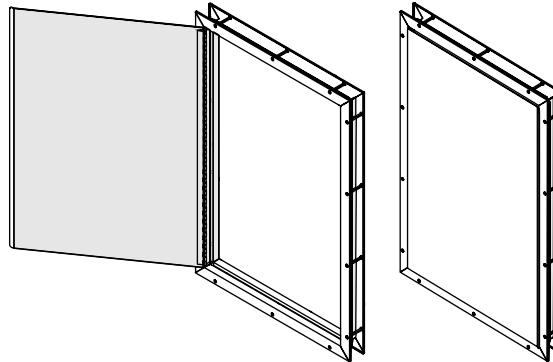
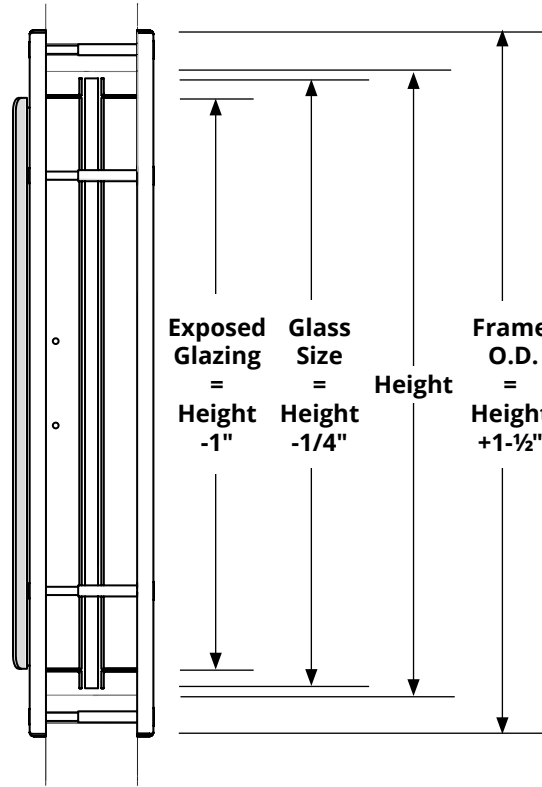
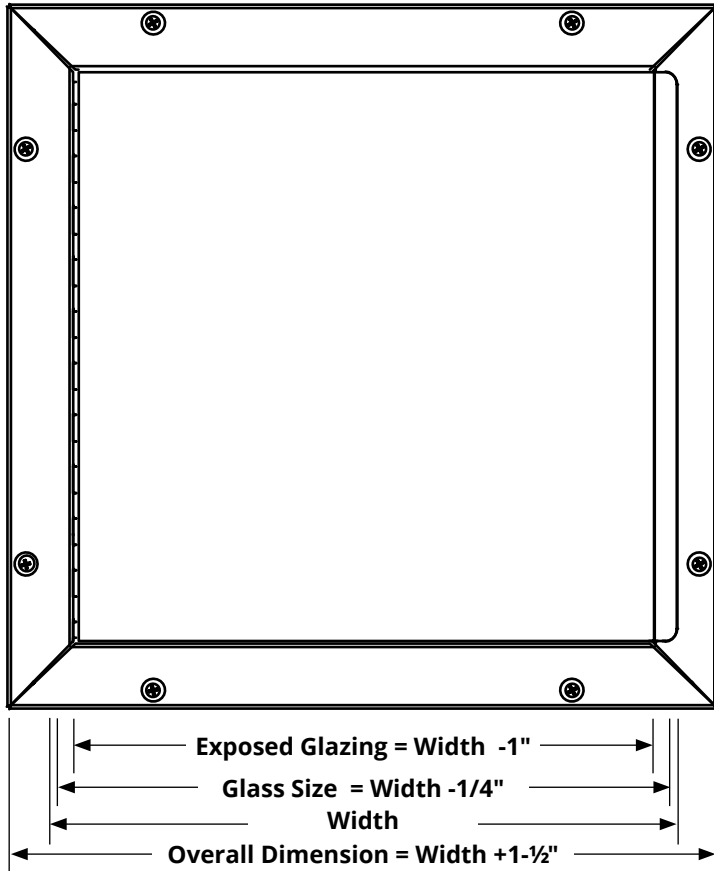


# PRIVACY PRODUCTS - THRUBOLT VISION LITE WITH PRIVACY DOOR - VLFPVC

Thrubolt vision lite with hinged metal privacy door cover. Ideal for institutional use and access monitoring.



## SPECIFICATIONS:

- Frame Material:** 18 Gauge cold rolled steel
- Door Material:** 16 Gauge cold rolled steel
- Hinge:** Exposed, continuous hinge welded to door
- Latch:** Open door using angled door edge pull
- Standard Finish:** Mineral bronze powder coat
- Fasteners:** #8 x 32 flathead phillips thrubolts with blank heads on one side to match finish

### Size:

- Minimum:** 4" x 4"
- Maximum:** 24" x 36"

### Glazing Thickness:

- Glass for VLFPVC:** 3/16" - 1/4"
- Glass for VLFIGPVC:** 5/16" - 1-11/16"

### Door Thickness:

- VLFPVC:** 1-3/4"
- VLFIGPVC:** 1-1/2" - 3"

- PAKS:** Glazing, vision lite, and glazing tape combined
- Other:** Hinge on width side, roller catch, magnetic catch

### Notes:

Door Cutout Opening = Order size (W x H)  
 Glazing Size = Order size minus 1/4" (W - 1/4" x H - 1/4")  
 Exposed Glazing = Order size minus 1" (W - 1" x H - 1")

**This is not a fire-rated product; fire-rated PAKS not available.**

## COMMON SIZES THRUBOLT PRIVACY DOOR VISION LITE

QTY	MODEL	OPENING SIZE W X H
	VLFPVC 1212B	12" x 12"
	VLFPVC 0535B	5" x 35"
	VLFPVC 0627B	6" x 27"
	VLFPVC 0722B	7" x 22"
	VLFPVC 0832B	8" x 32"



9702 Newton Ave S. Bloomington, MN 55431 | Many Locations Nationwide

800-554-6077  
 sales@activarcpg.com  
 www.activarcpg.com

Distributor:	Project:
Contractor:	Approved By:
Date:	Architect:
Scale: N/A	Pages: 1 of 2
	Part #:

**PRIVACY PRODUCTS - THRUBOLT VISION LITE WITH PRIVACY DOOR - VLFVVC**

**VLFVVC: MADE-TO-ORDER THRUBOLT PRIVACY DOOR VISION LITE - EXAMPLE: VLFVVC 0522B TEMP PAK**

QTY	MODEL	(FITS GLAZING THICKNESS)	MATERIAL	WIDTH	HEIGHT	FINISH	(PAK GLAZING)	-	OPTIONS
	<b>VLFVVC</b>	Up to 1/4" Glazing	(None) Cold Rolled Steel (Std)			<b>B</b> (Bronze - Std)	(None)		(None)
			<b>E</b> (Zinc-Plated Steel)			<b>AB</b> (AMS Beige)	<b>*TEMP PAK</b> (1/4" Tempered)		<b>RC</b> (Roller Catch)
						<b>SB</b> (SC Beige)	*Fire-rated PAKS not available		<b>HW</b> (Hinge on Width Side)
						<b>S</b> (Sand)			<b>MC</b> (Magnetic Catch) PN 140003-4
						<b>G</b> (Gray)			
						<b>SI</b> (Silver)			
						<b>W</b> (White)			
						<b>BK</b> (Black)			
						<b>FB</b> (Flat Black)			
						<b>BA</b> (Brass)			

**VLFVVC: MADE-TO-ORDER THRUBOLT PRIVACY DOOR VISION LITE - EXAMPLE 1: VLFVVC 1212B 516 0138D;  
EXAMPLE 2: VLFVVC 1212B 0112D TEMP PAK**

QTY	MODEL	(FITS GLAZING THICKNESS)	MATERIAL	WIDTH	HEIGHT	FINISH	GLASS THICKNESS*	DOOR THICKNESS	(PAK GLAZING)	-	OPTIONS
	<b>VLFVVC</b>	5/16" to 1-11/16" Glazing or non std. door thickness	(None) Cold Rolled Steel (Std)			<b>B</b> (Bronze - Std)	<b>516</b> 5/16"	<b>(Std.)</b> 1-3/4"	(None)		(None)
			<b>E</b> (Zinc-Plated Steel)			<b>AB</b> (AMS Beige)	<b>12</b> 1/2"	<b>0138D</b> 1-3/8"	<b>*TEMP PAK</b> (1/4" Tempered)		<b>HW</b> (Hinge on Width Side)
						<b>SB</b> (SC Beige)	<b>38</b> 3/8"	<b>0112D</b> 1-1/2"	*Fire-rated PAKS not available		<b>MC</b> (Magnetic Catch) PN 140004-4
						<b>S</b> (Sand)	<b>01</b> 1"	<b>02D</b> 2"			
						<b>G</b> (Gray)	<b>Other</b>	<b>Other</b>			
						<b>SI</b> (Silver)	*Not needed for PAKS				
						<b>W</b> (White)					
						<b>BK</b> (Black)					
						<b>FB</b> (Flat Black)					
						<b>BA</b> (Brass)					

*Continue down for more options*