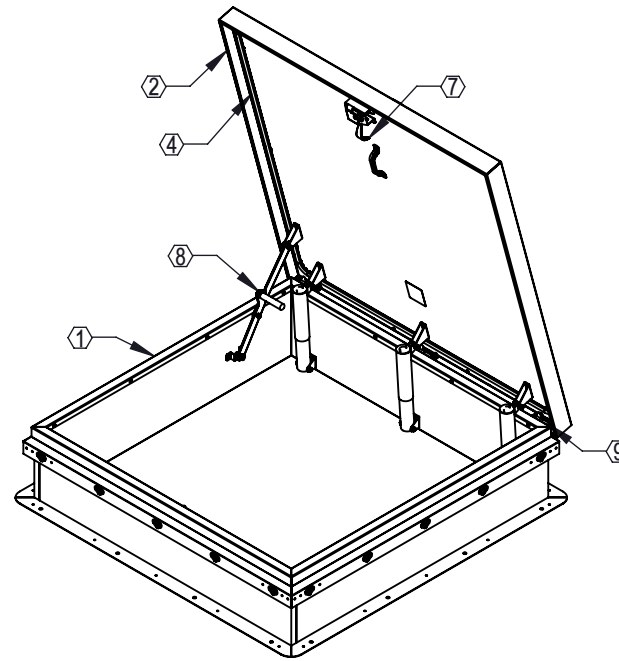
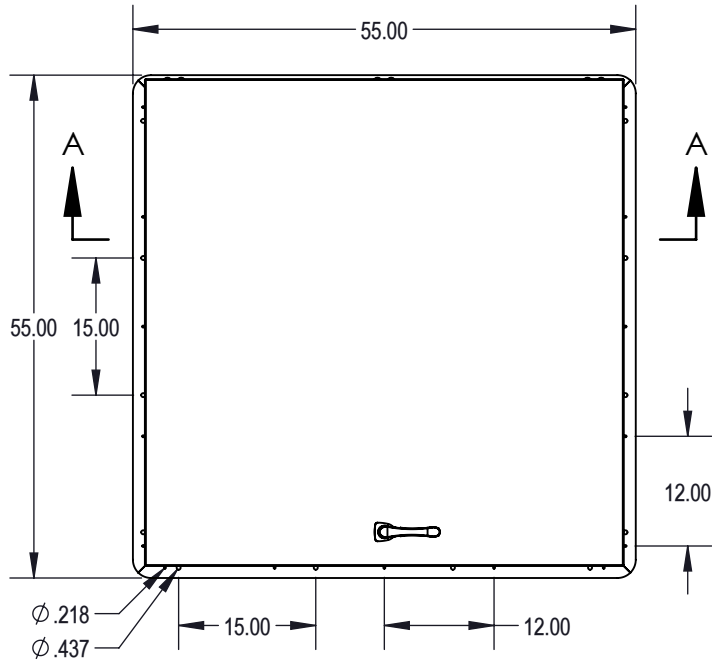


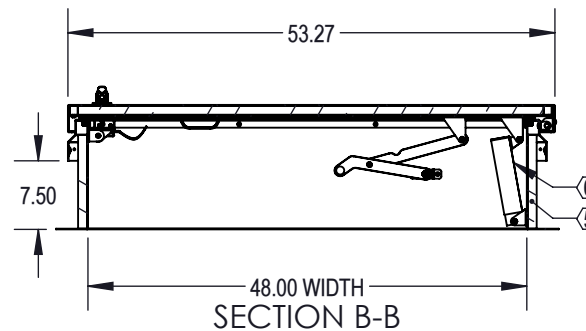
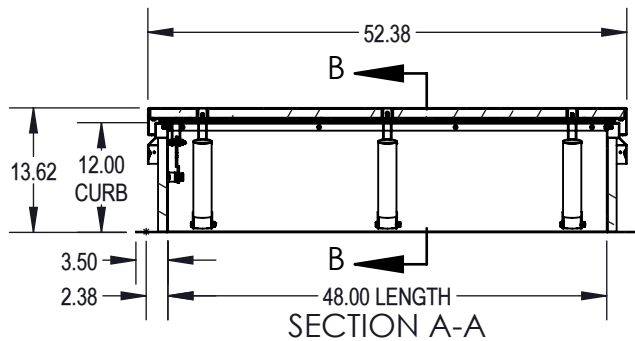
ROOF HATCH - Diamond Series™ - ROOF HATCH, DIAMOND SERIES 48 X 48 (RHG-5) | GALV STEEL, WHITE TEXTURED



SPECIFICATIONS:

1. Curb: 14 gauge galvanized steel single wall curb and counterflashing with Diamond Grip.
 2. Cover: 14 gauge galvanized steel formed, welded cover with 22 gauge liner, tested to support a live load of 40psf.
 3. Finish: White, textured powder coat paint.
 4. Gasket: Continuous, weatherproof EPDM sponge rubber adhesive-backed seal.
 5. Insulation: 1" polyisocyanurate in curb and cover with thermal resistance R-6.
 6. Spring: Counterbalanced compression springs contained in clear zinc-plated steel cylinders.
 7. Latch: Clear zinc-plated steel slam latch with inside and outside handles and padlock hasps. Tested to 50psf wind uplift.
 8. Hold Open Arm: Clear zinc-plated automatic locking hold open arm with red vinyl grip for one handed door operation.
 9. Hinge: Heavy duty clear zinc-plated steel pintle hinge.
- Notes:
 For pitched roofs up to 7:12, mount hinge side parallel to slope.
 Door opens 75°
 Clear Opening: 37" X 42"
 Weight: 233lbs

Diamond Series™ is a trademark of Activar Construction Products Group Inc.



MODEL #: RHDG-5WT



800-554-6077
 sales@activarcpg.com
 www.activarcpg.com

9702 Newton Ave S. Bloomington, MN 55431 | Many Locations Nationwide

Distributor:		Project:
Contractor:		Approved By:
Date:	Quantity:	Architect:
Scale: 1:21	Pages: 1 OF 1	Drawing #: RHDG-5WT-SUBMITTAL