

GENERAL:

The following guide provides instructions to install a Hold Open Arm Kit RHGI-A003 (Figure 1) onto the RHGI/RHAI Series roof hatches (Figure 2).

Caution: Be sure to follow proper fall protection procedures when working on the rooftop.

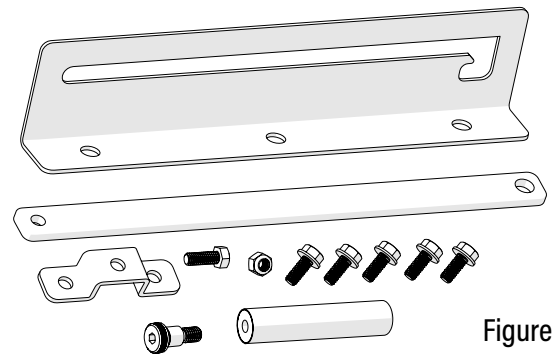


Figure 1

INSTALLATION:

1. Bolt on the slotted mounting bracket to the cover with three 5/16" hex bolts using socket. Make sure to reuse the existing holes that are already in the roof hatch cover. The bracket must get installed into the stiffeners behind the thin metal liner. Reference Figure 3.
2. Bolt the hold open long bar to the hat bracket.
3. Bolt the hat bracket to the curb. Reference Figure 4.
4. Insert the shoulder bolt into the flat bar as shown in Figure 5.
5. Place the bolt through the slotted slider bracket on the cover, as shown in Figure 6.
6. Screw the red grip handle onto the should bolt, so that it is tight. Reference Figure 7.

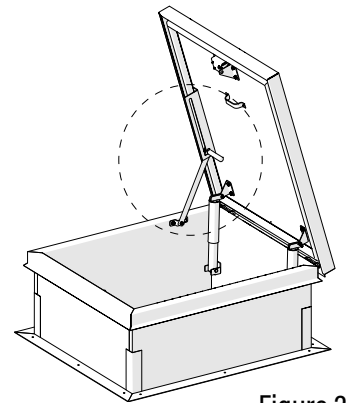


Figure 2

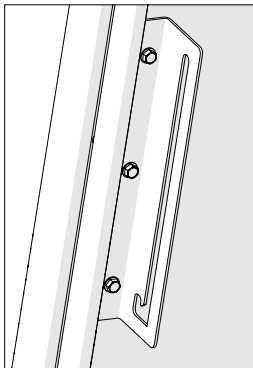


Figure 3

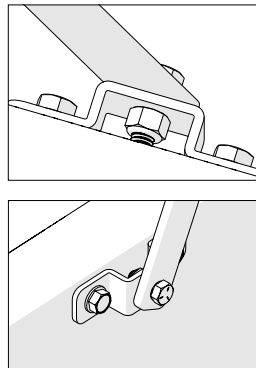


Figure 4

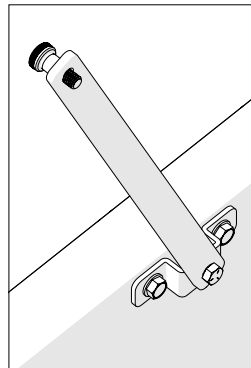


Figure 5

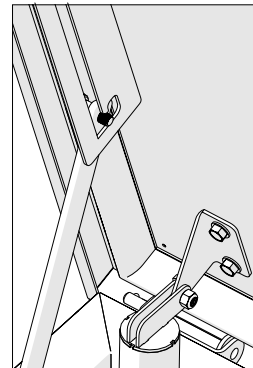


Figure 6

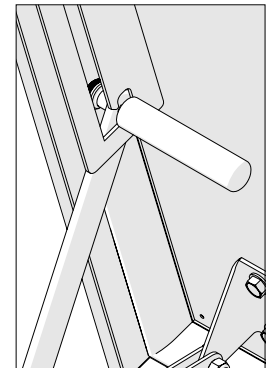


Figure 7

OPERATION:

Operate to verify functionality

1. Fully open the lid to ensure that the hold open arm slides freely in the bracket and locks when in the upright position.
2. To close the lid, pull the red handle forward, while pressing the lid back to disengage the hold open arm.
3. Close the cover and verify that there is no gap between the cover gasket and the top of the curb.