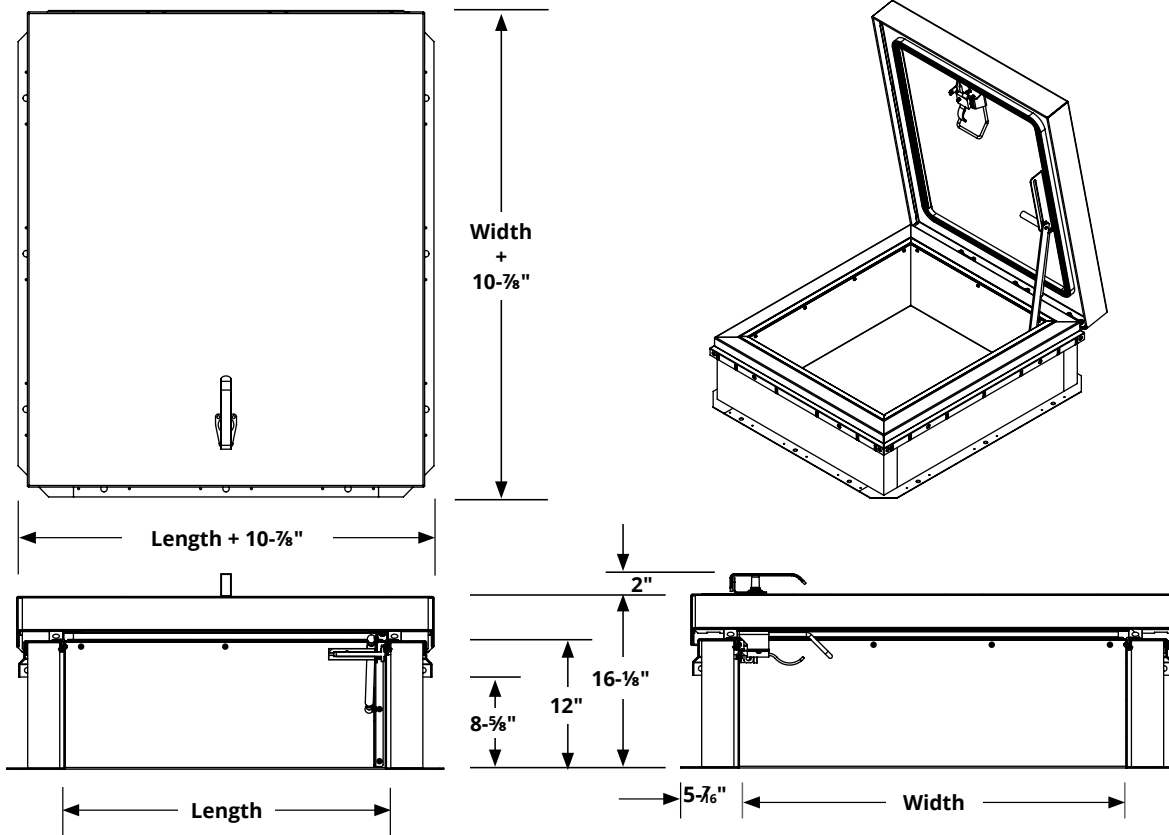


ROOF ACCESSORIES - THERMALBLOCK SERIES - Thermally Broken Roof Hatch - RHTB

The ThermalBlock thermally broken roof hatch provides superior energy efficiency with R-20 insulation in both curb and cover which reduces condensation and building energy costs.

LADDER ACCESS



SPECIFICATIONS:

Material: 11 gauge aluminum

Standard Finish: Mill

Curb: Thermally broken single wall curb and counterflashing with tabs.

Cover: Thermally broken cover stiffened to support a live load of 40psf.

Gasket: Continuous, weatherproof EPDM sponge rubber adhesive-backed seal

Insulation: 3" polyisocyanurate in curb and cover with thermal resistance R-20

Spring: Gas spring with integrated damper for smooth, controlled lift assistance.

Latch: Zinc-plated steel slam latch with inside and outside handles and padlock hasps; 20psf wind uplift

Hold Open Arm: Zinc-plated steel automatic hold open arm locks cover in open position.

Hinge: Heavy duty zinc-plated steel pintle hinge.

Sizing: Minimum: 26" x 24", Maximum: 48" x 120"

Clear opening: (Width - 8") x (Length - 1/2")

OPTIONS:

Optional Construction: Double wall curb, curb heights from 13" to 20.

Optional Hardware: Stainless steel hardware for hatches up to 60".

NOTE:

For pitched roofs up to 7:12, mount hinge side parallel to slope. Door opens 80°.

ACCESSORIES SOLD SEPARATELY:

Bolt-on safety railing (RSHWB-XXY-TB)

STANDARD RHTBA

QTY	MODEL	W X L	ACCESS	WEIGHT
	RHTBA-1	36"x 30"	Ladder	107 lbs
	RHTBA-2	30"x 54"	Stair	128 lbs
	RHTBA-3	30"x 96"	Stair	172 lbs
	RHTBA-4	36"x 36"	Ladder	145 lbs
	RHTBA-5	48"x 48"	Ladder	235 lbs



800-554-6077

sales@activarcpg.com

www.activarcpg.com

Distributor:

Contractor:

Date:

Project:

Approved By:

Architect:

CANADA ONLY: 604-433-4243 info@maxammetal.com maxammetal.com

Scale: N/A

Pages: 1 of 2

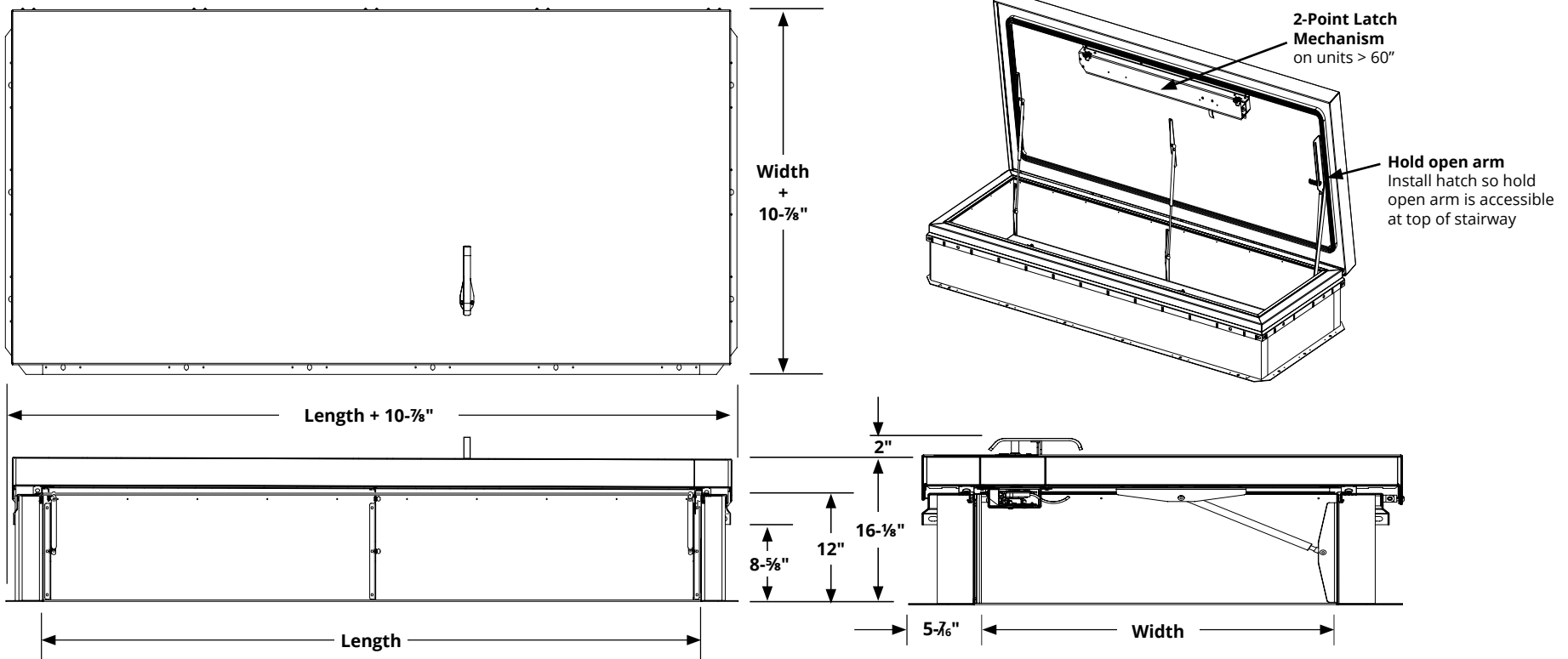
Item #:

ROOF ACCESSORIES - THERMALBLOCK SERIES - Thermally Broken Roof Hatch - RHTB

MADE-TO-ORDER RHTB

QTY	MODEL	MATERIAL	SIZES (W x L)	FINISH	CURB OPTIONS
<input type="text"/>	RHTB	A (Aluminum)	1 (36" x 30")	(Mill)	(Single Wall Curb)
			2 (30" x 54")		CD (Double Wall Curb)
			3 (30" x 96")		Hxx Optional Curb Height - Enter Size Below
			4 (36" x 36")		Specify Curb Height from 13" to 20"
			5 (48" x 48")		SS Stainless steel hardware for hatches up to 60"
			WIDTH		
			LENGTH		

STAIR ACCESS



It is the responsibility of the customer to communicate specifications and product performance requirements that are needed for their application. This document is intended to convey potential product configurations and offerings. It is not to be used to imply or represent a specification or rating, of finished products shipped. Detailed, specific submittals can be created upon request. It is the responsibility of the customer to specify product accordingly to comply with local laws, codes, and ordinances.