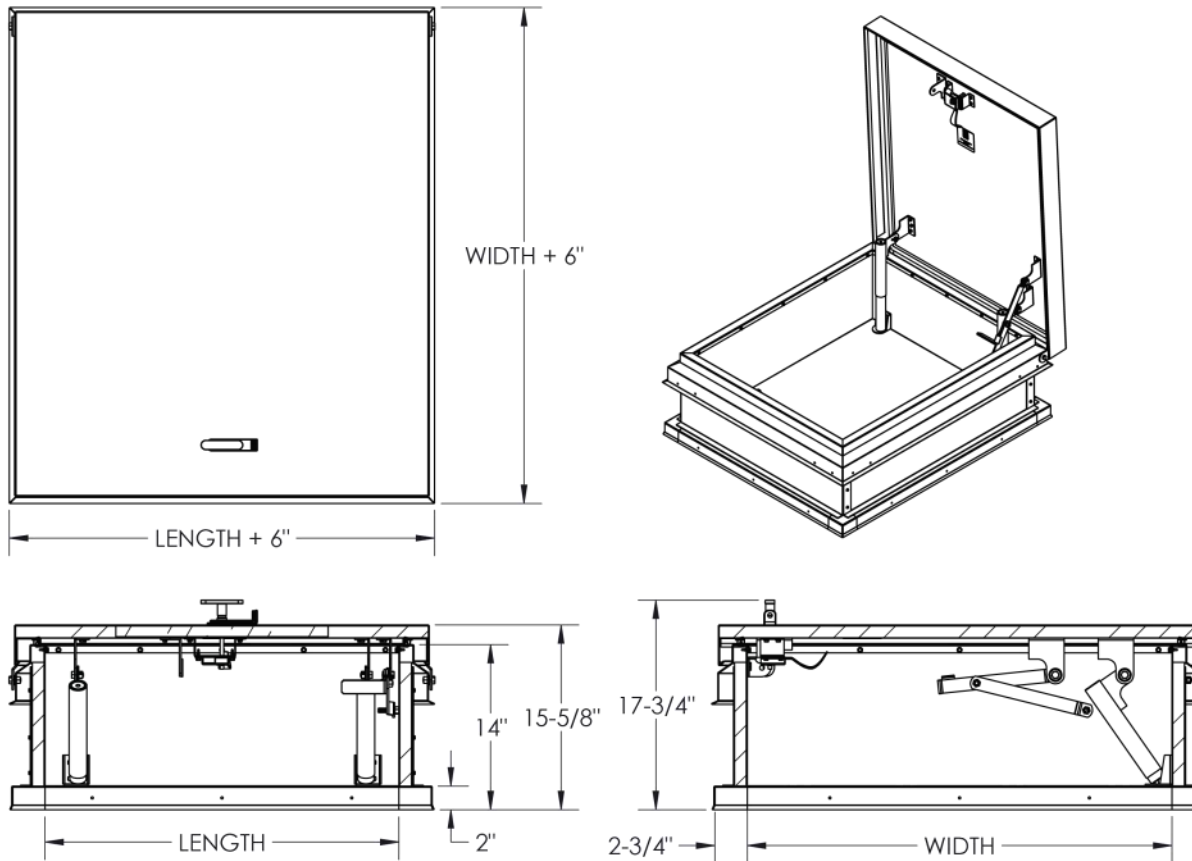


## ROOF ACCESSORIES— DURA-HATCH SERIES™ CURB-MOUNT - RHU

The Dur-Red roof hatch provides single-handed opening and closing for safe and easy access to rooftops from either ladders or stairs. Polyisocyanurate insulation in the cover and on the curb give you an energy-saving upgrade from our previous model. Galvanneal construction with a durable factory powder coat finish does not need to be painted in the field. This curb-mount version has a 2-3/4" wide flange to fit onto an existing curb.



### SPECIFICATIONS:

**Material:** Steel- 14 gauge galvanneal steel curb and cover with 22 gauge galvanneal steel curb and cover liner.

Aluminum—11 gauge aluminum curb and cover with 18 gauge aluminum cover liner

**Finish:** Powder coat gray texture on steel, powder coat silver texture on aluminum

**Curb Mount Flange:** 2-3/4" wide

**Gasket:** Weatherproof EPDM sponge rubber adhesive-backed seal

**Insulation:** 1" polyisocyanurate (R-6) on curb and in cover

**Hinges:** Heavy duty galvannealed steel or aluminum hinge with bolt pin

**Hold-Open Arm:** Clear zinc plated steel hold-open arm

**Latch:** Zinc plated steel single slam latch, or two point universal spring latch spring assembly for larger sizes

**Springs:** Pressure intensifiers with compression spring provide lift assistance

**Sizes:** Minimum 24" x 24", Maximum: 48" x 120". (W x L where L is the hinged side)


**Order Size = Curb Opening**

### ACCESSORIES SOLD SEPARATELY:

\_\_\_ Safety Post, Safety Yellow (LP-4)

\_\_\_ Safety Railing (RSRWB)

It is the responsibility of the customer to communicate specifications and product performance requirements that are needed for their application. This document is intended to convey potential product configurations and offerings. It is not to be used to imply or represent a specification or rating, of finished products shipped. Detailed, specific submittals can be created upon request. It is the responsibility of the customer to specify product accordingly to comply with local laws, codes, and ordinances.

 <b>DUR-RED PRODUCTS</b> 9702 Newton Av S, Bloomington MN 55431 Many Locations Nationwide	800-554-6077 sales@activarcpg.com www.activarcpg.com	<b>Distributor:</b> <b>Contractor:</b> <b>Date:</b> Scale: N/A	<b>Project:</b> <b>Approved By:</b> <b>Architect:</b> Item #	
	800-554-6077 sales@activarcpg.com www.activarcpg.com	Scale: N/A	Pages: 1 of 2	
	9702 Newton Av S, Bloomington MN 55431 Many Locations Nationwide	Scale: N/A	Pages: 1 of 2	
	9702 Newton Av S, Bloomington MN 55431 Many Locations Nationwide	Scale: N/A	Pages: 1 of 2	

**COMMON SIZES—RHU**

QTY	WIDTH X LENGTH	MODEL	PRIOR DUR-RED MODEL	MATERIAL	LATCH	TYPE
	30" x 30"	RHUA-3030ST-CM	LHA-3030	Aluminum	Single	Ladder
	36" x 30"	RHUA-1ST-CM	LHA-3036	Aluminum	Single	Ladder
	30" x 54"	RHUA-2ST-CM	LHA-3054	Aluminum	Single	Stair
	36" x 36"	RHUA-4ST-CM	LHA-3636	Aluminum	Single	Ladder
	48" x 48"	RHUA-5ST-CM	SSHA-4848	Aluminum	Single	Ladder
	30" x 30"	RHUG-3030GT-CM	LHG-3030	Galvanneal Steel	Single	Ladder
	36" x 30"	RHUG-1GT-CM	LHG-3036	Galvanneal Steel	Single	Ladder
	30" x 54"	RHUG-2GT-CM	LHG-3054	Galvanneal Steel	Single	Stair
	36" x 36"	RHUG-4GT-CM	LHG-3636	Galvanneal Steel	Single	Ladder
	48" x 48"	RHUG-5GT-CM	SSHG-4848	Galvanneal Steel	Single	Ladder
	30" x 72"	RHUA-3072ST-CM	NSHA-3072	Aluminum	Double	Stair
	36" x 72"	RHUA-3672ST-CM	NSHA-3672	Aluminum	Double	Stair
	30" x 96"	RHUA-3ST-CM	NSHA-3096	Aluminum	Double	Stair
	36" x 96"	RHUA-3696ST-CM	NSHA-3696	Aluminum	Double	Stair
	48" x 96"	RHUA-4896ST-CM	NSHA-4896	Aluminum	Double	Stair
	48" x 120"	RHUA-48120ST-CM	NSHA-48120	Aluminum	Double	Stair
	30" x 72"	RHUG-3072GT-CM	NSHG-3072	Galvanneal Steel	Double	Stair
	36" x 72"	RHUG-3672GT-CM	NSHG-3672	Galvanneal Steel	Double	Stair
	30" x 96"	RHUG-3GT-CM	NSHG-3096	Galvanneal Steel	Double	Stair
	36" x 96"	RHUGA-3696ST-CM	NSHGA-3696	Galvanneal Steel Curb & Aluminum Cover	Double	Stair
	48" x 96"	RHUGA-4896ST-CM	NSHGA-4896	Galvanneal Steel Curb & Aluminum Cover	Double	Stair
	48" x 120"	RHUGA-48120ST-CM	NSHGA-48120	Galvanneal Steel Curb & Aluminum Cover	Double	Stair

**MADE-TO-ORDER RHU: EXAMPLE—RHUA-3640ST-IT**

<b>RHU</b>	<b>MATERIAL</b>	<b>WIDTH</b>	<b>LENGTH</b>	<b>FINISH</b>	<b>OPTIONS</b>
<input type="checkbox"/>	<b>G</b> Galvanneal	<input type="text"/>	<input type="text"/>	<input type="checkbox"/>	<input checked="" type="checkbox"/> <b>CM</b> Curb Mount
<input type="checkbox"/>	<b>A</b> Aluminum	<input type="text"/>	<input type="text"/>	<input type="checkbox"/>	<input type="checkbox"/> <b>IT</b> 2" Polyiso Insulated Curb
<input type="checkbox"/>	<b>GA</b> Steel Curb, Aluminum Cover	<input type="text"/>	<input type="text"/>	<input type="checkbox"/>	<input type="checkbox"/> <b>IW</b> 1" x 6" Wood Nailer Top/Polyiso Bottom of Curb
				<input type="checkbox"/>	<input type="checkbox"/> <b>RR</b> Safety Railing Ready
				<input type="checkbox"/>	<input type="checkbox"/> <b>SS</b> Stainless Hardware
				<input type="checkbox"/>	
				<input type="checkbox"/>	
				<input type="checkbox"/>	
				<input type="checkbox"/>	
				<input type="checkbox"/>	