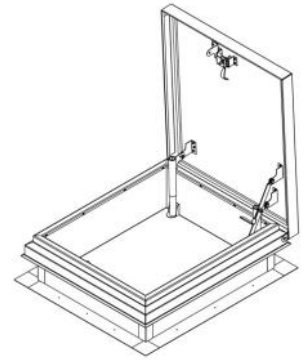


DURA-HATCH™ SERIES ROOF HATCH (RHU)

INSTALLATION AND MAINTENANCE GUIDE | 14I-411

GENERAL:

Roof hatches are designed for safe and easy access to rooftops using interior ladders and stairways. The following guide suggests recommendations; please install according to local building codes. For fixed vertical ladders, position roof hatch so the hinged side is opposite of the ladder at the back side of the climber. For stairways, position the roof hatch so the hold-open arm is at the head of the stairway. The hinged side runs parallel to the stairway.



When mounting roof hatch on pitched roofs up to 7:12, mount hinge side parallel to slope.

Caution: Roof hatch cover is spring loaded. Make sure hatch is in horizontal position prior to opening cover.

INSTALLATION:

1. Prepare opening through roof deck of width and length as specified by details on submittal drawing. The roof opening size is equal to the roof hatch size, which is measured inside curb to inside curb. A ladder access roof hatch that measures 36" width (hinge to latch) x 30" length (hinge side), will have a roof rough opening of 36"x30".
2. Opening must be positioned so as to not impair structural integrity of roof. Supporting structure must withstand lateral and thermal stresses as well as load pressures. Check that the frame rests flat on plane and is not twisted or uneven. Shim if required, to ensure proper operation.
4. Secure the curb flange to steel angle or other framed opening in the roof using fasteners (by others) through the 0.19" mounting holes provided in the base flange. Recommended fasteners are #10 screws, when securing to a wood frame. For larger bolts, drill larger mounting holes through the metal flange.
5. Complete the roofing installation in accordance with local building codes and accepted roofing industry practices.
6. Remove steel safety bands from door sides.



CAUTION: Doors are spring loaded and may pop open, if latches moved during shipping. See strap location on photo at right.

OPERATION:

Caution: Make sure to consider weather conditions prior to using the roof hatch. Use caution at all times, especially when hatch cover is open.

1. Opening from below: Turn slam latch handle and, with one hand, raise cover to full open position while maintaining three points of contact with the ladder.
2. Closing from below: With door open fully open, descend ladder or stair to a position where your head is at the curb level. With one hand, grasp the red vinyl grip handle on the hold open arm and pull forward to disengage. Then, grasp the pull handle to fully close the cover, making sure slam latch engages the catch.
3. Opening from above: Rotate the exterior L turn handle and raise cover to full open position.
4. Closing from above: Grasp red vinyl grip of the hold open arm and pull to disengage, then push on the handle or edge of the cover to fully close and latch door



DUR-RED PRODUCTS



800-554-6077



sales@activarcpg.com



www.activarcpg.com

INSTALLATION AND MAINTENANCE GUIDE

14I-411

Page 1 of 2

9702 Newton Av S. Bloomington, MN 55431 | Many Locations Nationwide

© 2023 Activar Construction Products Group, Inc.

The information contained in this document is the sole property of Activar Construction Products Group, Inc. Any reproduction in part or as a whole without the written permission of Activar Construction Products Group, Inc. is prohibited.

REV C – MAY 17, 2023

DURA-HATCH™ SERIES ROOF HATCH (RHU)

INSTALLATION AND MAINTENANCE GUIDE | 14I-411

MAINTENANCE:

1. Manually operate once a year to check functionality of moving parts such as latches, hinges and turn handles.
2. Test outside and inside manual operation of latches. Rotate exterior handle from exterior to release slam latch and open door. From inside, rotate the slam latch lever. Adjust (if required) latch keepers to insure full secure latching in closed position.
3. Periodically clean latches and strikes of old grease and dirt using a clean dry cloth. Reapply lubrication as needed.
4. For domed covers, clean with a mild soap and water solution, when necessary. Do not use abrasive cleaners or cleaning cloths. Fine scratches may be minimized/removed by using an automobile cleaner/polish. Test a small section first to verify results.

Powder Coat Paint Recoating Suggestions—Dura-Hatches come standard with a durable powder coat finish.

1. Abrade the entire paint surface with an abrasive pad or sandpaper to a dull sheen to ensure the topcoat sticks.
2. It is recommended that all parts be cleaned well, before any paint is applied in the field. After abrading the surface, the parts should be wiped with an alcohol-based product which will clean and help reopen the surface for the best adhesion of the topcoat. Be sure to read the product directions prior to use.
3. Use a high-quality paint that is suitable for metal.

Prime Coat Repainting Suggestions:

1. Clean or scuff primed surface to remove any grease or contamination present on surface.
2. Solvent wipe with acetone or similar solvent to improve intercoat adhesion.
3. If solvent wiping is impractical, lightly scuff sand and remove all dusts that may inhibit adhesion.
4. Topcoat with high quality 100% acrylic latex or oil-based coatings. Primed surface will also accept coatings with strong solvents such as 2K polyurethanes when cure.

Note: Activar Construction Products Group, Inc. cannot accept liability for performance of specific brands of paint.

REPLACEMENT PARTS:

RULES -

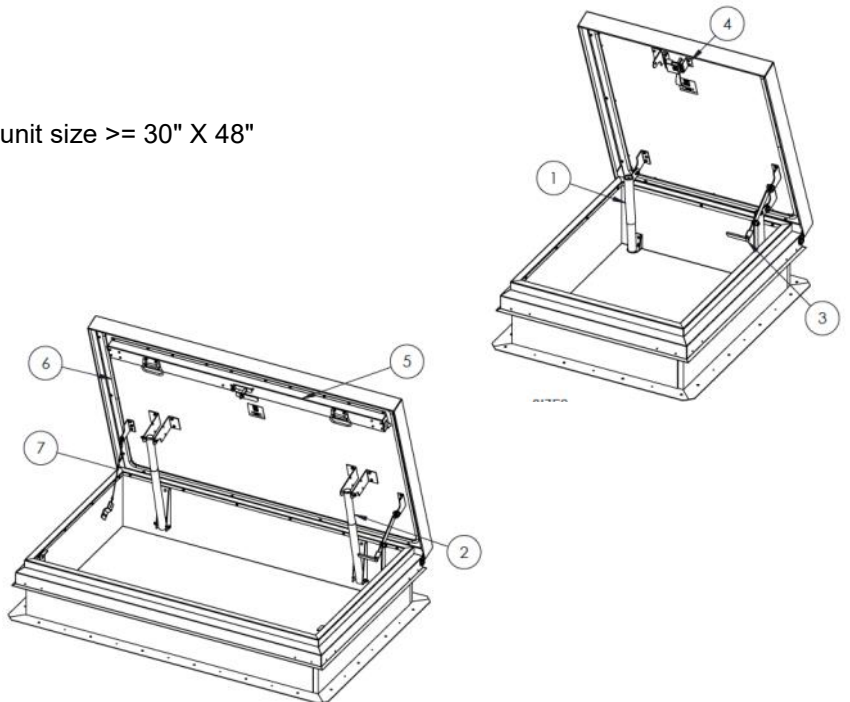
9" Pressure intensifier: Unit size $\leq 42" \times 36"$

15" Pressure intensifier: Unit size $> 42" \times 36"$ or unit size $\geq 30" \times 48"$

One point latch: Unit length $\leq 54"$

Two point latch: Unit length $> 54"$

| NO | PART NUMBER | DESCRIPTION |
|----|----------------|------------------------------|
| 1 | DR-KIT-PI-9 | KIT—9" Pressure Intensifier |
| 2 | DR-KIT-PI-15 | KIT—15" Pressure Intensifier |
| 3 | DR-KIT-HOA | KIT—Hold Open Arm |
| 4 | DR-KIT-1PL | KIT—One Point Latch |
| 5 | DR-KIT-2PL-XXX | KIT—XX" Two Point Latch |
| 6 | DR-KIT-GSKT-12 | KIT—Gasket |
| 7 | DR-KIT-SC | KIT—Stop Cable |



DUR-RED PRODUCTS



800-554-6077



sales@activarcpg.com



www.activarcpg.com

INSTALLATION AND MAINTENANCE GUIDE

14I-411

Page 2 of 2

9702 Newton Av S. Bloomington, MN 55431 | Many Locations Nationwide

© 2023 Activar Construction Products Group, Inc.

The information contained in this document is the sole property of Activar Construction Products Group, Inc. Any reproduction in part or as a whole without the written permission of Activar Construction Products Group, Inc. is prohibited.

REV.C – MAY 17, 2023