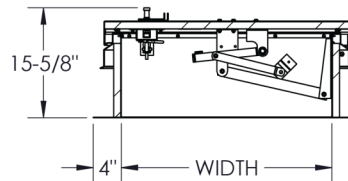
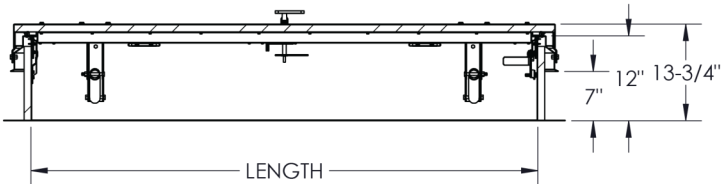
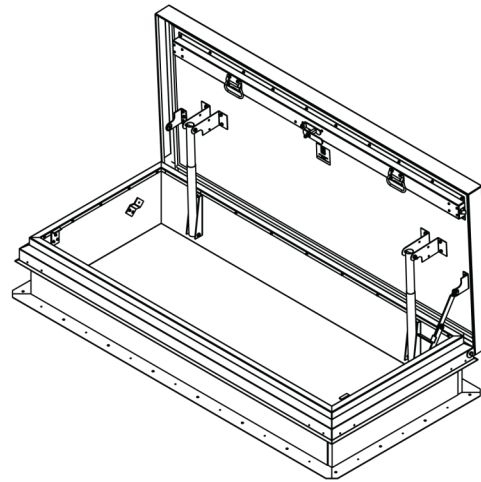
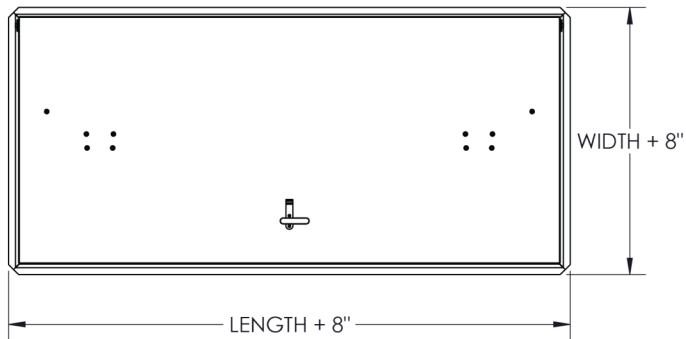


ROOF ACCESSORIES—DURA-HATCH SERIES™ WITH TWO POINT LATCH - RHU

A weather-resistant roof hatch that provides safe and easy access to rooftops from stairs. Multiple latches for these larger sizes provides a consistent seal around the hatch and are operated by a single handle. R6 value insulation helps to keep energy costs down, and our new galvanized construction with factory powder coat paint provides an even more durable finish than before.




SPECIFICATIONS:

- Material:** Steel- 14 gauge galvanized steel curb and cover with 22 gauge galvanized steel cover liner. Aluminum—11 gauge aluminum curb and cover with 18 gauge aluminum cover liner.
- Finish:** Powder coat gray texture on steel, powder coat silver texture on aluminum
- Gasket:** Weatherproof EPDM sponge rubber adhesive-backed seal
- Insulation:** 1" polyisocyanurate (R-6) on curb and in cover
- Hinges:** Heavy-duty galvanized steel or aluminum hinge with bolt pin
- Hold-Open Arm:** Clear zinc-plated steel hold-open arm
- Latch:** Two point universal spring latch spring assembly
- Springs:** Pressure intensifiers with compression springs provide lift assistance. >96" lengths use adjustable torsion springs
- Sizes:** Minimum 24" x 55", Maximum: 48" x 120". (W x L where L is the hinged side)
For smaller sizes see Dura-Hatch Single Point Latch—RHU
- Order Size = Curb Opening**

ACCESSORIES SOLD SEPARATELY:

- ___ Safety Railing (RSRWB)

 <p>DUR-RED PRODUCTS 9702 Newton Av S, Bloomington MN 55431 Many Locations Nationwide</p>	<p>800-554-6077 sales@activarcpg.com www.activarcpg.com</p>	<p>Distributor:</p>	<p>Project:</p>	
	<p>800-554-6077</p>	<p>Contractor:</p>	<p>Approved By:</p>	
	<p>800-554-6077</p>	<p>Date:</p>	<p>Quantity:</p>	<p>Architect:</p>
	<p>800-554-6077</p>	<p>Scale: N/A</p>	<p>Pages: 1 of 2</p>	<p>Item #</p>

COMMON SIZES—RHU

QTY	SIZE WIDTH X LENGTH	MODEL	PRIOR DUR-RED MODEL	MATERIAL	TYPE
	30" x 72"	RHUA-3072ST	NSHA-3072	Aluminum	Stair
	36" x 72"	RHUA-3672ST	NSHA-3672	Aluminum	Stair
	30" x 96"	RHUA-3ST	NSHA-3096	Aluminum	Stair
	36" x 96"	RHUA-3696ST	NSHA-3696	Aluminum	Stair
	48" x 96"	RHUA-4896ST	NSHA-4896	Aluminum	Stair
	48" x 120"	RHUA-48120ST	NSHA-48120	Aluminum	Stair
	30" x 72"	RHUG-3072GT	NSHG-3072	Galvanneal Steel	Stair
	36" x 72"	RHUG-3672GT	NSHG-3672	Galvanneal Steel	Stair
	30" x 96"	RHUG-3GT	NSHG-3096	Galvanneal Steel	Stair
	36" x 96"	RHUGA-3696ST	NSHGA-3696	Galvanneal Steel Curb & Aluminum Cover	Stair
	48" x 96"	RHUGA-4896ST	NSHGA-4896	Galvanneal Steel Curb & Aluminum Cover	Stair
	48" x 120"	RHUGA-48120ST	NSHGA-48120	Galvanneal Steel Curb & Aluminum Cover	Stair

MADE-TO-ORDER RHU: EXAMPLE—RHUGA-48100ST-IT

RHU	MATERIAL	- WIDTH LENGTH	FINISH	-	OPTIONS
<input type="checkbox"/>	G Galvanneal	<input type="checkbox"/>	GT Powder Coat Gray Texture (Std for RHUG)	<input type="checkbox"/>	ABC All But Curb™
<input type="checkbox"/>	A Aluminum	<input type="checkbox"/>	ST Powder Coat Silver Texture (Std for RHUA, RHUGA)	<input type="checkbox"/>	CD Double Wall Curb
<input type="checkbox"/>	GA Steel Curb, Aluminum Cover	<input type="checkbox"/>		<input type="checkbox"/>	CM Curb Mount
				<input type="checkbox"/>	H18 18" High Curb
				<input type="checkbox"/>	IT 2" Polyiso Curb
				<input type="checkbox"/>	IW 1" x 6" Wood Nailer Top/Polyiso Bottom of Curb
				<input type="checkbox"/>	RR Safety Railing Ready
				<input type="checkbox"/>	SS Stainless Hardware

See separate submittals for details on the **ABC** or **CM** Options