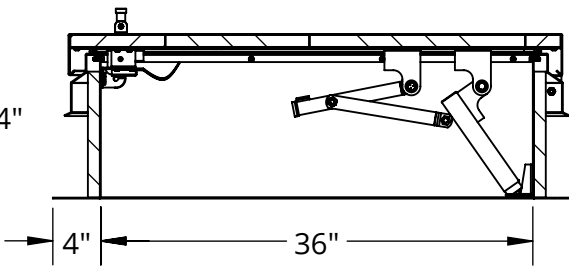
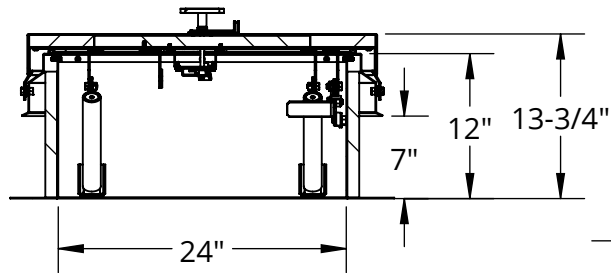
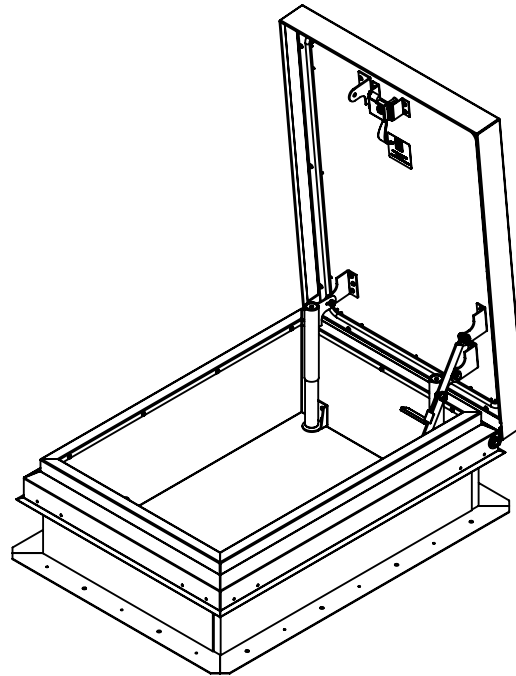
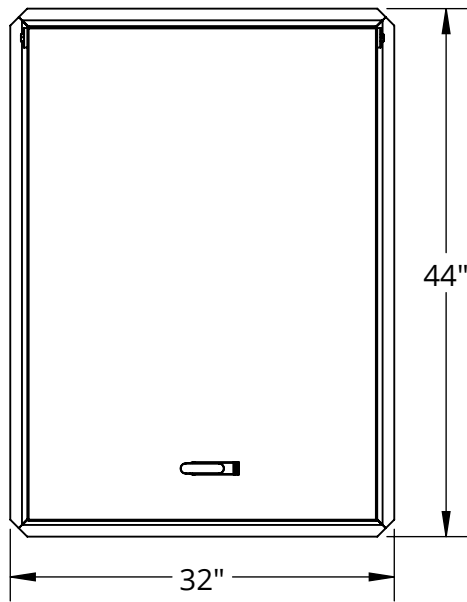


ROOF ACCESSORIES - DURA-HATCH™ WITH SINGLE POINT LATCH - RHU

The Dur-Red roof hatch provides single-handed opening and closing for safe and easy access to rooftops from either ladders or stairs. Polyisocyanurate insulation in the cover and on the curb give you an energy-saving upgrade from our previous model. Galvanneal construction with a durable factory powder coat finish does not need to be painted in the field.



SPECIFICATIONS:

Material: Steel- 14 gauge galvanneal steel curb and cover with 22 gauge galvanneal steel cover liner.

Finish: Powder coat gray texture

Gasketing: Bulb neoprene door seal

Insulation: 1" polyisocyanurate (R-6) on curb and in cover

Hinges: Heavy-duty galvanneal steel with bolt pin

Hold-Open Arm: Clear zinc-plated steel hold-open arm with red plastic coating

Latch: Zinc-plated steel single point slam latch

Springs: Pressure intensifiers with compression spring provide lift assistance

Sizes: 36" x 24" (W x L where L is the hinged side)

Order Size = Curb Opening

ACCESSORIES SOLD SEPARATELY:

___ Safety Post, Safety Yellow (LP-4)

___ Safety Railing (RSRWB)

MODEL #: RHUG-3624GT



DUR-RED PRODUCTS

9702 Newton Avenue S, Bloomington, MN 55431

800-554-6077

sales@activarcpg.com

www.activarcpg.com

Distributor:		Project:	
Contractor:		Approved By:	
Date:		Architect:	
Scale: 1:16	Pages: 1 OF 1	Drawing #:	RHUG-3624GT-SUBMITTAL