

DURA-HATCH VIEW SERIES™ DOMED ROOF HATCHES - RHUV

The Dur-Red domed roof hatch provides single-handed opening and closing for safe and easy access to rooftops from either ladders or stairs. Polyisocyanurate insulation in the cover and on the curb give you an energy-saving upgrade from our previous model. Galvanneal construction with a durable factory powder coat finish does not need to be painted in the field.

Material: Steel- 14 gauge galvanneal curb and cover with 22 gauge galvanneal liner. Aluminum—11 gauge aluminum curb and cover with 18 gauge aluminum liner.

Finish: Powder coat gray texture on steel, powder coat silver texture on aluminum

Domes: Clear over white acrylic

Insulation: 1" polyisocyanurate in curb and in cover

Hinges: Heavy-duty galvanneal steel or aluminum hinge with bolt pin
Hold-Open Arm: Clear zinc-plated steel hold-open arm with red plastic coating

Latch: Zinc-plated steel single point slam latch

Springs: Pressure intensifiers with compression spring provide lift assistance

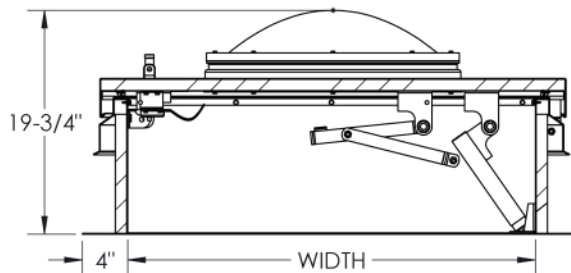
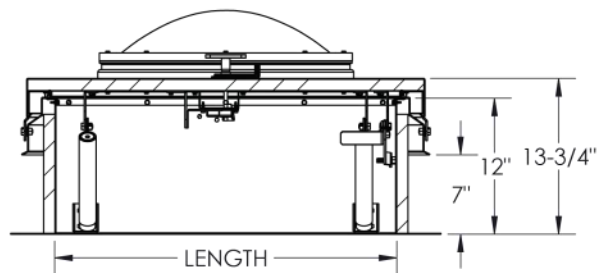
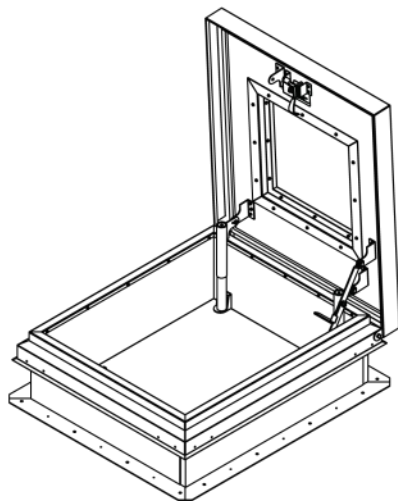
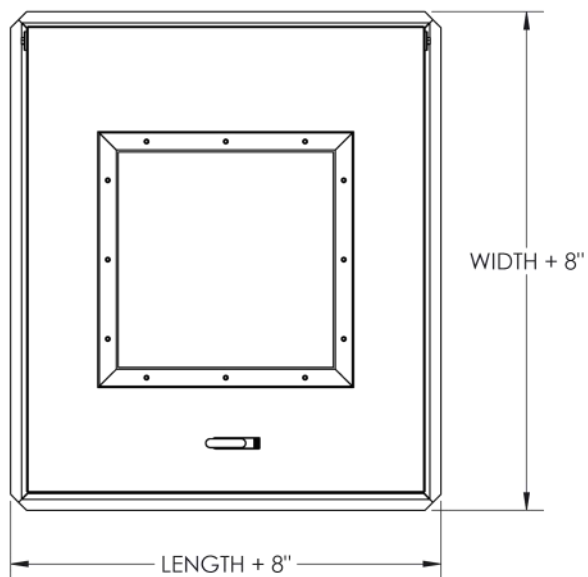
Sizes: Minimum 30" x 30", Maximum: 36" x 60" or 48" x 48". (W x L where L is the hinged side)

Order Size = Curb Opening


ACCESSORIES SOLD SEPARATELY:

___ Safety Post, Safety Yellow (LP-4-DR)

___ Safety Railing (RSRWB)



It is the responsibility of the customer to communicate specifications and product performance requirements that are needed for their application. This document is intended to convey potential product configurations and offerings. It is not to be used to imply or represent a specification or rating, of finished products shipped. Detailed, specific submittals can be created upon request. It is the responsibility of the customer to specify product accordingly to comply with local laws, codes, and ordinances.

 <p>DUR-RED PRODUCTS 9702 Newton Av S, Bloomington MN 55431 Many Locations Nationwide</p>	800-554-6077 sales@activarcpg.com www.activarcpg.com	Distributor: Contractor: Date: Scale: N/A	Project: Approved By: Architect: Item #
	800-554-6077 sales@activarcpg.com www.activarcpg.com	Scale: N/A	Project: Approved By: Architect: Item #
	800-554-6077 sales@activarcpg.com www.activarcpg.com	Scale: N/A Pages: 1 of 2	Project: Approved By: Architect: Item #
	800-554-6077 sales@activarcpg.com www.activarcpg.com	Scale: N/A Pages: 1 of 2	Project: Approved By: Architect: Item #

QTY	WIDTH X LENGTH	MODEL	PRIOR DUR-RED MODEL	MATERIAL	TYPE
	30" x 30"	RHUVA-3030ST	DLHA-3030	Aluminum	Ladder
	30" x 54"	RHUVA-2ST	DLHA-3054	Aluminum	Stair
	36" x 30"	RHUVA-1ST	DLHA-3036	Aluminum	Ladder
	36" x 36"	RHUVA-4ST	DLHA-3636	Aluminum	Ladder
	48" x 48"	RHUVA-5ST	DSSHA-4848	Aluminum	Ladder
	30" x 30"	RHUVG-3030GT	DLHG-3030	Galvanneal	Ladder
	30" x 54"	RHUVG-2GT	DLHG-3054	Galvanneal	Stair
	36" x 30"	RHUVG-1GT	DLHG-3036	Galvanneal	Ladder
	36" x 36"	RHUVG-4GT	DLHG-3636	Galvanneal	Ladder
	48" x 48"	RHUVG-5GT	DSSHG-4848	Galvanneal	Ladder

MADE-TO-ORDER RHUV: EXAMPLE—RHUVA-3640ST-VPCW

RHUV	MATERIAL	WIDTH	LENGTH	FINISH	OPTIONS
<input type="checkbox"/>	G Galvanneal	<input type="checkbox"/>	<input type="checkbox"/>	<input type="checkbox"/>	<input type="checkbox"/>
<input type="checkbox"/>	A Aluminum	<input type="checkbox"/>	<input type="checkbox"/>	GT Powder Coat Gray Texture (Std for RHUVG)	ABC All But Curb™
<input type="checkbox"/>	GA Steel Curb, Aluminum Cover	<input type="checkbox"/>	<input type="checkbox"/>	ST Powder Coat Silver Texture (Std for RHUVA, RHVGA)	CD Double Wall Curb
					CM Curb Mount
					H18 18" High Curb
					IT 2" Polyiso Curb
					IW 1" x 6" Wood Nailer Top/Polyiso Bottom of Curb
					RR Safety Railing Ready
					SS Stainless Hardware
					VPCW Double Polycarbonate Clear over White Dome
					VAW Acrylic Single Dome White
					VPW Polycarbonate Single Dome White

See separate submittals for details on the **ABC** or **CM** Options