

GENERAL:

Safety railings are designed to mount on roof hatches to provide fall protection around the hatch when open. The following instructions are recommended general guidelines for installing compression type safety railings.

TOOLS:

- 1/4" Allen wrench
- 3/4" wrench (By others)

INSTALLATION:

1. Set the bottom frame of the safety railing around the roof hatch opening. The square tubing "1" with insulation compresses against the roof hatch curb under the cap flashing. The round tubes "2" connect the square tubing to form a rectangular frame.
2. Attach using bolt inserted through square tubing into the end of the round tubes - Detail A.
3. Tighten to fit opening, making sure the round conduit "2" resides as close to the front curb as possible at the egress side.
4. Install the four corner posts with threaded bolts into the the square tubing using washer and nuts to secure - Detail "A". Clamps should be facing the outside of the frame, and posts with 2 clamps at non-egress end of frame. NOTE: if rigid gate is to be installed, the bottom hinge clamp will need to be slid into place on the post where the gate will be anchored at this time.
5. Install upper and mid rails # 4, 3 and 8 into the post clamps using set screws and wrench provided - Detail "B".
6. Add chain by placing hoop(s) over the post(s). Adjust the chain length so that it is snug and straight across using the quick link. Optional self-closing gate installs over the posts, using set screws to secure.
7. Check and tighten all screws and nuts.

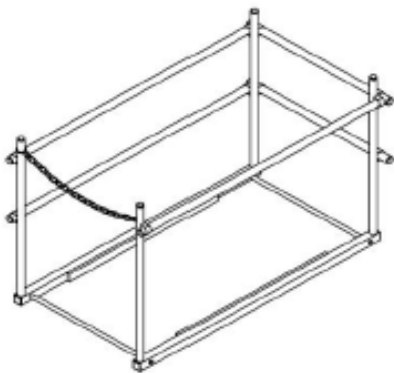


MAINTENANCE:

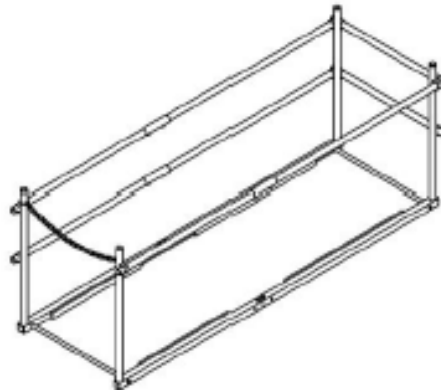
Fasten and tighten all screws and nuts annually or as needed. Check for proper closing and operation if rigid gate is installed.

CLEANING:

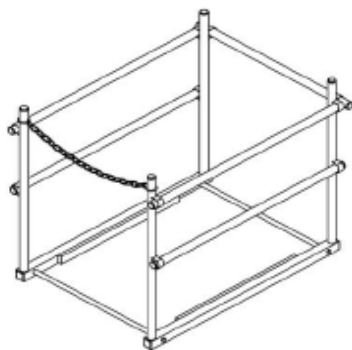
Painted surfaces can be cleaned with a mild soap and water solution.



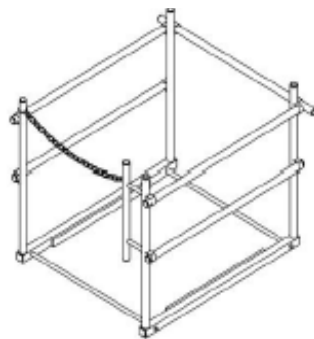
*SHWC-3054: Ships Stair Access Saf-T Railing
Door to Open Against Side with 1 Rail*



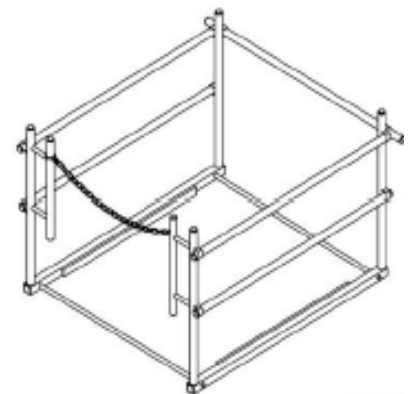
*SHWC-3096: Service Stair Saf-T Railing Couplers Attach Rails
Midspan. Door to Open Against Side with 1 Rail*



SHWC-3036: Ladder Access Saf-T Railing



*SHWC-3636: Ladder Access
Saf-T Railing Comes Standard
with 1 Grab Bar*



*SHWC-4848: Ladder Access
Saf-T Railing Comes Standard
with 2 Grab Bars*