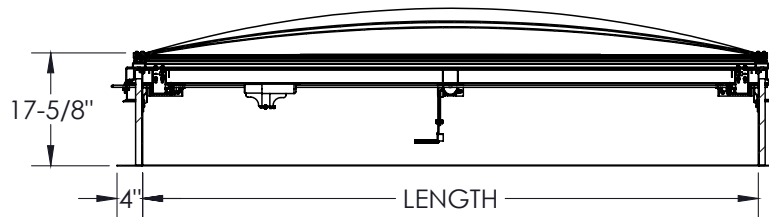
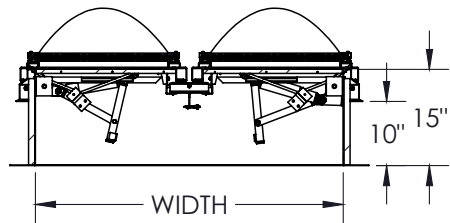
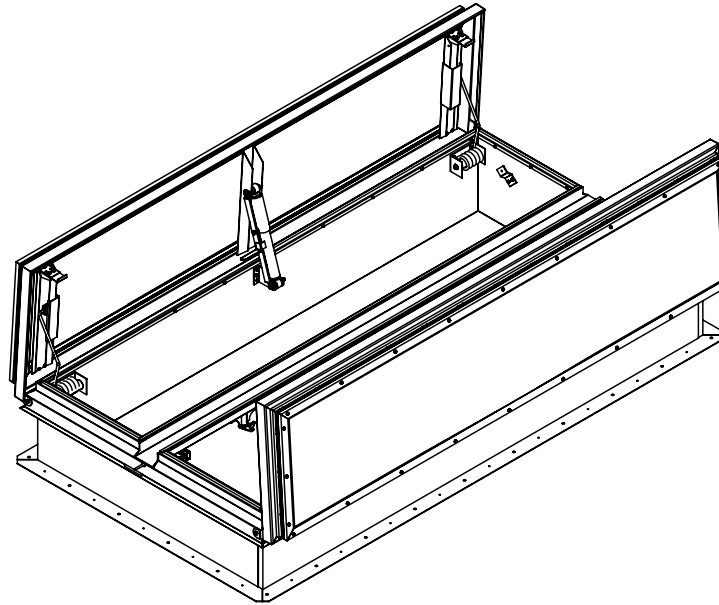
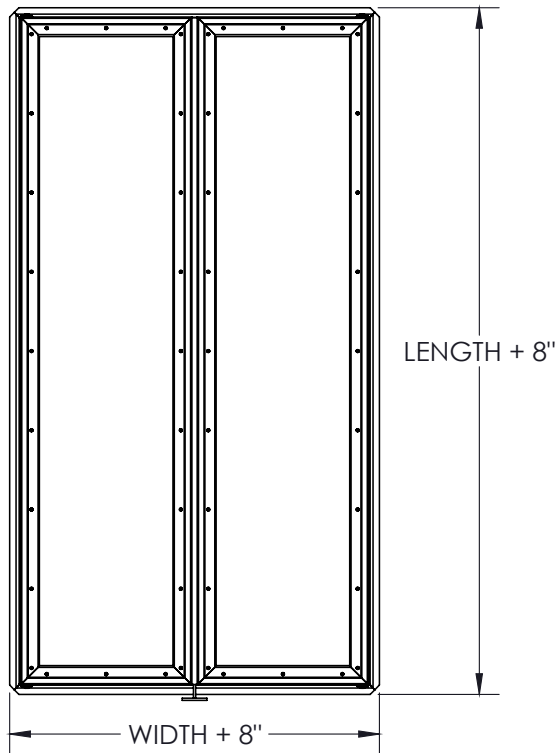


ROOF ACCESSORIES - FARHRENHEIT™ SERIES DOMED SMOKE VENT - RVFV

Domed smoke vents provide natural daylighting where smoke vents are installed. Double door smoke vents automatically open during a fire with a heat responsive device, releasing harmful smoke and fumes.



SPECIFICATIONS:

Material:

Curb: 14 gauge galvalneal steel

Cover: 11 gauge aluminum

Finish: Silver textured powder coat paint

Dome: Clear over white acrylic

Gasket: Bulb neoprene door seal

Insulation: 1" polyisocyanurate (R-6) on curb and in cover

Hinge: Heavy-duty aluminum hinge with bolt pin

Hold-Open Arm: Clear zinc-plated steel hold-open arm with red plastic coating

Latch: Fully enclosed automatic pull release latch unit - typical each end

Manual Release: Interior and exterior manual release

Fusible Link: 165° UL-Listed Fusible Link

Spring: Torsion spring drives open the covers automatically. Shock absorbers control the speed of the leaves as they open

Sizes:

Minimum: 48" x 48"

Maximum: 48" x 96" or 72" x 96"

Clear Opening: Minus 8" on width and minus 8" on length

ROOF OPENING = ORDER SIZE

OPTIONS & ACCESSORIES:

Options:

Hatch: Double wall curb, curb mount, 2" polyisocyanurate on curb, 24VDC McCabe link 165°F, link 212°F

Dome: Acrylic single dome white, polycarbonate single dome white, polycarbonate clear over white double dome

Accessories: Security grille (RSGD) 1/2" diameter steel rod 6" x 12" spacing with 1-1/4" x 1-1/4" drop in flange in powder coat grey (ordered separately)

SECURITY GRILLE, ORDERED SEPARATELY

RSGD Security Grille



DUR-RED PRODUCTS

9702 Newton Avenue S, Bloomington, MN 55431

800-554-6077

sales@activarcpg.com

www.activarcpg.com

Distributor:

Project:

Contractor:

Approved By:

Date:

Architect:

Scale: N/A

Pages: 1 of 2

Item #:

ROOF ACCESSORIES - FARHRENHEIT™ SERIES DOMED SMOKE VENT - RVFV

COMMON SIZES - RVFV

QTY	MODEL	PREVIOUS MODEL		CURB OPENING Width x Length
		JL	Dur-Red	
	RVFVGA-4848ST	UFV-1	UFSH-4848	48" x 48"
	RVFVGA-4872ST	UFV-2	UFSH-4872	48" x 72"
	RVFVGA-4890ST	UFV-3	UFSH-4890	48" x 90"
	RVFVGA-4896ST	UFV-4	UFSH-4896	48" x 96"
	RVFVGA-6060ST	UFV-5	UFSH-6060	60" x 60"
	RVFVGA-6096ST	UFV-6	UFSH-6096	60" x 96"
	RVFVGA-7296ST	-----	UFSH-7296	72" x 96"

More sizes available upon request

MADE-TO-ORDER RVFV - EXAMPLE: RVFVGA-4860ST-VAW

QTY	MODEL	MATERIAL	-	WIDTH	HEIGHT	FINISH	-	OPTIONS																		
	RVFV	GA Steel Curb, Aluminum Cover				ST Powder Coat Silver Textured		<table border="1"> <tr> <td>CD</td> <td>Double wall curb</td> </tr> <tr> <td>CM</td> <td>Curb mount</td> </tr> <tr> <td>IT</td> <td>2" polyisocyanurate on curb</td> </tr> <tr> <td>ITT</td> <td>2" polyisocyanurate on curb & cover</td> </tr> <tr> <td>L1LO</td> <td>24VDC McCabe link, 165°F</td> </tr> <tr> <td>L2LO</td> <td>Link 212°F</td> </tr> <tr> <td>VAW</td> <td>Acrylic Single Dome White</td> </tr> <tr> <td>VPCW</td> <td>Double Polycarbonate Clear over White Dome</td> </tr> <tr> <td>VPW</td> <td>Polycarbonate Single Dome White</td> </tr> </table>	CD	Double wall curb	CM	Curb mount	IT	2" polyisocyanurate on curb	ITT	2" polyisocyanurate on curb & cover	L1LO	24VDC McCabe link, 165°F	L2LO	Link 212°F	VAW	Acrylic Single Dome White	VPCW	Double Polycarbonate Clear over White Dome	VPW	Polycarbonate Single Dome White
CD	Double wall curb																									
CM	Curb mount																									
IT	2" polyisocyanurate on curb																									
ITT	2" polyisocyanurate on curb & cover																									
L1LO	24VDC McCabe link, 165°F																									
L2LO	Link 212°F																									
VAW	Acrylic Single Dome White																									
VPCW	Double Polycarbonate Clear over White Dome																									
VPW	Polycarbonate Single Dome White																									

It is the responsibility of the customer to communicate specifications and product performance requirements that are needed for their application. This document is intended to convey potential product configurations and offerings. It is not to be used to imply or represent a specification or rating, of finished products shipped. Detailed, specific submittals can be created upon request. It is the responsibility of the customer to specify product accordingly to comply with local laws, codes, and ordinances.