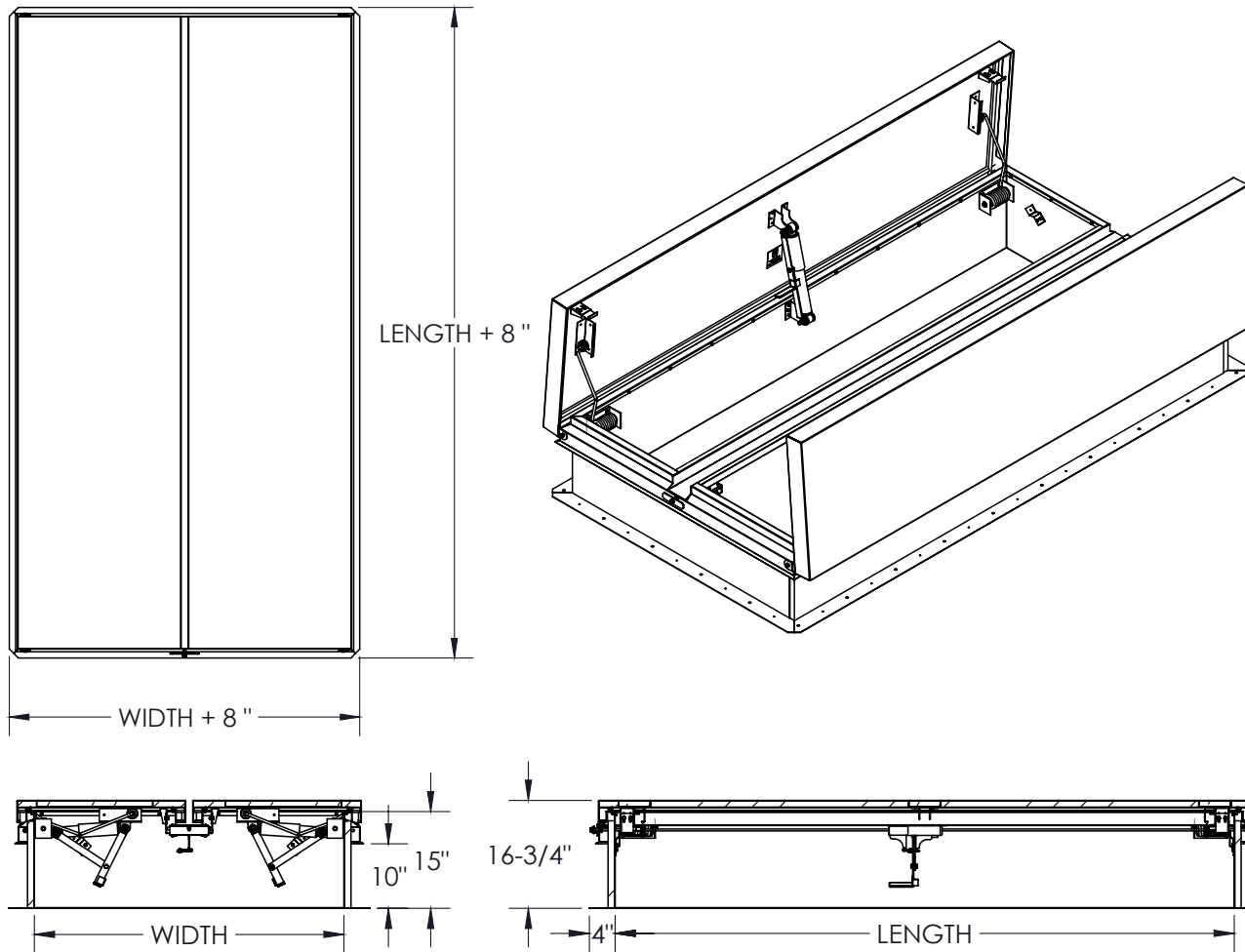


ROOF ACCESSORIES - FARHRENHEIT™ SERIES SMOKE VENT - RVF

Double door smoke vents automatically open during a fire with a heat responsive device, releasing harmful smoke and fumes. Smoke vents are required as referenced in International Building Code section 410 for stages, platforms and technical production areas and section 910 for smoke and heat removal in storage and warehouse occupancies.



SPECIFICATIONS:

Material:

Curb: 14 gauge galvalneal steel

Cover: 11 gauge aluminum with 22 gauge galvalneal steel cover liner

Finish: Silver textured powder coat paint

Gasket: Bulb neoprene door seal

Insulation: 1" polyisocyanurate (R-6) on curb and in cover

Hinge: Heavy-duty aluminum hinge with bolt pin

Hold-Open Arm: Clear zinc-plated steel hold-open arm with red plastic coating

Latch: Fully enclosed automatic pull release latch unit - typical each end

Manual Release: Interior and exterior manual release

Fusible Link: 165° UL-Listed Fusible Link

Spring: Torsion spring drives open the covers automatically. Shock absorbers control the speed of the leaves as they open

Sizes:

Minimum: 48" x 48"

Maximum: 48" x 96" (UL-Listed) or 72" x 96" (not UL-Listed)

Clear Opening: Minus 8" on width and minus 8" on length

ROOF OPENING = ORDER SIZE

CERTIFICATIONS:

UL 793 listed and labeled up to 48" x 96"

OPTIONS & ACCESSORIES:

Options: Double wall curb, curb mount, 2" polyisocyanurate, 2" polyisocyanurate and cover, 24VDC McCabe link 165°F, link 212°F

Accessories: Security grille (RSGD) 1/2" diameter steel rod 6" x 12" spacing with 1-1/4" x 1-1/4" drop in flange in powder coat grey (ordered separately)

**SECURITY GRILLE,
ORDERED SEPARATELY**

RSGD Security Grille



DUR-RED PRODUCTS

9702 Newton Avenue S, Bloomington, MN 55431

800-554-6077

sales@activarcpg.com

www.activarcpg.com

Distributor:

Project:

Contractor:

Approved By:

Date:

Architect:

Scale: N/A

Pages: 1 of 2

Item #:

ROOF ACCESSORIES - FARHRENHEIT™ SERIES SMOKE VENT - RVF

COMMON SIZES

QTY	MODEL	PREVIOUS MODEL		CURB OPENING Width x Length
		JL	Dur-Red	
	RVFGA-4848ST	UFV-1	UFSH-4848	48" x 48"
	RVFGA-4872ST	UFV-2	UFSH-4872	48" x 72"
	RVFGA-4890ST	UFV-3	UFSH-4890	48" x 90"
	RVFGA-4896ST	UFV-4	UFSH-4896	48" x 96"
	RVFGA-6060ST	UFV-5	UFSH-6060	60" x 60" (not UL listed)
	RVFGA-6096ST	UFV-6	UFSH-6096	60" x 96" (not UL listed)
	RVFGA-7296ST	-----	UFSH-7296	72" x 96" (not UL listed)

More sizes available upon request

MADE-TO-ORDER RVF - EXAMPLE: RVFGA-4860ST-ITL2LO

QTY	MODEL	MATERIAL	-	WIDTH	HEIGHT	FINISH	-	OPTIONS												
	RVF	GA Steel Curb, Aluminum Cover				ST Powder Coat Silver Textured		<table border="1"> <tr> <td>CD</td> <td>Double wall curb</td> </tr> <tr> <td>CM</td> <td>Curb mount</td> </tr> <tr> <td>IT</td> <td>2" polyisocyanurate on curb</td> </tr> <tr> <td>ITT</td> <td>2" polyisocyanurate on curb & cover</td> </tr> <tr> <td>L1LO</td> <td>24VDC McCabe link, 165°F</td> </tr> <tr> <td>L2LO</td> <td>Link 212°F</td> </tr> </table>	CD	Double wall curb	CM	Curb mount	IT	2" polyisocyanurate on curb	ITT	2" polyisocyanurate on curb & cover	L1LO	24VDC McCabe link, 165°F	L2LO	Link 212°F
CD	Double wall curb																			
CM	Curb mount																			
IT	2" polyisocyanurate on curb																			
ITT	2" polyisocyanurate on curb & cover																			
L1LO	24VDC McCabe link, 165°F																			
L2LO	Link 212°F																			

It is the responsibility of the customer to communicate specifications and product performance requirements that are needed for their application. This document is intended to convey potential product configurations and offerings. It is not to be used to imply or represent a specification or rating, of finished products shipped. Detailed, specific submittals can be created upon request. It is the responsibility of the customer to specify product accordingly to comply with local laws, codes, and ordinances.