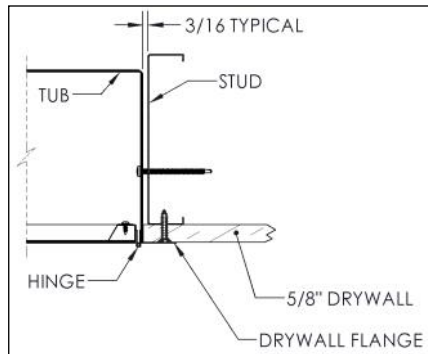


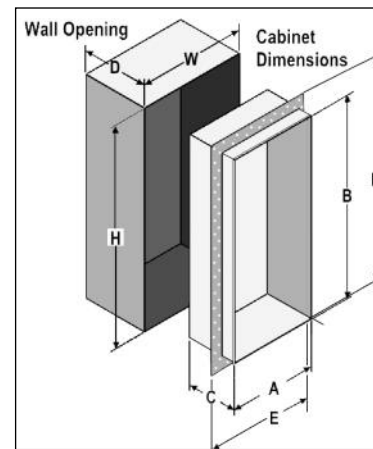
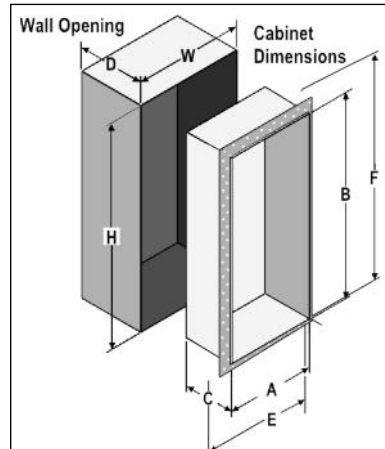


Detail of Trimless Fire Extinguisher Cabinets

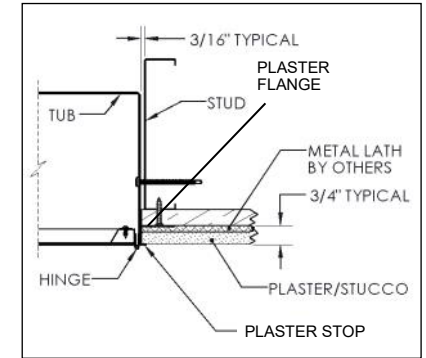
TRIMLESS CABINETS FOR NON RATED WALLS - INSTALL OVER DRYWALL OR UNDER PLASTER/STUCCO



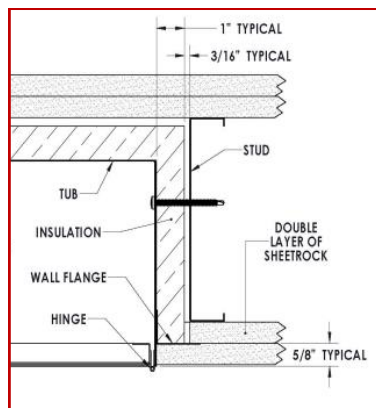
DRYWALL FLANGE FOR 5/8" DRYWALL



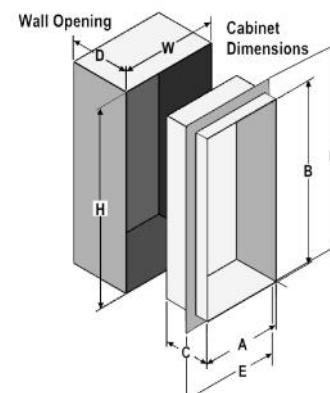
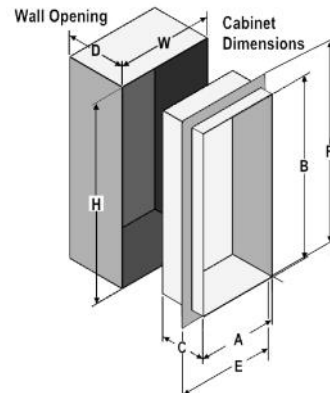
FLANGE RECESSED 3/4" FROM CABINET FACE WITH PLASTER STOP



TRIMLESS CABINETS FOR FIRE-RATED WALLS - INSTALL BETWEEN LAYERS OF DRYWALL, PLASTER OR STUCCO



FLANGE FOR 5/8" DRYWALL RECESSED 5/8" FROM CABINET FACE
INSTALL 1ST LAYER OF DRYWALL, THEN CABINET,
THEN FINAL LAYER OF DRYWALL



FLANGE RECESSED 3/4" FROM CABINET FACE -
INSTALL 1ST LAYER OF SUBSTRATE, THEN CABINET,
THEN APPLY METAL LATH AND PLASTER/STUCCO

