

# SUBMITTAL: CROWLINE™ VALVE & HOSE CABINETS - TRIMLESS STAINLESS STEEL

Crownline Cabinets Provide A Wide Selection of Door Styles, Glazing and Sizes. These Durable Cabinets are Designed to Industry Standards for Fire Department Valves, Fire Hose Rack Units and Extinguishers. This Concealed Trim Model is Designed to be Installed Over Drywall, or Under Plaster for a Flush Finished Surface.



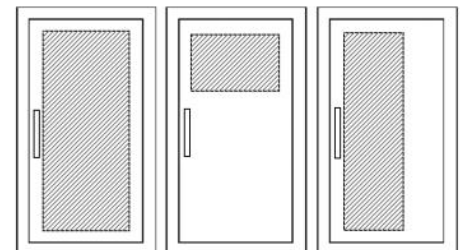
**Door:** #4 Brushed finish stainless steel. These flush cabinet doors are attached by a continuous hinge and are equipped with zinc-plated handle and roller catch for all non-locking doors. Doors with glazing have 1-1/4" wide trim. Theft-deterrent SAF-T-LOK™ also available.

**Concealed Flange Style:** Drywall bead for installation over drywall or plaster flange with stop with 3/4" plaster allowance. All models meet 4" ADA projection requirement.

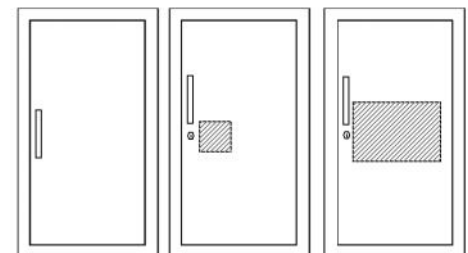
**Tub:** The tub is constructed of cold rolled steel with silver powder-coat finish standard. Tub includes a 1-1/4" wide flange to cover the wall opening, and is designed to be concealed by drywall, plaster or stucco.

**Knockouts:** K.O.'s are provided on both sides of the cabinet. K.O.'s on left side will be located using "J" dimension, K.O.'s on right side using "K" dimension and may be offset from K.O.'s on "J" side of cabinet. Models 6034 and 6234 - Specify knockout location. Custom location K.O.'s available.

**Fire-Rated Option Available:** Yes - See separate submittal.



F - Full glass with pull  
G - Full glass with pull handle and Saf-T-Lok (Not Shown)  
D - Horizontal duo panel with pull  
E - Horizontal duo panel with pull and Saf-T-Lok. (Not Shown)  
V - Vertical duo panel with pull  
W - Vertical duo panel with pull and Saf-T-Lok. (Not Shown)



S21 - Solid with pull  
L22 - Solid with pull and Saf-T-Lok  
L24 - Solid with cylinder key lock/no pull (L22,24 not shown)  
B10 - Acrylic view window with pull, and Saf-T-Lok  
A - Horizontal duo panel with pull and Saf-T-Lok

## STEP 1: SELECT MODEL NUMBER, TRIM & QUANTITY (Refer to Chart on Page 2)

### STEP 2: SELECT DOOR STYLE

(Check one box below)

- F Full Glazing
- G Full Glazing with SAF-T-LOK
- D Horizontal Duo Panel
- E Horizontal Dual Panel with SAF-T-LOK
- A Center Duo Panel with SAF-T-LOK
- S21 Solid Door

- L22 Solid with SAF-T-LOK
- V Vertical Duo
- W Vertical Duo with SAF-T-LOK
- B10 Acrylic View Window with SAF-T-LOK
- L24 Solid with Cylinder Lock & No Pull

**ADA Cabinet Mounting Height:** Standard Pull on G, E, W, L22 and B Door Styles with Saf-T-Lok are 3 5/8" Higher than Door Center, so Allow for that When Mounting Cabinet. Standard Pull with No Lock or ADA Recessed Pull are Centered on Door.

### STEP 3: SELECT DOOR GLAZING


(Check one box below)

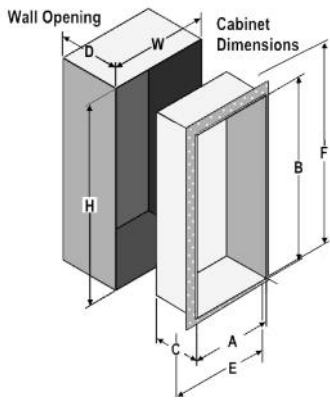
- 10 Clear Acrylic
- 13 Clear Wire Glass with Safety Film
- 15 Bronze Acrylic
- 16 Gray Acrylic
- 17 Clear Tempered Glass
- 18 Laminated Safety Glass

### STEP 4: OPTIONAL FEATURES AT ADDITIONAL COST:

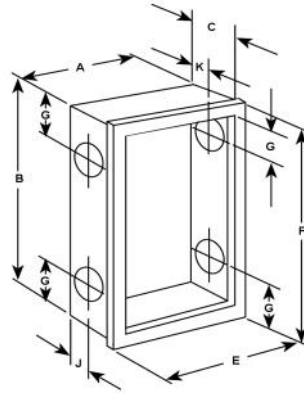
- #6 Matte Finish Stainless Steel Door & Trim
- #7 Polished Stainless Steel Door & Trim
- #8 Mirror Finish Stainless Steel Door & Trim
- CA Commander Alarm
- BA Brigadier Alarm
- Futura "Fire" Handle\_\_ Mill\_\_ Red\_\_ White
- PRH Recessed Pull Handle
- PUCH Polished Chrome Pull
- Shelf for 8000 Series—12" from Top
- FDVO Decal Fire Department Valve Octagonal 6 x 6"
- 1403 Decal Fire Hose Black/Red Horiz. Letters 4 x 9
- LDCHRFDV-R Diecut Fire Dept. Valve Horiz. 10-1/4 x 4-3/8
- LDCVRFDV Diecut Fire Dept Valve Vert. 3/4" x 21 1/2"
- LDCVRFDV-R Diecut Fire Dept Valve Vert. Rever. 3/4" x 21 1/2"
- LDCHRFDV Diecut Fire Department Valve Ascend. 1" x 17"
- LDCVRFSCV-R Diecut Fire Sprinkler Cont. Valve Vert 3/4" x 18"
- Black Vertical FE Letters LDCVBFE
- Red Vertical FE Letters LDCVRFE
- White Vertical FE Letters LDCVWFE
- Black Horizontal FE Letters LDCHBFE
- Red Horizontal FE Letters LDCHRFE
- White Horizontal FE Letters LDCHWFE
- Lettering: Etched on Glass, Engraving on Metal, Silkscreen; Not Available for #7 or #8 Finish on Doors. Check Box and Attach Separate Submittal to Order.

Fire Hose Racks - See separate submittal

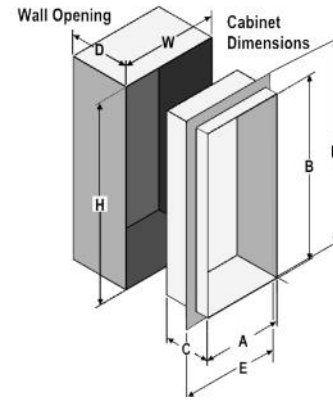
 <b>JL INDUSTRIES</b> ©2024 ACTIVAR CONSTRUCTION PRODUCTS GROUP, INC.	Distributor:	Quantity:
	Contractor:	Approved By:
	Model #:	Architect:
	Project:	Date:
HEADQUARTERS: 9702 NEWTON AVE S, BLOOMINGTON, MN 55431 PH: 800-554-6077 EMAIL: SALES@ACTIVARCPG.COM WWW.ACTIVARCPG.COM MANUFACTURING: BLOOMINGTON, MN & COMMERCE, CA 3/19/2024		



TRIMLESS FLANGE FOR 5/8" DRYWALL (W)



KNOCKOUT LOCATIONS



TRIMLESS RECESSED FLANGE FOR 3/4" PLASTER (P)

QTY	MODEL	TUB I.D. W x H x D in Inches			FRAME O.D.		RECESSED WALL OPENING			KNOCKOUT LOCATIONS			RECOMMENDED HOSE RACK, FIRE DEPARTMENT VALVES & EXTINGUISHERS
		A Width	B Height	C Depth	E Width	F Height	W Width	H Height	D Depth	J	G	K	
<b>TRIMLESS CABINET WITH WALLBOARD BEAD FLANGE FOR INSTALLATION OVER DRYWALL - Example of Part # 6034WG10</b>													
	6034W	24	30	6	26 1/2	32 1/2	25	31	6 1/8	2 1/2	TBD	2 1/2	HOSE RACK: 1- 1/2" x 1-1/2" Hose Rack Unit with 50 or 75' Hose (HRA:050B, 050CH, 075B, 075CH) & Cosmic 2½ or Galaxy 2½- 5 lb Extng.
	6234W	24	34-3/4	6	26 1/2	36 1/4	25	35 3/4	6 1/8	2 1/2	TBD	2 1/2	HOSE RACK: 1- 1/2" x 1-1/2" Hose Rack Unit - 100' Hose (HRA 100B, HRA100CH) & Cosmic 2½ or Galaxy 2½- 5 lb Extinguisher
	6134W	24	30	8	26 1/2	32 1/2	25	31	8 1/8	4	4	4	HOSE RACK: 2-1/2" x 1-1/2" Hose Rack Unit 50 or 75' Hose (HRA050B-2.5, HRA075B-2.5)
	6434W	24	34 3/4	8	26 1/2	36 1/4	25	35 3/4	8 1/8	4	4	4	HOSE RACK: 2-1/2" x 1-1/2" Hose Rack Unit 100' Hose (HRA100B-2.5)
	6634W	24	38 3/4	8	26 1/2	41 1/4	25	39 3/4	8 1/8	4	4	4	HOSE RACK: 2-1/2" x 1-1/2" Hose Rack Unit 125' Hose (HRA125B-2.5)
	6334W	30	30	8	32 1/2	32 1/2	31	31	8 1/8	4	4	4	HOSE RACK & FD VALVE OR EXTINGUISHER: 1-1/2" OR 2-1/2" Valve; 50' or 75' Hose Rack Unit Plus FD Valve or Cosmic or Galaxy Extinguisher
	6534W	32 3/4	34 3/4	8	35 1/4	36 1/4	33 3/4	35 3/4	8 1/8	4	4	4	HOSE RACK & FD VALVE OR EXTINGUISHER: 1-1/2" OR 2-1/2" Valve, 100' Hose Rack Unit Plus FD Valve or Cosmic or Galaxy Extinguisher
	7234W	32 3/4	38 3/4	8	35 1/4	41 1/4	33 3/4	39 3/4	8 1/8	4	4	4	HOSE RACK & FD VALVE OR EXTINGUISHER: 1-1/2" OR 2-1/2" Valve, 125' Hose Rack Unit Plus FD Valve or Cosmic or Galaxy Extinguisher
	8534W	18	18	8	21-1/8	21-1/8	19	19	8 1/8	4	9	4	FIRE DEPARTMENT VALVE: 1-1/2" or 2-1/2" Fire Department Valve with Cap and Chain
	8434W	18	18	10	21-1/8	21-1/8	19	19	10 1/8	5	9	5	FIRE DEPARTMENT VALVE: 1-1/2" or 2-1/2" Fire Department Valve with Cap and Chain
	8734W	26	26	8	28 1/2	28 1/2	27	27	8 1/8	4	13	4	DUAL SIDE BY SIDE FD VALVES & EXTINGUISHER OR 2 FD VALVES: 1-1/2" or 2-1/2" with Cap and Chain Plus Cosmic & Galaxy 2-1/2 to 10 Fire Extng
	8634W	26	26	10	28 1/2	28 1/2	27	27	10 1/8	5	13	5	DUAL SIDE BY SIDE FD VALVES & EXTINGUISHER OR 2 FD VALVES: 1-1/2" or 2-1/2" with Cap and Chain Plus Cosmic & Galaxy 2-1/2 to 10 Fire Extng
	8034W	16	40	9	18 1/2	42 1/2	17	41	9 1/8	4 1/4	6	4 1/4	DUAL EXTINGUISHER & FD VALVE CABINET W/ SHELF: Cosmic or Galaxy Extinguisher
<b>TRIMLESS CABINET WITH RECESSED FLANGE FOR INSTALLATION OF 3/4" PLASTER OVER FLANGE -Example of Part # 6234PF10</b>													
	6034P	24	30	6	26 1/2	32 1/2	25	31	5 3/8	2 1/2	TBD	2 1/2	HOSE RACK: 1- 1/2" x 1-1/2" Hose Rack Unit with 50 or 75' Hose (HRA:050B, 050CH, 075B, 075CH) & Cosmic 2½ or Galaxy 2½- 5 lb Extng.
	6234P	24	34-3/4	6	26 1/2	36 1/4	25	35 3/4	5 3/8	2 1/2	TBD	2 1/2	HOSE RACK: 1- 1/2" x 1-1/2" Hose Rack Unit - 100' Hose (HRA 100B, HRA100CH) & Cosmic 2½ or Galaxy 2½- 5 lb Extinguisher
	6134P	24	30	8	26 1/2	32 1/2	25	31	7 3/8	4	4	4	HOSE RACK: 2-1/2" x 1-1/2" Hose Rack Unit 50 or 75' Hose (HRA050B-2.5, HRA075B-2.5)
	6434P	24	34 3/4	8	26 1/2	36 1/4	25	35 3/4	7 3/8	4	4	4	HOSE RACK: 2-1/2" x 1-1/2" Hose Rack Unit 100' Hose (HRA100B-2.5)
	6634P	24	38 3/4	8	26 1/2	41 1/4	25	39 3/4	7 3/8	4	4	4	HOSE RACK: 2-1/2" x 1-1/2" Hose Rack Unit 125' Hose (HRA125B-2.5)
	6334P	30	30	8	32 1/2	32 1/2	31	31	7 3/8	4	4	4	HOSE RACK & FD VALVE OR EXTINGUISHER: 1-1/2" OR 2-1/2" Valve; 50' or 75' Hose Rack Unit Plus FD Valve or Cosmic or Galaxy Extinguisher
	6534P	32 3/4	34 3/4	8	35 1/4	36 1/4	33 3/4	35 3/4	7 3/8	4	4	4	HOSE RACK & FD VALVE OR EXTINGUISHER: 1-1/2" OR 2-1/2" Valve, 100' Hose Rack Unit Plus FD Valve or Cosmic or Galaxy Extinguisher
	7234P	32 3/4	38 3/4	8	35 1/4	41 1/4	33 3/4	39 3/4	7 3/8	4	4	4	HOSE RACK & FD VALVE OR EXTINGUISHER: 1-1/2" OR 2-1/2" Valve, 100' Hose Rack Unit Plus FD Valve or Cosmic or Galaxy Extinguisher
	8534P	18	18	8	20 1/2	20 1/2	19	19	7 3/8	4	9	4	FIRE DEPARTMENT VALVE: 1-1/2" or 2-1/2" Fire Department Valve with Cap and Chain
	8434P	18	18	10	20 1/2	20 1/2	19	19	9 3/8	5	9	5	FIRE DEPARTMENT VALVE: 1-1/2" or 2-1/2" Fire Department Valve with Cap and Chain
	8734P	26	26	8	28 1/2	28 1/2	27	27	7 3/8	4	13	4	DUAL SIDE BY SIDE FD VALVES & EXTINGUISHER OR 2 FD VALVES: 1-1/2" or 2-1/2" with Cap and Chain Plus Cosmic & Galaxy 2-1/2 to 10 Extng.
	8634P	26	26	10	28 1/2	28 1/2	27	27	9 3/8	5	13	5	DUAL SIDE BY SIDE FD VALVES & EXTINGUISHER OR 2 FD VALVES: 1-1/2" or 2-1/2" with Cap and Chain Plus Cosmic & Galaxy 2-1/2 to 10 Extng.
	8034P	16	40	9	18 1/2	42 1/2	17	41	8 3/8	4 1/4	6	4 1/4	DUAL EXTINGUISHER & FD VALVE CABINET W/ SHELF: Cosmic or Galaxy Extinguisher

It is the responsibility of the customer to communicate specifications and product performance requirements that are needed for their application. This document is intended to convey potential product configurations and offerings. It is not to be used to imply or represent a specification or rating, of finished products shipped. Detailed, specific submittals can be created upon request. It is the responsibility of the customer to specify product accordingly to comply with local laws, codes, and ordinances.