

Crownline Cabinets Provide A Wide Selection of Door Styles, Glazing and Sizes. These Durable Cabinets are Designed to Industry Standards for Fire Department Valves, Fire Hose Rack Units and Extinguishers. This New Version is Designed to be Installed Under the Drywall, for a Flush Finished Surface.

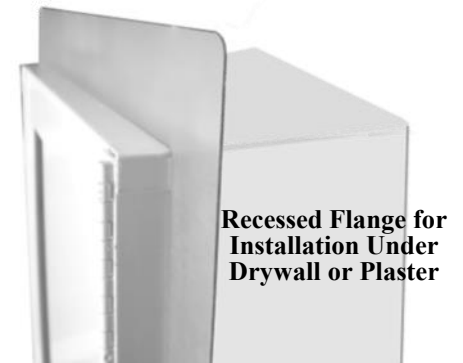
Door Construction: Cold rolled steel with white powder-coated finish standard. Flush cabinet doors are attached by a continuous hinge and equipped with zinc-plated handle and roller catch. Doors with glazing have 1-1/4 wide trim. Theft-deterrent SAF-T-LOK™ also available.

Concealed Flange Style: Drywall bead for installation over drywall or plaster flange with stop with 3/4" plaster allowance.

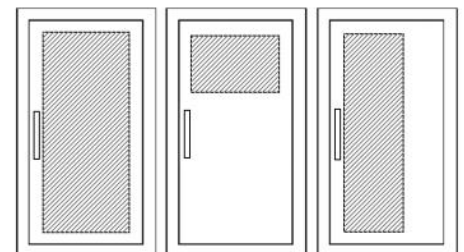
Tub: The tub is constructed of cold rolled steel with white powder-coat finish standard. Tub includes a 1-1/4" wide flange to cover the wall opening, and is designed to be concealed by drywall, plaster or stucco.

Knockouts: K.O.'s are provided on both sides of the cabinet. K.O.'s on left side will be located using "J" dimension, K.O.'s on right side using "K" dimension and may be offset from K.O.'s on "J" side of cabinet. Models 6014 and 6214 - Specify knockout location. Custom location K.O.'s available.

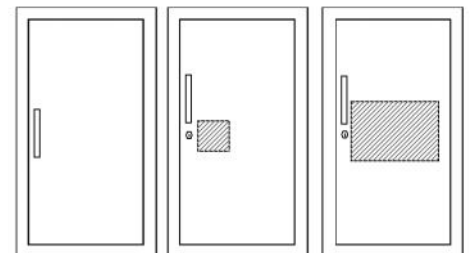
Fire-Rated Option Available: Yes - See separate submittal.



Recessed Flange for Installation Under Drywall or Plaster



F - Full glass with pull
G - Full glass with pull handle and Saf-T-Lok (Not Shown)
D - Horizontal duo panel with pull
E - Horizontal duo panel with pull and Saf-T-Lok. (Not Shown)
V - Vertical duo panel with pull
W - Vertical duo panel with pull and Saf-T-Lok. (Not Shown)



S21 - Solid with pull
L22 - Solid with pull and Saf-T-Lok
L24 - Solid with cylinder key lock/no pull (L22,24 not shown)
B10 - Acrylic view window with pull, and Saf-T-Lok
A - Center duo panel with pull and Saf-T-Lok

ADA Cabinet Mounting Height: Standard Pull on G, E, W, L22, A and B Door Styles with Saf-T-Lok are 3 5/8" Higher than Door Center, so Allow for that When Mounting Cabinet. Standard Pull with No Lock or ADA Recessed Pull are Centered on Door.

STEP 1: SELECT MODEL NUMBER, TRIM & QUANTITY (Refer to Chart on Page 2)

STEP 2: SELECT DOOR STYLE

(Check one box below)

- | | |
|--|---|
| <input type="checkbox"/> F Full Glazing | <input type="checkbox"/> L22 Solid with SAF-T-LOK |
| <input type="checkbox"/> G Full Glazing with SAF-T-LOK | <input type="checkbox"/> V Vertical Duo |
| <input type="checkbox"/> D Horizontal Duo Panel | <input type="checkbox"/> W Vertical Duo with SAF-T-LOK |
| <input type="checkbox"/> E Horizontal Duo Panel with SAF-T-LOK | <input type="checkbox"/> B10 Acrylic View Window with SAF-T-LOK |
| <input type="checkbox"/> A Center Duo Panel with SAF-T-LOK | <input type="checkbox"/> L24 Solid with Cylinder Lock & No Handle |
| <input type="checkbox"/> S21 Solid Door | |

STEP 3: SELECT DOOR GLAZING

(Check one box below)

- | | |
|---|--|
| <input type="checkbox"/> 10 Clear Acrylic | <input type="checkbox"/> 16 Gray Acrylic |
| <input type="checkbox"/> 13 Clear Wire Glass with Safety Film | <input type="checkbox"/> 17 Clear Tempered Glass |
| <input type="checkbox"/> 15 Bronze Acrylic | <input type="checkbox"/> 18 Laminated Safety Glass |

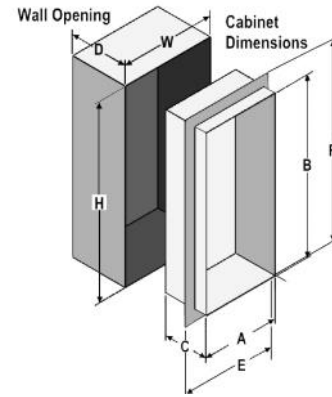
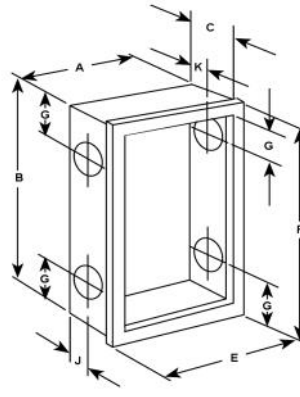
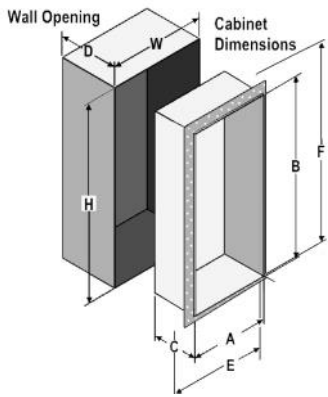
STEP 4: OPTIONAL FEATURES AT ADDITIONAL COST:

- | | |
|---|--|
| <input type="checkbox"/> Optional Tub Color: ___ Black ___ Red | <input type="checkbox"/> (MC) Magnetic Catch—Replaces Roller Catch |
| <input type="checkbox"/> Optional Color: ___ Red ___ Black ___ Sand | <input type="checkbox"/> FDVO Decal Fire Department Valve Octagonal 6 x 6" |
| ___ AMS Beige ___ SC Flat Beige ___ Gray | <input type="checkbox"/> 1403 Decal Fire Hose Black/Red Horiz. Letters 4 x 9 |
| ___ Bronze ___ Silver ___ Flat Black | <input type="checkbox"/> LDCHRFDV-R Diecut Fire Dept. Valve Horiz. 10-1/4 x 4-3/8 |
| <input type="checkbox"/> CA Commander Alarm | <input type="checkbox"/> LDCVRFDV Diecut Fire Dept Valve Vert. 3/4" x 21 1/2" |
| <input type="checkbox"/> BA Brigadier Alarm | <input type="checkbox"/> LDCVRFDV-R Diecut Fire Dept Valve Vert. Rever. 3/4" x 21 1/2" |
| Futura "Fire" Handle ___ Mill ___ Red ___ White | <input type="checkbox"/> LDCHRFDV Diecut Fire Department Valve Ascend. 1" x 17" |
| <input type="checkbox"/> PRH Recessed Pull Handle | <input type="checkbox"/> LDCVRFSCV-R Diecut Fire Sprinkler Cont. Valve Vert 3/4" x 18" |
| <input type="checkbox"/> PUCH Polished Chrome Handle | |
| <input type="checkbox"/> Shelf for 8000 Series 12" from Top | |
- Fire Hose Racks - See separate submittal

Fire Extinguisher Lettering:

- | | |
|--------------------------|--|
| <input type="checkbox"/> | Black Vertical FE Letters LDCVBFE |
| <input type="checkbox"/> | Red Vertical FE Letters LDCVRFE |
| <input type="checkbox"/> | White Vertical FE Letters LDCVWFE |
| <input type="checkbox"/> | Black Horizontal FE Letters LDCHBFE |
| <input type="checkbox"/> | Red Horizontal FE Letters LDCHRFE |
| <input type="checkbox"/> | White Horizontal FE Letters LDCHWFE |
| <input type="checkbox"/> | Etched Glass/Engraved Metal or Silkscreen Lettering— |
- (Check Box & Attach Separate Submittal)

<p>JL INDUSTRIES</p> <p>©2024 ACTIVAR CONSTRUCTION PRODUCTS GROUP, INC.</p>	Distributor:	Quantity:
	Contractor:	Approved By:
	Model #:	Architect:
	Project:	Date:
<p>HEADQUARTERS: 9702 NEWTON AVE S, BLOOMINGTON, MN 55431 PH: 800-554-6077 EMAIL: SALES@ACTIVARCPG.COM WWW.ACTIVARCPG.COM</p> <p>MANUFACTURING: BLOOMINGTON, MN & COMMERCE, CA 3/19/2024</p>		



TRIMLESS FLANGE FOR 5/8" DRYWALL (W)

KNOCKOUT LOCATIONS

TRIMLESS RECESSED FLANGE FOR 3/4" PLASTER (P)

QTY	MODEL	TUB I.D. W x H x D in Inches			FRAME O.D.		RECESSED WALL OPENING			KNOCKOUT LOCATIONS			RECOMMENDED HOSE RACK, FIRE DEPARTMENT VALVES & EXTINGUISHERS
		A Width h	B Height	C Depth	E Width	F Height	W Width	H Height	D Depth	J	G	K	
TRIMLESS CABINET WITH RECESSED FLANGE FOR INSTALLATION OF 5/8" DRYWALL OVER FLANGE Example of Part # 6014WF10													
	6014W __	24	30	6	-	-	25	31	6 1/8	2 1/2	TBD	2 1/2	HOSE RACK: 1- 1/2" x 1-1/2" Hose Rack Unit with 50 or 75' Hose (HRA:050B, 050CH, 075B, 075CH) & Cosmic 2½ or Galaxy 2½- 5 lb Exting.
	6214W __	24	34-3/4	6	-	-	25	35 3/4	6 1/8	2 1/2	TBD	2 1/2	HOSE RACK: 1- 1/2" x 1-1/2" Hose Rack Unit - 100' Hose (HRA 100B, HRA100CH) & Cosmic 2½ or Galaxy 2½- 5 lb Extinguisher
	6114W __	24	30	8	-	-	25	31	8 1/8	4	4	4	HOSE RACK: 2-1/2" x 1-1/2" Hose Rack Unit 50 or 75' Hose (HRA050B-2.5, HRA075B-2.5)
	6414W __	24	34 3/4	8	-	-	25	35 3/4	8 1/8	4	4	4	HOSE RACK: 2-1/2" x 1-1/2" Hose Rack Unit 100' Hose (HRA100B-2.5)
	6614W __	24	38 3/4	8	-	-	25	39 3/4	8 1/8	4	4	4	HOSE RACK: 2-1/2" x 1-1/2" Hose Rack Unit 125' Hose (HRA125B-2.5)
	6314W __	30	30	8	-	-	31	31	8 1/8	4	4	4	HOSE RACK & FD VALVE OR EXTINGUISHER: 1-1/2" OR 2-1/2" Valve; 50' or 75' Hose Rack Unit Plus FD Valve or Cosmic or Galaxy Fire Exting.
	6514W __	32 3/4	34 3/4	8	-	-	33 3/4	35 3/4	8 1/8	4	4	4	HOSE RACK & FD VALVE OR EXTINGUISHER: 1-1/2" OR 2-1/2" Valve, 100' Hose Rack Unit Plus FD Valve or Cosmic or Galaxy Fire Extinguisher
	7214W __	32 3/4	38 3/4	8	-	-	33 3/4	39 3/4	8 1/8	4	4	4	HOSE RACK & FD VALVE OR EXTINGUISHER: 1-1/2" OR 2-1/2" Valve, 125' Hose Rack Unit Plus FD Valve or Cosmic or Galaxy Fire Exting.
	8514W __	18	18	8	-	-	19	19	8 1/8	4	9	4	FIRE DEPARTMENT VALVE: 1-1/2" or 2-1/2" Fire Department Valve with Cap and Chain
	8414W __	18	18	10	-	-	19	19	10 1/8	5	9	5	
	8714W __	26	26	8	-	-	27	27	8 1/8	4	13	4	DUAL SIDE BY SIDE FD VALVES & EXTINGUISHER OR 2 FD VALVES: 1-1/2" or 2-1/2" with Cap and Chain Plus Exting. - Cosmic & Galaxy 2-1/2 to 10
	8614W __	26	26	10	-	-	27	27	10 1/8	5	13	5	
	8014W __	16	40	9	-	-	17	41	9 1/8	4 1/4	4	4 1/4	DUAL EXTINGUISHER & FD VALVE CABINET: Cosmic or Galaxy Fire Extinguisher
TRIMLESS CABINET WITH RECESSED FLANGE FOR INSTALLATION OF 3/4" PLASTER OVER FLANGE Example of Part # 6014PF10													
	6014P __	24	30	6	-	-	25	31	5 3/8	2 1/2	TBD	2 1/2	HOSE RACK: 1- 1/2" x 1-1/2" Hose Rack Unit with 50 or 75' Hose (HRA:050B, 050CH, 075B, 075CH) & Cosmic 2½ or Galaxy 2½- 5 lb Exting.
	6214P __	24	34-3/4	6	-	-	25	35 3/4	5 3/8	2 1/2	TBD	2 1/2	HOSE RACK: 1- 1/2" x 1-1/2" Hose Rack Unit - 100' Hose (HRA 100B, HRA100CH) & Cosmic 2½ or Galaxy 2½- 5 lb Extinguisher
	6114P __	24	30	8	-	-	25	31	7 3/8	4	4	4	HOSE RACK: 2-1/2" x 1-1/2" Hose Rack Unit 50 or 75' Hose (HRA050B-2.5, HRA075B-2.5)
	6414P __	24	34 3/4	8	-	-	25	35 3/4	7 3/8	4	4	4	HOSE RACK: 2-1/2" x 1-1/2" Hose Rack Unit 100' Hose (HRA100B-2.5)
	6614P __	24	38 3/4	8	-	-	25	39 3/4	7 3/8	4	4	4	HOSE RACK: 2-1/2" x 1-1/2" Hose Rack Unit 125' Hose (HRA125B-2.5)
	6314P __	30	30	8	-	-	31	31	7 3/8	4	4	4	HOSE RACK & FD VALVE OR EXTINGUISHER: 1-1/2" OR 2-1/2" Valve; 50' or 75' Hose Rack Unit Plus FD Valve or Cosmic or Galaxy Fire Exting.
	6514P __	32 3/4	34 3/4	8	-	-	33 3/4	35 3/4	7 3/8	4	4	4	HOSE RACK & FD VALVE OR EXTINGUISHER: 1-1/2" OR 2-1/2" Valve, 100' Hose Rack Unit Plus FD Valve or Cosmic or Galaxy Fire Extinguisher
	7214P __	32 3/4	38 3/4	8	-	-	33 3/4	39 3/4	7 3/8	4	4	4	HOSE RACK & FD VALVE OR EXTINGUISHER: 1-1/2" OR 2-1/2" Valve, 125' Hose Rack Unit Plus FD Valve or Cosmic or Galaxy Fire Extinguisher
	8514P __	18	18	8	-	-	19	19	7 3/8	4	9	4	FIRE DEPARTMENT VALVE: 1-1/2" or 2-1/2" Fire Department Valve with Cap and Chain
	8414P __	18	18	10	-	-	19	19	9 3/8	5	9	5	
	8714P __	26	26	8	-	-	27	27	7 3/8	4	13	4	DUAL SIDE BY SIDE FD VALVES & EXTINGUISHER OR 2 FD VALVES: 1-1/2" or 2-1/2" with Cap and Chain Plus Exting. - Cosmic & Galaxy 2-1/2 to 10
	8614P __	26	26	10	-	-	27	27	9 3/8	5	13	5	
	8014P __	16	40	9	-	-	17	41	8 3/8	4 1/4	4	4 1/4	DUAL EXTINGUISHER & FD VALVE CABINET: Cosmic or Galaxy Fire Extinguisher

It is the responsibility of the customer to communicate specifications and product performance requirements that are needed for their application. This document is intended to convey potential product configurations and offerings. It is not to be used to imply or represent a specification or rating, of finished products shipped. Detailed, specific submittals can be created upon request. It is the responsibility of the customer to specify product accordingly to comply with local laws, codes, and ordinances.