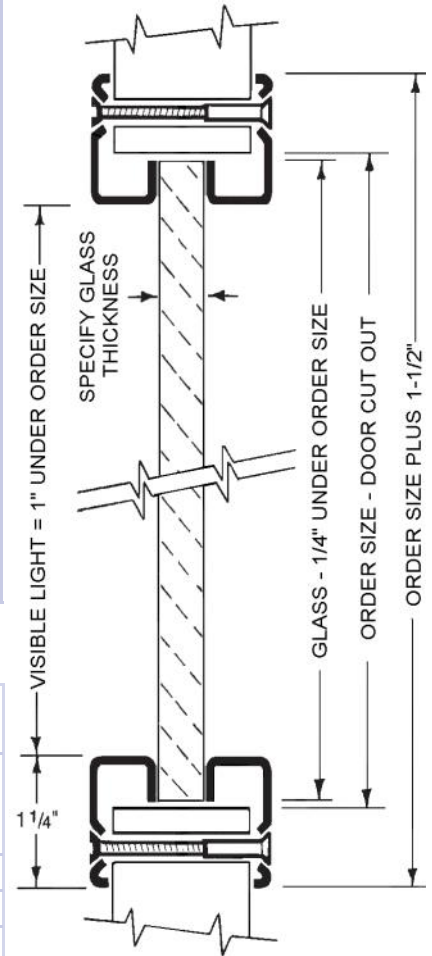
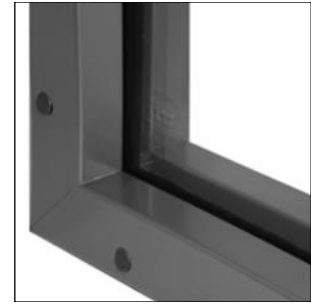


# VISION LITE FOR 5/16" TO 1-11/16" GLASS & UP TO 3" DOOR: VLFIG™

Square Profile Vision Lite for Glass Thicker than 5/16" - Recommended for Applications Requiring Fire-Rated, Safety, and/or Insulated Glazing up to 1-11/16" Thick.

## SPECIFICATIONS:

<b>Material:</b>	18 gauge CRS frame. Min. size 4" x 4", max 60" x 104". See Fire Rating Below.
<b>Construction:</b>	1-1/4" trim with mitered and welded corners, square return with countersunk mounting holes on both sides.
<b>Door:</b>	For 1" - 3" thick. Specify door thickness: _____ <b>Door cutout = order size.</b>
<b>Fasteners:</b>	#8 x 32 flathead Phillips head thru-bolts with blank head one side to match finish.
<b>Powder Coat Finishes:</b>	<input type="checkbox"/> (B) Mineral Bronze (standard color) <input type="checkbox"/> (BK) Black <input type="checkbox"/> (FB) Flat Black <input type="checkbox"/> (W) White <input type="checkbox"/> (SB) SC Beige <input type="checkbox"/> (SI) Silver <input type="checkbox"/> (BA) Brass <input type="checkbox"/> (S) Sand <input type="checkbox"/> (G) Gray <input type="checkbox"/> (AB) AMS Beige <a href="#">View Colors Online</a>
<b>Glass:</b>	<p><b>Glass Thickness:</b> _____ " <b>Will Be Used for this Order</b>  <b>Visible light is 1" under rough opening size. Glass is 1/4" under order size.</b></p> <p>Glazing to be ordered separately from glazing submittals. If glazing is being provided by a supplier other than Air Louvers, coordinate with the supplier to ensure compatibility with IG kits.</p> <p><b>Compatible Air Louvers Glazing: KFRL, KFRU, CT60, CT90, ARM, LEAD.</b>  <b>Also Compatible with Non 1-3/4" Doors: WS, PYRO, PPF, KFRF.</b></p> <p>Use fire rated glazing with Warnock Hersey (WHI) or UL classification markings for fire rated applications.</p>
<b>Fire-Rating, Testing &amp; Listings:</b>	When installed in properly rated and approved door, ratings up to 3 hours can be achieved, depending on the glazing used. See glazing ratings for max exposed area. Tested and Listed for UL 10C and Criteria of UBC 7-2 Positive Pressure. See detailed installation instructions.



## OPTIONS AT ADDITIONAL COST:




<b>UBC 7-2 Installation:</b>	<input type="checkbox"/> Additional intumescent tape for <b>Positive Pressure UL10C</b> . See detailed installation instructions.
<b>Finishes &amp; Materials:</b>	<input type="checkbox"/> (S) 18 Gauge Stainless Steel: #4 Finish. <input type="checkbox"/> (G) Galvanneal <input type="checkbox"/> (E) Zinc Plated
<b>Mullions:</b>	Factory welded to vision lite & painted. See Mullions Page in this section to order.
<b>Fasteners:</b>	<input type="checkbox"/> Torx <input type="checkbox"/> Other: _____
<b>Privacy Screen:</b>	Add the Velo Privacy Screen to This Vision Lite— <a href="#">See Web Page for Details</a>
<b>Custom:</b>	PAK, leadlined or special orders—contact customer service

Order Format: VLFIG

Option S,G,E W H Color Glass Thickness

Example: VLFIG 1227 BK 01

Interpretation of Fire and Building Codes May Vary. Consult with the Local Authority Having Jurisdiction (AHJ) to determine appropriate standards.

 <p><b>AIR LOUVERS</b></p> <p>© 2023 Activar Construction Products Group, Inc.</p>	<b>Distributor:</b> _____	<b>Width:</b> _____ x <b>Height:</b> _____
	<b>Architect:</b> _____	<b>Quantity:</b> _____ <b>Door Thickness:</b> _____
	<b>Contractor:</b> _____	<b>M Glass Thickness:</b> _____
	<b>Project:</b> _____	<b>Date:</b> _____ <b>Version:</b> 11/17/23
<p>800-554-6077 <a href="mailto:QUOTES@ACTIVARCPG.COM">QUOTES@ACTIVARCPG.COM</a> <a href="mailto:ORDERS@ACTIVARCPG.COM">ORDERS@ACTIVARCPG.COM</a> <a href="mailto:SALES@ACTIVARCPG.COM">SALES@ACTIVARCPG.COM</a></p> <p><b>WWW.ACTIVARCPG.COM</b></p> <p>MFG: COMMERCE CA, BLOOMINGTON, MN • WAREHOUSES: SEE WEBSITE FOR LOCATIONS</p>		