

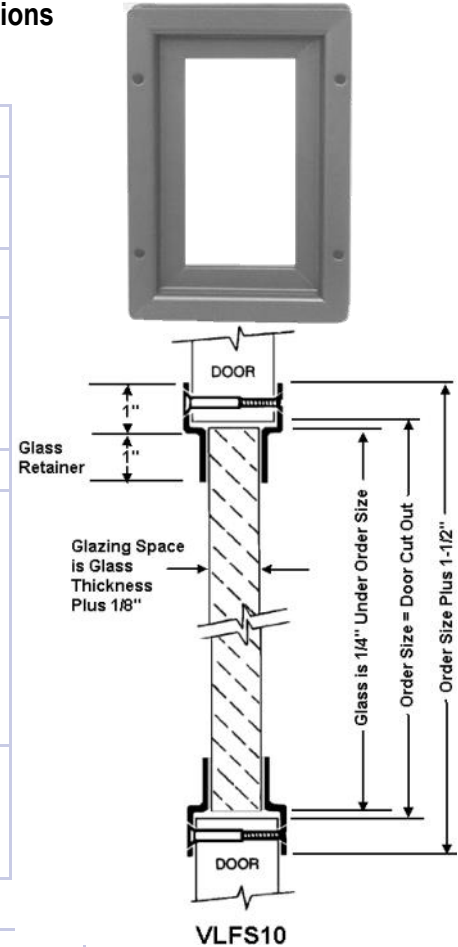
# 10 GAUGE SECURITY VISION LITE: VLFS10™ & VLFS10SP™

Security & Detention Vision Frame - Optional Speaker Port. Accommodates Glazing 1/4" - 1-11/16"  
Including Our Bullet-Resistant Glazing Selections

## SPECIFICATIONS:



<b>Material:</b>	10 gauge CRS frame and 10 gauge perforated steel panel. Min size 4" x 4", Max 48" x 48". See Fire Rating Below.
<b>Construction:</b>	1-1/4" trim with mitered and welded corners, countersunk mounting holes both sides, and 1" wide glazing retainer.
<b>Door:</b>	For 1-3/8" to 3" thick door. Specify door thickness: ____ Door cutout = order size. <b>Note:</b> If glass thickness > door thickness, frame will be designed to fit the glass.
<b>Powder Coat Finishes:</b>	____ (B) Mineral Bronze (standard color) <b>View Colors Online</b> ____ (BK) Black ____ (FB) Flat Black ____ (W) White ____ (BA) Brass ____ (SB) SC Beige ____ (SI) Silver ____ (S) Sand ____ (AB) AMS Beige ____ (G) Gray
<b>Fasteners:</b>	#8 x 32 Torx head security binder bolt with blank head one side to match finish.
<b>Glass:</b>	____ " <b>Glass Thickness Will Be Used for this Order.</b> <b>Visible light is 2-1/2" under rough opening size. Glass is 1/4" under order size.</b> 1/4" - 1 11/16" glazing to be <b>ordered separately</b> from <b>Glazing Section</b> of catalog. If glazing is being provided by a supplier other than Air Louvers, coordinate with the supplier to ensure compatibility with IG kits. See note in Door section above. Use fire rated glazing with Warnock Hersey (WHI) or UL classification markings for fire rated applications. <b>Compatible Air Louvers Glazing: WS, PPF, KERE, KERL, KERU, CT60, CT90, ARM</b>
<b>Fire-Rating, Testing &amp; Listings:</b>	When installed in properly rated and approved door, ratings up to 90 minutes can be achieved for model VLFS10 only, depending on the glazing used. See glazing ratings for max exposed area. Tested and Listed for UL 10C and Criteria of UBC 7-2 Positive Pressure. VLFS10SP not fire-rated.



## OPTIONS AT ADDITIONAL COST:

<b>Finishes &amp; Materials:</b>	____ (G) Galvanneal ____ (E) Zinc Plated
<b>Fasteners:</b>	____ Other: _____
<b>Speaker Panel/ Glass Combination:</b>	____ (S10SP) 10 gauge CRS frame and 11 gauge perforated steel speaker panel with staggered holes. Includes dual offset baffle of 22 gauge CRS. Speaker panel not fire, or pressure-rated. <b>Complete Info Below:</b> ____ W x ____ H <b>Glass</b> ____ W x ____ H <b>Speaker Panel</b> — Glass & Speaker Panel Width is equal to Order Width Minus 1/4". Speaker Panel Height is equal to the Order Height Minus 1", Minus the Glass Height. <b>Example:</b> if order size is 7" x 21", glass could be 6-3/4" x 10" & Speaker Panel could be 6-3/4" x 10".
<b>Privacy Screen:</b>	Add the Velo Privacy Screen to This Vision Lite— <a href="#">See Web Page for Details</a>
<b>Custom:</b>	Contact customer service for special orders.



**S10SP With Optional Speaker Panel**

Order Format: VLFS10

Example: VLFS10 1212G 01

Option G,E W H Color Glass Thickness

Interpretation of Fire and Building Codes May Vary. Consult with the Local Authority Having Jurisdiction (AHJ) to determine appropriate standards.

<p>© 2021 Activar Construction Products Group, Inc.</p>	<b>Distributor:</b> _____	<b>Width:</b> ____ x <b>Height:</b> ____
	<b>Architect:</b> _____	<b>Quantity:</b> ____ <b>Door Thickness:</b> ____
	<b>Contractor:</b> _____	<b>M Glass Thickness:</b> ____
	<b>Project:</b> _____	<b>Date:</b> ____ <b>Version:</b> 7/12/2021
<p>800-554-6077 <a href="mailto:QUOTES@ACTIVARCPG.COM">QUOTES@ACTIVARCPG.COM</a> <a href="mailto:ORDERS@ACTIVARCPG.COM">ORDERS@ACTIVARCPG.COM</a> <a href="mailto:SALES@ACTIVARCPG.COM">SALES@ACTIVARCPG.COM</a></p> <p>VISIT <a href="http://WWW.ACTIVARCPG.COM">WWW.ACTIVARCPG.COM</a> FOR THE MOST UPDATED PRODUCT INFORMATION BEFORE ORDERING</p> <p>MFG: COMMERCE CA, BLOOMINGTON, MN • WAREHOUSES: SEE WEBSITE FOR LOCATIONS</p>		